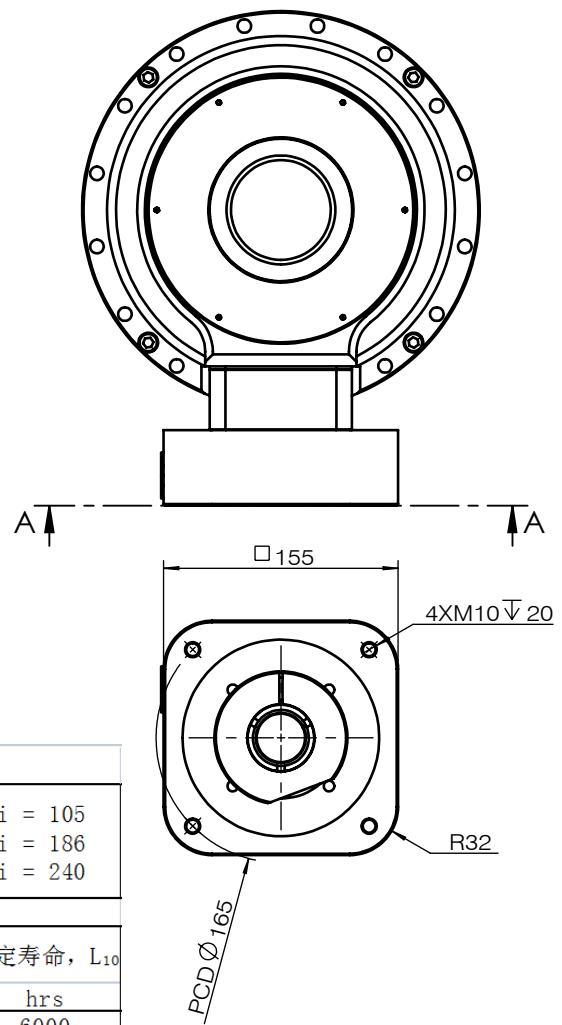
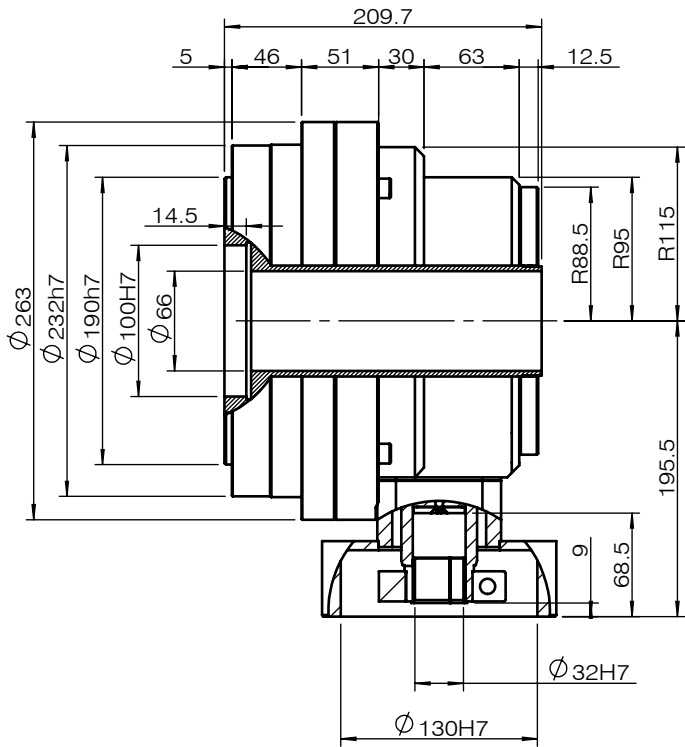
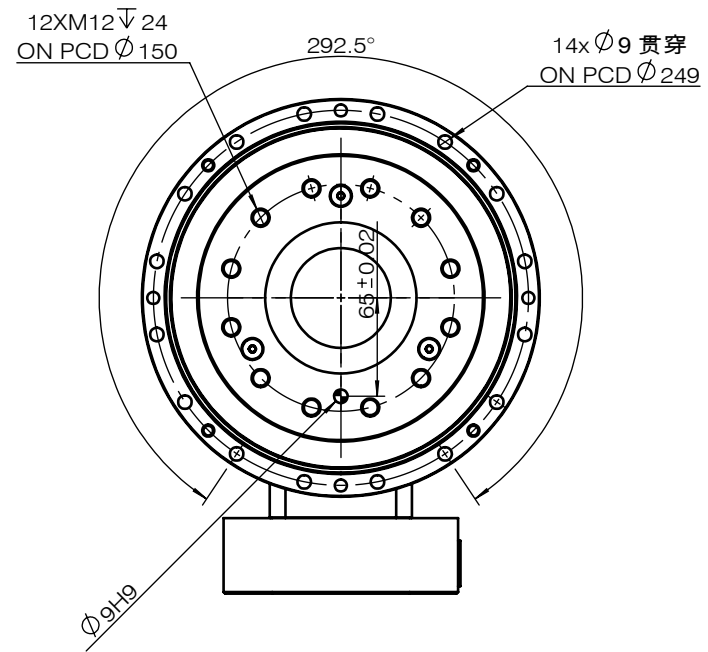


DR120C-XX-LF-35-130



| DR120C-XX-LF-35-130 |            |              |            |                  |            |             |         |                       |
|---------------------|------------|--------------|------------|------------------|------------|-------------|---------|-----------------------|
| 额定输出<br>扭矩          | 额定输出<br>转速 | 最大平均输出<br>扭矩 | 加/减速<br>扭矩 | 瞬时扭矩<br>(惯性冲击)   | 最大输出<br>转速 | 扭转刚性        | i = 90  | i = 105               |
| Nm                  | rpm        | Nm           | Nm         | Nm               | rpm        | Nm/arc. min | i = 132 | i = 186               |
| 1196                | 15         | 2070         | 2957       | 5913             | 45         | 326         | i = 210 | i = 240               |
| 背隙                  | 空回         | 倾覆刚性         | 倾覆力矩       | 瞬时倾覆力矩<br>(惯性冲击) | 轴向载荷       | 径向载荷        | 质量      | 额定寿命, L <sub>10</sub> |
| arc. min            | arc. min   | Nm/arc. min  | Nm         | Nm               | N          | N           | kg      | hrs                   |
| 1 max.              | 1 max.     | 1499         | 2998       | 4497             | 9113       | 27255       | 39.5    | 6000                  |

Material: surface area m<sup>2</sup>

Treatments:

3rd ANGLE PROJECTION

ousidunrv

东莞晶道机器人科技有限公司

TITLE: DR-C Series type

SIZE: A4 DWG NO. DR120C-XX-LF-35-130

NOT TO SCALE SHEET 1 OF 1