

精密行星减速机

Precision Planetary Reducer



其优势在于：此款行星减速机集创新、高效和品质于一身，无论转矩、同步性还是运行噪音等，达到效率最大化。

The advantage is that this planetary reducer combines innovation, efficiency and quality, maximizing efficiency regardless of torque, synchronism or running noise.

TECHMECH DRIVES THE FUTURE

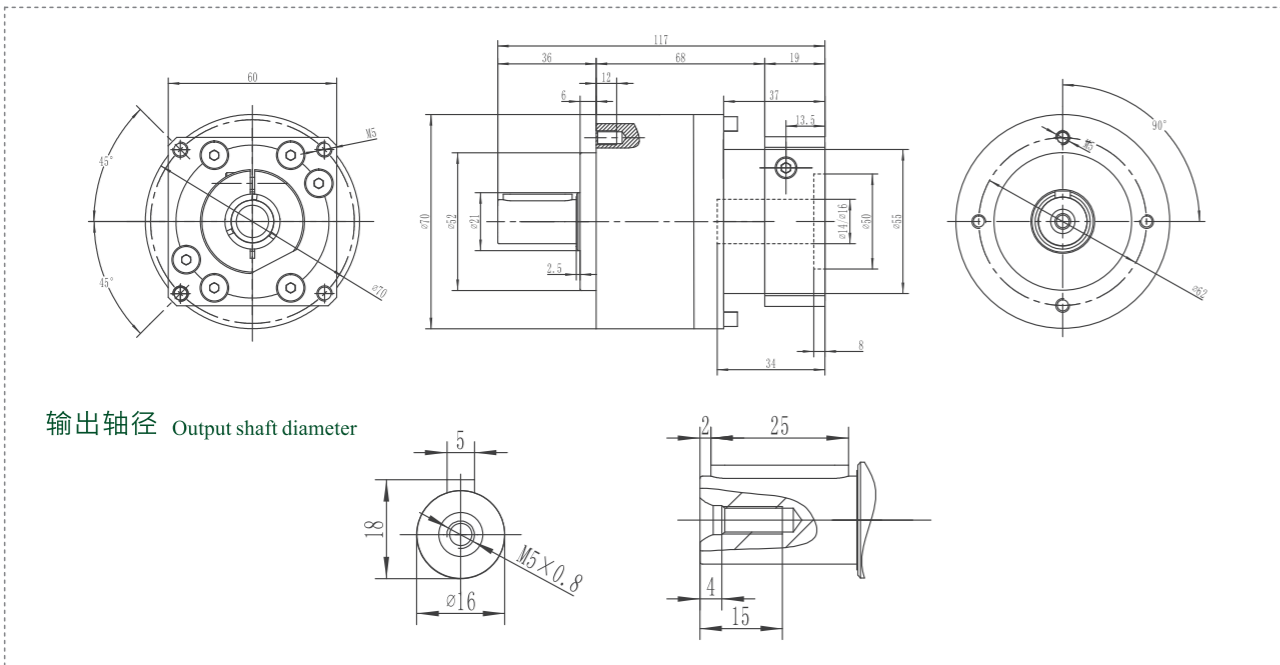
钛科玛格 传动未来



TE070系列* TE070 Single stage

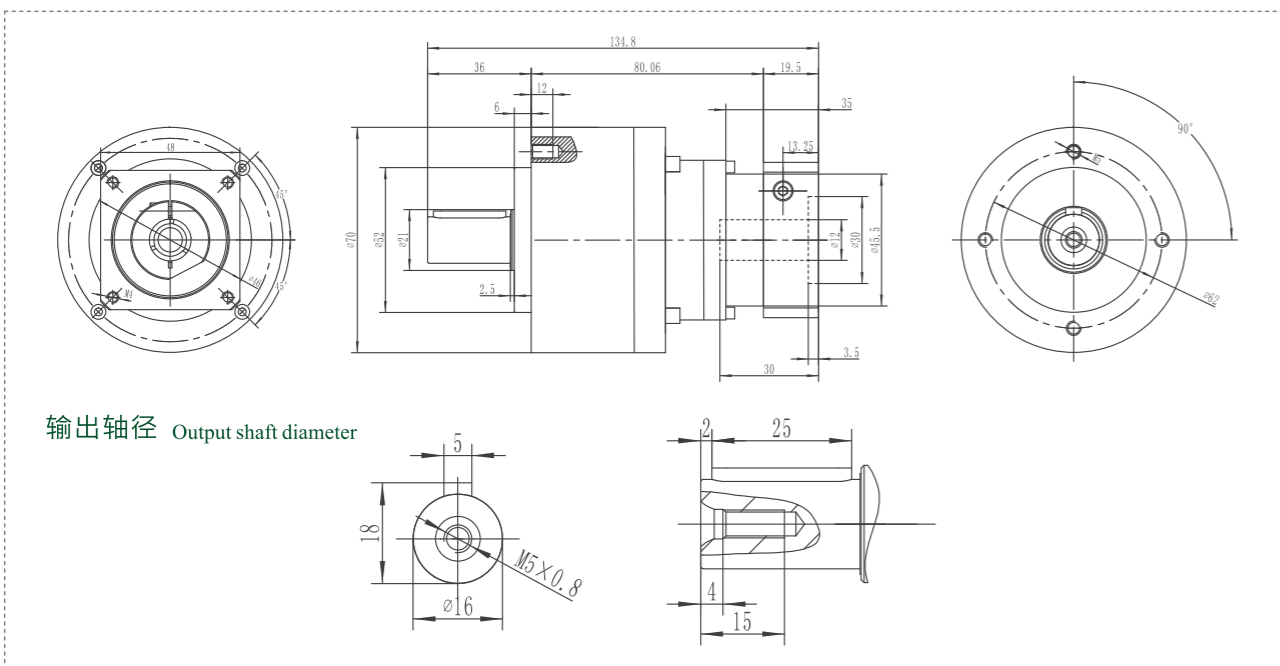
外形尺寸表

TE070单节* TE070 One Stage



输出轴径 Output shaft diameter

TE070双节* TE070 Two Stage



输出轴径 Output shaft diameter

性能资料 Performance data

TE系列减速机凭借标准化的法兰接口，该行星减速机的安装极其简便，在性能上有所提升，它经济实用，而且产生的热量极少。

TE series Thanks to the standardized flange connection, the planetary reducer is extremely easy to install and has an improved performance. It is economical and produces very little heat.

TE070		单节 One Stage										双节 Two Stage										
速比 Speed Ratio	i		3	4	5	6	7	8	10	15	20	25	30	35	40	50	60	70	80	100		
额定输出转矩 Rated Output Torque	T ₁	Nm	55	50	60	55	50	45	40	55	50	60	55	50	45	60	55	50	45	40		
急停扭矩 Emergency Stop Torque	T ₂	Nm	T ₁ × 3										T ₁ × 3									
额定输入转速 Rated Input Speed	S ₁	rpm	5000										5000									
最大输入转速 Maximum Input Speed	S ₂	rpm	10000										10000									
最大输出转矩 Maximum Output Torque	T ₄	Nm	T ₁ × 3 × 60%										T ₁ × 3 × 60%									
最大径向力 Maximum Radial Force	F _a	N	765										765									
最大轴向力 Maximum Axial Force	F _b	N	1377										1377									
扭转刚性 Torsional Rigidity	-	Nm/arcmin	7										7									
效率 Effectiveness	β	%	≥97%										≥94%									
寿命 Life	☑	h	20000h										20000h									
反馈噪音 Feedback Noise	☑	dB	≤58dB										≤58dB									
重量 Weight	☑	Kg	1.4										1.6									
回程间隙 Return Gap	P0		-										-									
	P1	arcmin	≤3										≤3									
	P2		≤5										≤5									
使用温度 Operating Temperature	☑	°C	-10°C~90°C										-10°C~90°C									
润滑 Lubricating	☑		合成油脂 Synthetic Grease										合成油脂 Synthetic Grease									
防护等级 Protection Level	☑		IP65										IP65									
安装方向 Installation Direction	☑		任意方向 Any Direction										任意方向 Any Direction									
传动惯量 Transmission Inertia	J	kg·cm ²	0.16	0.14					0.13											0.03		

依据说明:

- 1 变速比(i=S_{in}/S_{out})
- 2 结果输出转速100rpm时，作用于输出轴中心。
- 3 连续运转寿命10000h。
- 4 噪音值基于输入转速3000rpm, i=10所得。

According to the instructions:

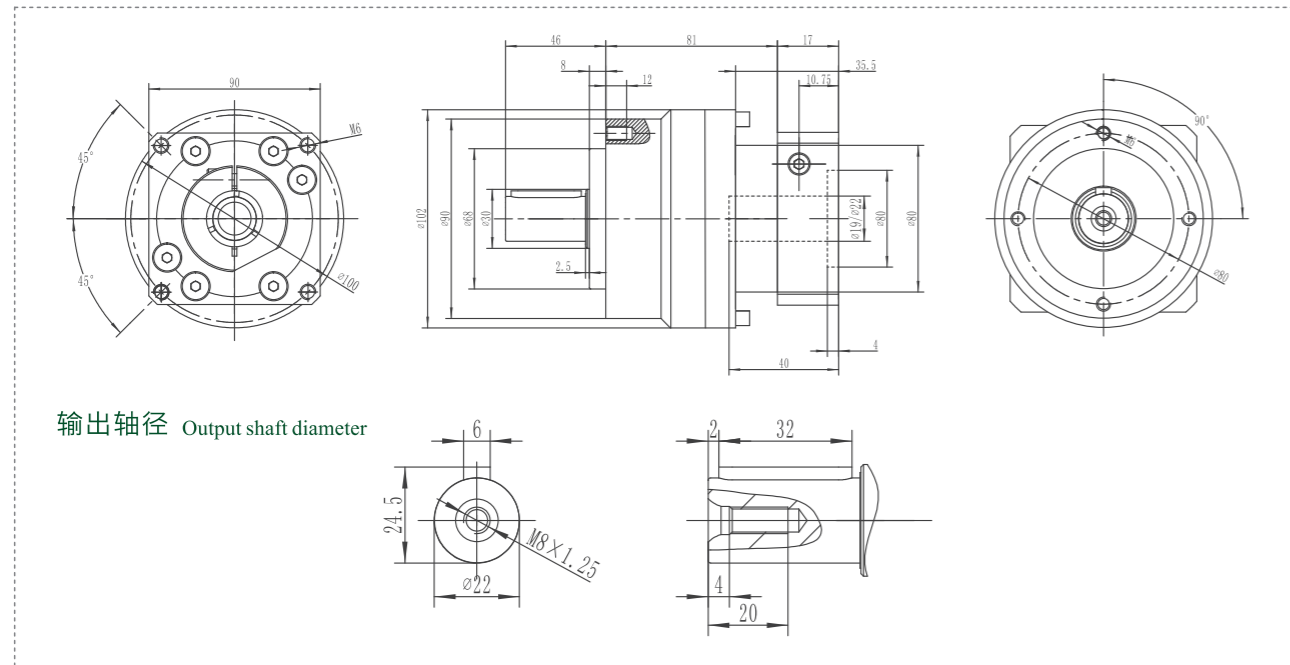
- 1 Speed ratio (i=S_{in}/S_{out})
- 2 As a result, when the output speed is 100 rpm, it acts on the center of the output shaft.
- 3 Continuous operation life of 10000h.
- 4 The noise value was obtained based on the input rotational speed of 3000 rpm, i=10.

此样本中的所有产品型号及参数如有变更恕不另行通告，订货前请与本公司确认。
All product models and parameters in this sample are subject to change without prior notice. Please confirm with the company before ordering.

TE090系列* TE090 Single stage

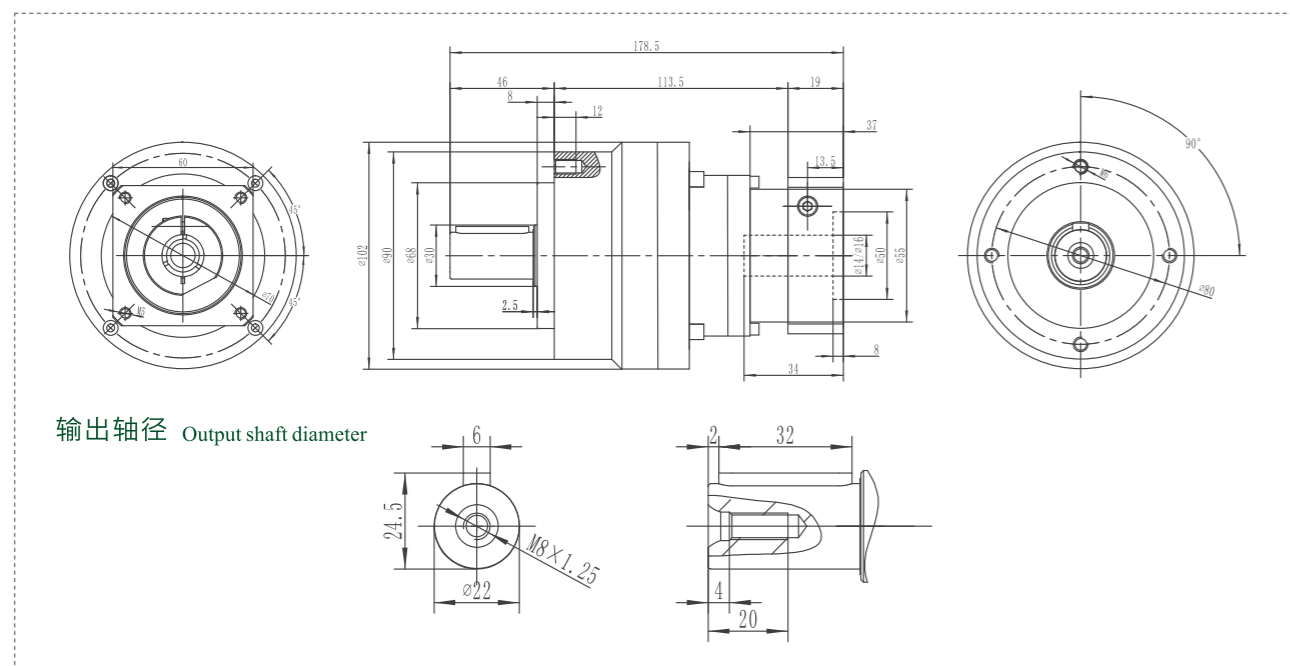
外形尺寸表

TE090单节* TE090 One Stage



输出轴径 Output shaft diameter

TE090双节* TE090 Two Stage



输出轴径 Output shaft diameter

性能资料 Performance data

TE系列减速机凭借标准化的法兰接口，该行星减速机的安装极其简便，在性能上有所提升，它经济实用，而且产生的热量极少。

TE series Thanks to the standardized flange connection, the planetary reducer is extremely easy to install and has an improved performance. It is economical and produces very little heat.

TE090		单节 One Stage										双节 Two Stage										
速比 Speed Ratio	i		3	4	5	6	7	8	10	15	20	25	30	35	40	50	60	70	80	100		
额定输出转矩 Rated Output Torque	T ₁	Nm	130	140	160	150	140	120	100	130	140	160	150	140	120	160	150	140	120	100		
急停扭矩 Emergency Stop Torque	T ₂	Nm	T ₁ ×3										T ₁ ×3									
额定输入转速 Rated Input Speed	S ₁	rpm	4000										4000									
最大输入转速 Maximum Input Speed	S ₂	rpm	8000										8000									
最大输出转矩 Maximum Output Torque	T ₄	Nm	T ₁ ×3×60%										T ₁ ×3×60%									
最大径向力 Maximum Radial Force	F _a	N	1625										1625									
最大轴向力 Maximum Axial Force	F _b	N	2985										2985									
扭转刚性 Torsional Rigidity	-	Nm/arcmin	14										14									
效率 Effectiveness	β	%	≥97%										≥94%									
寿命 Life	☒	h	20000h										20000h									
反馈噪音 Feedback Noise	☒	dB	≤60dB										≤60dB									
重量 Weight	☒	Kg	3.3										4.7									
回程间隙 Return Gap	P0		-										-									
	P1	arcmin	≤3										≤3									
	P2		≤5										≤5									
使用温度 Operating Temperature	☒	°C	-10°C~90°C										-10°C~90°C									
润滑 Lubricating	☒		合成油脂 Synthetic Grease										合成油脂 Synthetic Grease									
防护等级 Protection Level	☒		IP65										IP65									
安装方向 Installation Direction	☒		任意方向 Any Direction										任意方向 Any Direction									
传动惯量 Transmission Inertia	J	kg·cm ²	0.61	0.48	0.47	0.45	0.44											0.13				

依据说明:

- 1 变速比(i=S_{in}/S_{out})
- 2 结果输出转速100rpm时，作用于输出轴中心。
- 3 连续运转寿命10000h。
- 4 噪音值基于输入转速3000rpm, i=10所得。

According to the instructions:

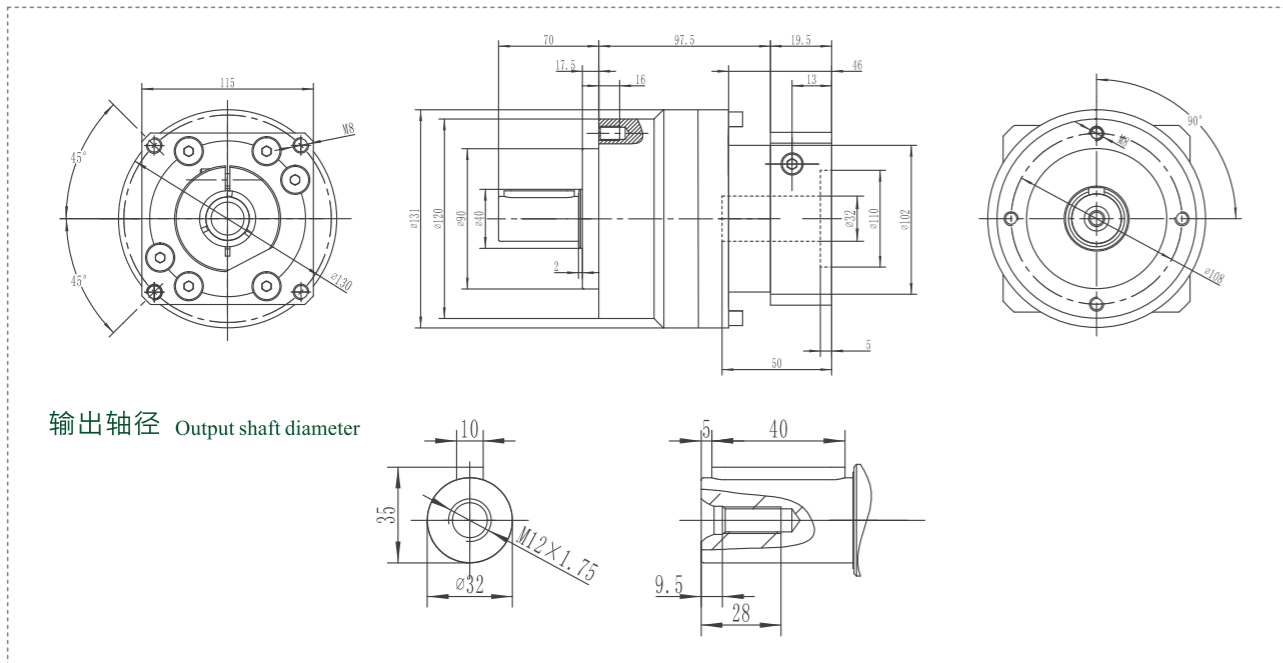
- 1 Speed ratio (i=S_{in}/S_{out})
- 2 As a result, when the output speed is 100 rpm, it acts on the center of the output shaft.
- 3 Continuous operation life of 10000h.
- 4 The noise value was obtained based on the input rotational speed of 3000 rpm, i=10.

此样本中的所有产品型号及参数如有变更恕不另行通告，订货前请与本公司确认。
All product models and parameters in this sample are subject to change without prior notice. Please confirm with the company before ordering.

TE120系列* TE120 Single stage

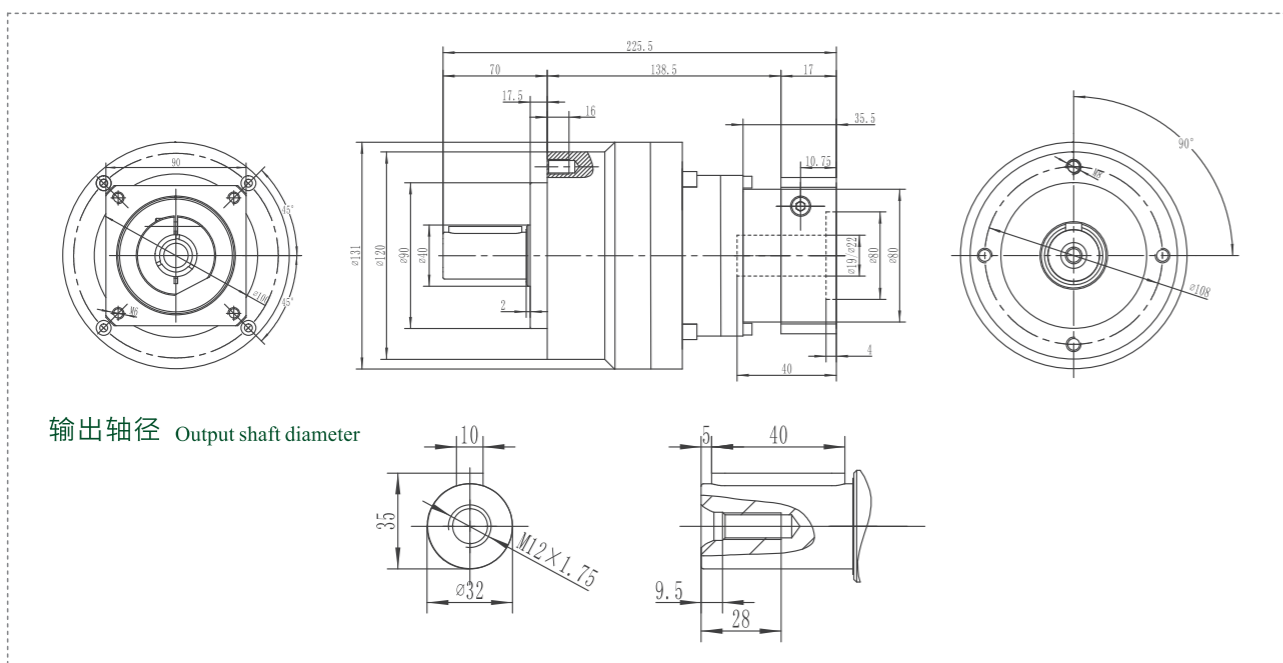
外形尺寸表

TE120单节* TE120 One Stage



输出轴径 Output shaft diameter

TE120双节* TE120 Two Stage



输出轴径 Output shaft diameter

性能资料 Performance data

TE系列减速机凭借标准化的法兰接口，该行星减速机的安装极其简便，在性能上有所提升，它经济实用，而且产生的热量极少。

TE series Thanks to the standardized flange connection, the planetary reducer is extremely easy to install and has an improved performance. It is economical and produces very little heat.

TE120		单节 One Stage										双节 Two Stage																	
速比 Speed Ratio	i		3	4	5	6	7	8	10	15	20	25	30	35	40	50	60	70	80	100									
额定输出转矩 Rated Output Torque	T ₁	Nm	208	290	330	310	300	260	230	208	290	330	310	300	260	330	310	300	260	230									
急停扭矩 Emergency Stop Torque	T ₂	Nm	T ₁ ×3										T ₁ ×3																
额定输入转速 Rated Input Speed	S ₁	rpm	4000										4000																
最大输入转速 Maximum Input Speed	S ₂	rpm	8000										8000																
最大输出转矩 Maximum Output Torque	T ₄	Nm	T ₁ ×3×60%										T ₁ ×3×60%																
最大径向力 Maximum Radial Force	F _a	N	3350										3350																
最大轴向力 Maximum Axial Force	F _b	N	6100										6100																
扭转刚性 Torsional Rigidity	-	Nm/arcmin	25										25																
效率 Effectiveness	β	%	≥97%										≥94%																
寿命 Life	☒	h	20000h										20000h																
反馈噪音 Feedback Noise	☒	dB	≤63dB										≤63dB																
重量 Weight	☒	Kg	6.9										8.7																
回程间隙 Return Gap	P0		-										-																
	P1	arcmin	≤3										≤3																
	P2		≤5										≤5																
使用温度 Operating Temperature	☒	°C	-10°C~90°C										-10°C~90°C																
润滑 Lubricating	☒		合成油脂 Synthetic Grease										合成油脂 Synthetic Grease																
防护等级 Protection Level	☒		IP65										IP65																
安装方向 Installation Direction	☒		任意方向 Any Direction										任意方向 Any Direction																
传动惯量 Transmission Inertia	J	kg·cm ²	3.25	2.74	2.71	2.65	2.62	2.58	2.57	0.47										0.44									

依据说明:

- 1 速比(i=S_{in}/S_{out})
- 2 结果输出转速100rpm时，作用于输出轴中心。
- 3 连续运转寿命10000h。
- 4 噪音值基于输入转速3000rpm, i=10所得。

According to the instructions:

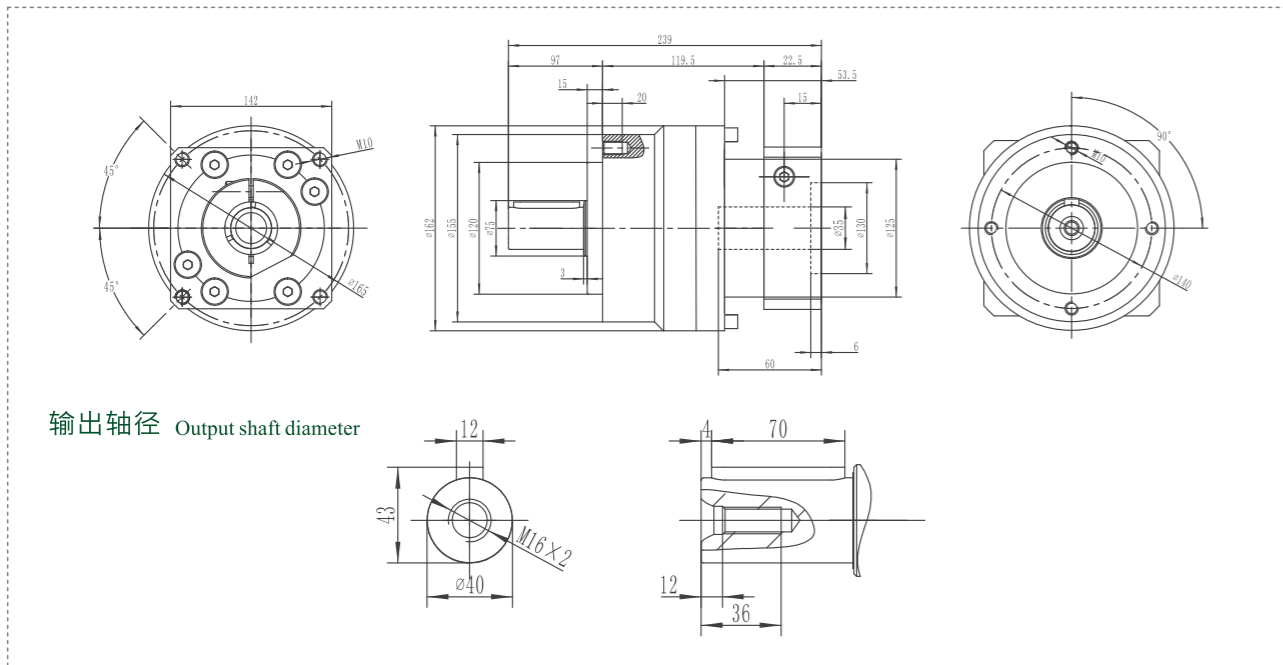
- 1 Speed ratio (i=S_{in}/S_{out})
- 2 As a result, when the output speed is 100 rpm, it acts on the center of the output shaft.
- 3 Continuous operation life of 10000h.
- 4 The noise value was obtained based on the input rotational speed of 3000 rpm, i=10.

此样本中的所有产品型号及参数如有变更恕不另行通告，订货前请与本公司确认。
All product models and parameters in this sample are subject to change without prior notice. Please confirm with the company before ordering.

TE155系列* TE155 Single stage

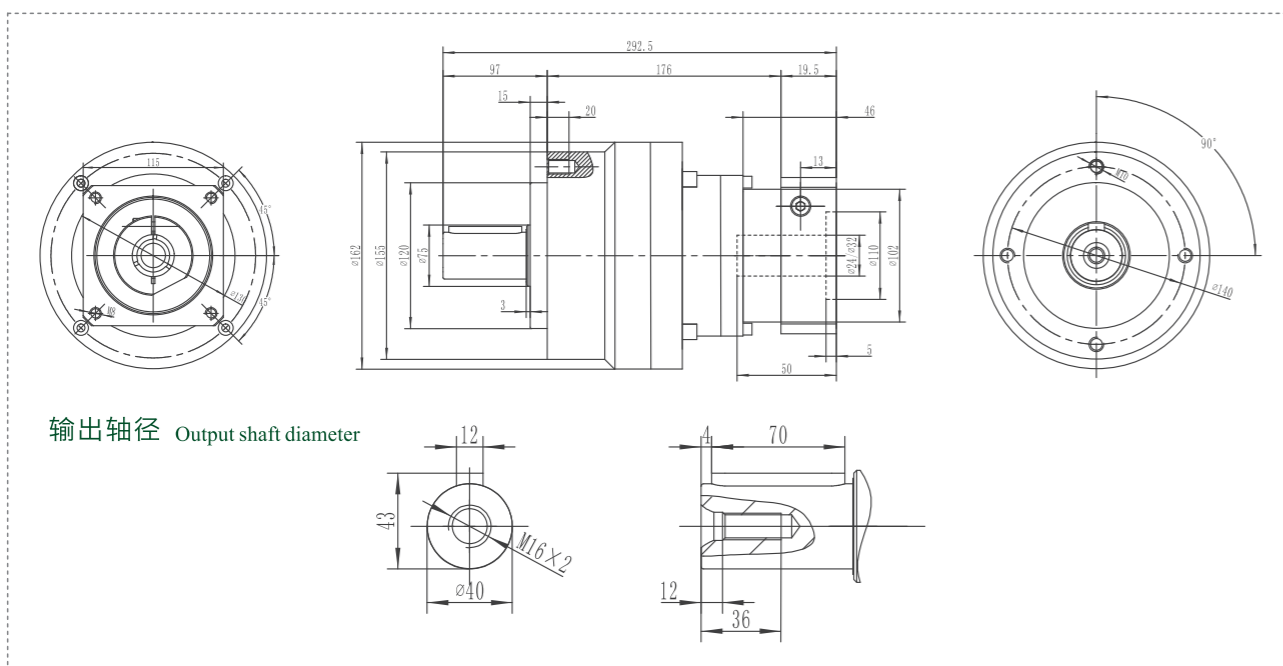
外形尺寸表

TE155单节* TE155 One Stage



输出轴径 Output shaft diameter

TE155双节* TE155 Two Stage



输出轴径 Output shaft diameter

性能资料 Performance data

TE系列减速机凭借标准化的法兰接口，该行星减速机的安装极其简便，在性能上有所提升，它经济实用，而且产生的热量极少。

TE series Thanks to the standardized flange connection, the planetary reducer is extremely easy to install and has an improved performance. It is economical and produces very little heat.

TE155		单节 One Stage										双节 Two Stage										
速比 Speed Ratio	i		3	4	5	6	7	8	10	15	20	25	30	35	40	50	60	70	80	100		
额定输出转矩 Rated Output Torque	T ₁	Nm	342	542	650	600	550	500	450	342	542	650	600	550	500	650	600	550	500	450		
急停扭矩 Emergency Stop Torque	T ₂	Nm	T ₁ ×3										T ₁ ×3									
额定输入转速 Rated Input Speed	S ₁	rpm	3000										3000									
最大输入转速 Maximum Input Speed	S ₂	rpm	6000										6000									
最大输出转矩 Maximum Output Torque	T ₄	Nm	T ₁ ×3×60%										T ₁ ×3×60%									
最大径向力 Maximum Radial Force	F _a	N	4700										4700									
最大轴向力 Maximum Axial Force	F _b	N	8460										8460									
扭转刚性 Torsional Rigidity	-	Nm/arcmin	50										50									
效率 Effectiveness	β	%	≥97%										≥94%									
寿命 Life	☒	h	20000h										20000h									
反馈噪音 Feedback Noise	☒	dB	≤65dB										≤65dB									
重量 Weight	☒	Kg	13										17									
回程间隙 Return Gap	P0		-										-									
	P1	arcmin	≤3										≤3									
	P2		≤5										≤5									
使用温度 Operating Temperature	☒	°C	-10°C-90°C										-10°C-90°C									
润滑 Lubricating	☒		合成油脂 Synthetic Grease										合成油脂 Synthetic Grease									
防护等级 Protection Level	☒		IP65										IP65									
安装方向 Installation Direction	☒		任意方向 Any Direction										任意方向 Any Direction									
传动惯量 Transmission Inertia	J	kg·cm ²	9.21	7.54	7.42	7.25	7.14	7.07	7.03	2.71					2.57							

依据说明:

- ① 变速比(i=S_{in}/S_{out})
- ② 结果输出转速100rpm时，作用于输出轴中心。
- ③ 连续运转寿命10000h。
- ④ 噪音值基于输入转速3000rpm, i=10所得。

According to the instructions:

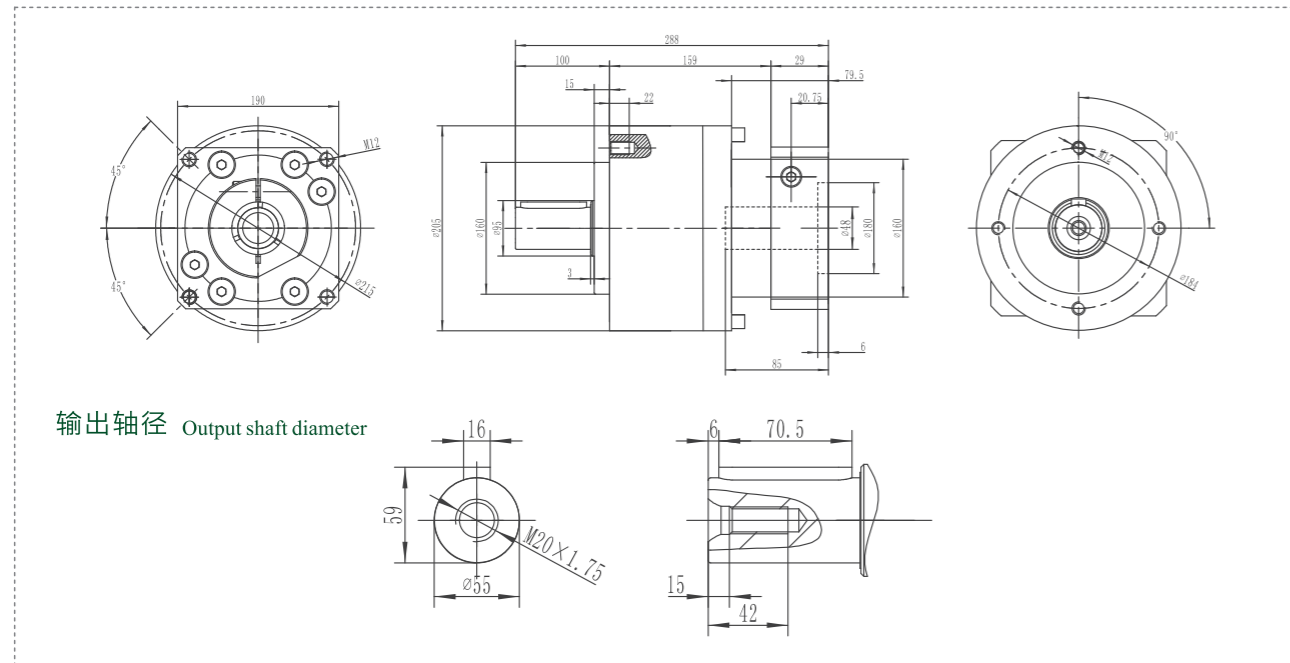
- ① Speed ratio (i=S_{in}/S_{out})
- ② As a result, when the output speed is 100 rpm, it acts on the center of the output shaft.
- ③ Continuous operation life of 10000h.
- ④ The noise value was obtained based on the input rotational speed of 3000 rpm, i=10.

此样本中的所有产品型号及参数如有变更恕不另行通告，订货前请与本公司确认。
All product models and parameters in this sample are subject to change without prior notice. Please confirm with the company before ordering.

TE205系列* TE205 Single stage

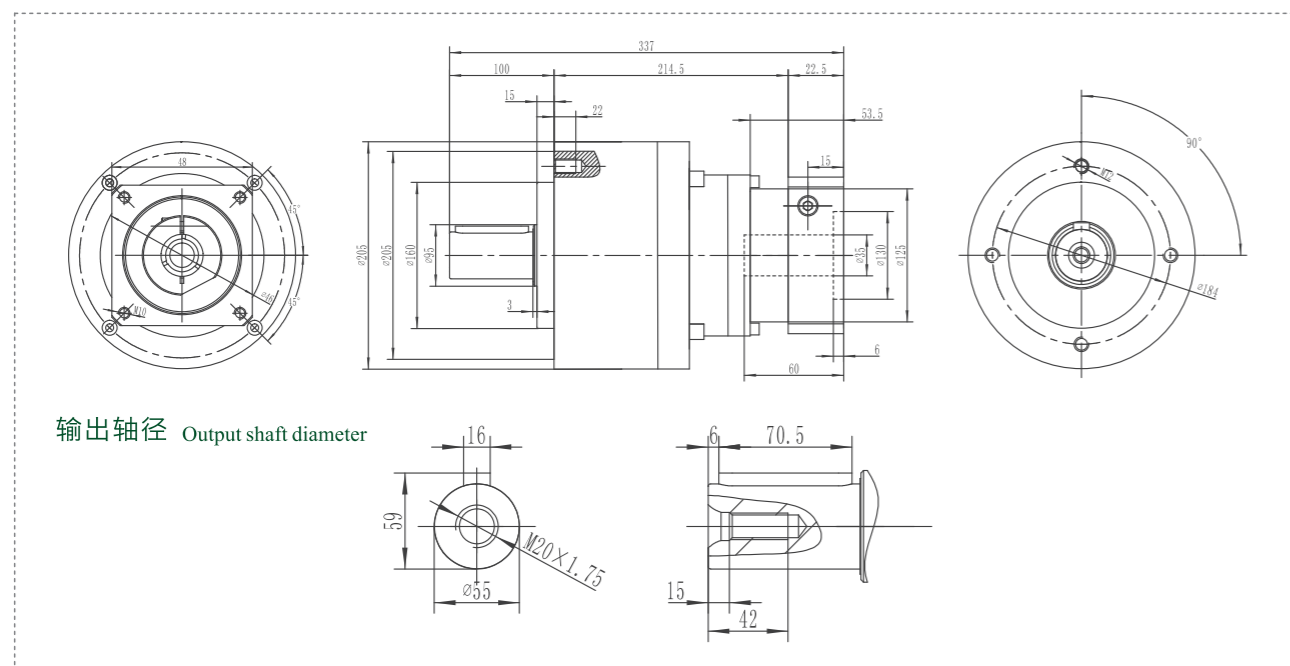
外形尺寸表

TE205单节* TE205 One Stage



输出轴径 Output shaft diameter

TE205双节* TE205 Two Stage



输出轴径 Output shaft diameter

性能资料 Performance data

TE系列减速机凭借标准化的法兰接口，该行星减速机的安装极其简便，在性能上有所提升，它经济实用，而且产生的热量极少。

TE series Thanks to the standardized flange connection, the planetary reducer is extremely easy to install and has an improved performance. It is economical and produces very little heat.

TE205		单节 One Stage										双节 Two Stage										
速比 Speed Ratio	i		3	4	5	6	7	8	10	15	20	25	30	35	40	50	60	70	80	100		
额定输出转矩 Rated Output Torque	T ₁	Nm	588	1050	1200	1100	1100	1000	900	588	1050	1200	1100	1100	1000	1200	1100	1100	1000	900		
急停扭矩 Emergency Stop Torque	T ₂	Nm	T ₁ ×3										T ₁ ×3									
额定输入转速 Rated Input Speed	S ₁	rpm	3000										3000									
最大输入转速 Maximum Input Speed	S ₂	rpm	6000										6000									
最大输出转矩 Maximum Output Torque	T ₄	Nm	T ₁ ×3×60%										T ₁ ×3×60%									
最大径向力 Maximum Radial Force	F _a	N	7250										7250									
最大轴向力 Maximum Axial Force	F _b	N	13050										13050									
扭转刚性 Torsional Rigidity	-	Nm/arcmin	145										145									
效率 Effectiveness	β	%	≥97%										≥94%									
寿命 Life	☒	h	20000h										20000h									
反馈噪音 Feedback Noise	☒	dB	≤67dB										≤67dB									
重量 Weight	☒	Kg	31										35									
回程间隙 Return Gap	P0		-										-									
	P1	arcmin	≤3										≤3									
	P2		≤5										≤5									
使用温度 Operating Temperature	☒	°C	-10°C~90°C										-10°C~90°C									
润滑 Lubricating	☒		合成油脂 Synthetic Grease										合成油脂 Synthetic Grease									
防护等级 Protection Level	☒		IP65										IP65									
安装方向 Installation Direction	☒		任意方向 Any Direction										任意方向 Any Direction									
传动惯量 Transmission Inertia	J	kg·cm ²	28.98	23.67	23.29	22.75	22.48	22.59	22.51	7.42					7.03							

依据说明:

- 1 变速比(i=S_{in}/S_{out})
- 2 结果输出转速100rpm时，作用于输出轴中心。
- 3 连续运转寿命10000h。
- 4 噪音值基于输入转速3000rpm, i=10所得。

According to the instructions:

- 1 Speed ratio (i=S_{in}/S_{out})
- 2 As a result, when the output speed is 100 rpm, it acts on the center of the output shaft.
- 3 Continuous operation life of 10000h.
- 4 The noise value was obtained based on the input rotational speed of 3000 rpm, i=10.

此样本中的所有产品型号及参数如有变更恕不另行通告，订货前请与本公司确认。
All product models and parameters in this sample are subject to change without prior notice. Please confirm with the company before ordering.