

专业制造高性价比 精密级滚珠丝杆



全国统一销售热线：400-0769-138



诺和精工 精密传动

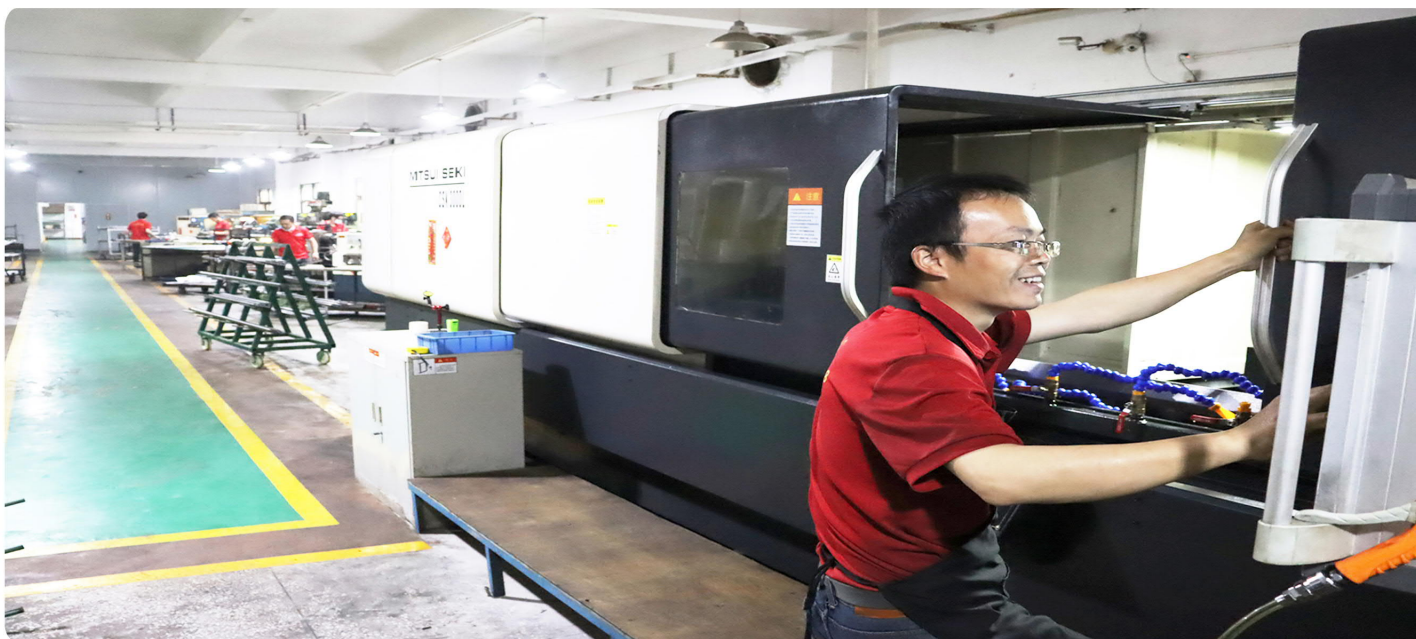
东莞市诺和滚珠丝杆有限公司

DONGGUAN NOVO BALL SCREW CO.,LTD.

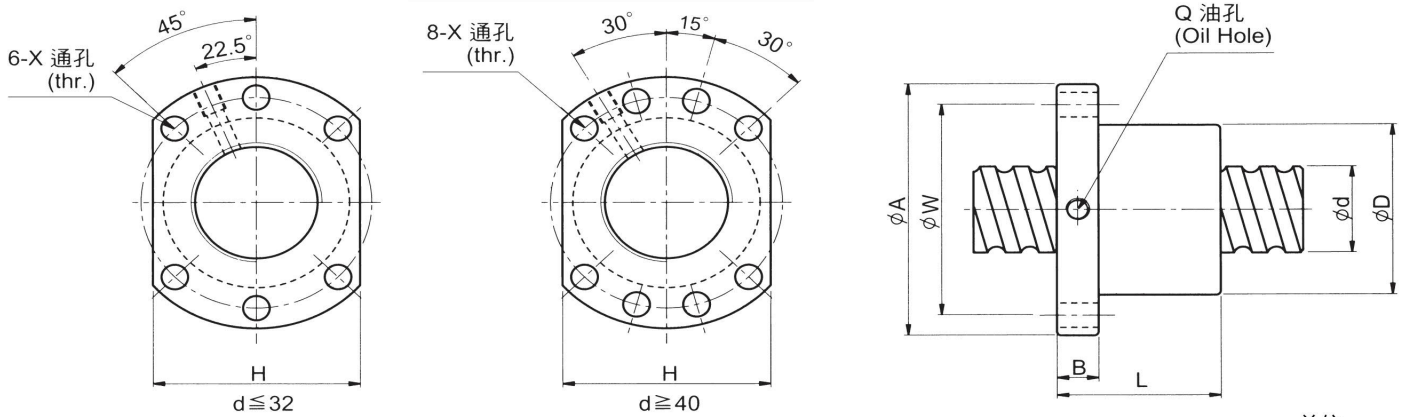
东莞市诺和滚珠丝杆有限公司成立于2010年是一家集研发、生产、销售、服务于一体的高新技术企业,ISO9001质量管理体系认证企业,12年专注研发生产高品质滚珠丝杆、研磨丝杆、直线导轨、直线模组等,型号齐全、库存充足、支持定制,工厂实力雄厚占地使用面积3000多平的独立式厂房,工厂坐落在东莞工业基地厚街白濠工业区虎门高铁站旁,交通十分便利,工厂员工50-100人,设有研发部、市场部、业务部、生产部、品检部等部门,工厂引进世界先进大型数控西门子内螺磨纹,数控旋风铣等专用设备30多台,采用国内外精湛的生产工艺,数条自动化流水线满足客户的各种需求,工厂内部有一群十几年业内资深工程师为客户提供优质的加工解决方案,优秀的售前售后人员及时跟踪回访产品使用情况,真正的做到售前售后服务一致,服务30000+机械企业,同行业中佼佼者,产品理念:以技术为导向 品质为核心。

服务理念：一诺千金 言出必行

企业使命：让全世界认识诺和/NOVO



SFU(DIN 69051 FORMB) 滚珠螺杆菌系列规格尺寸表

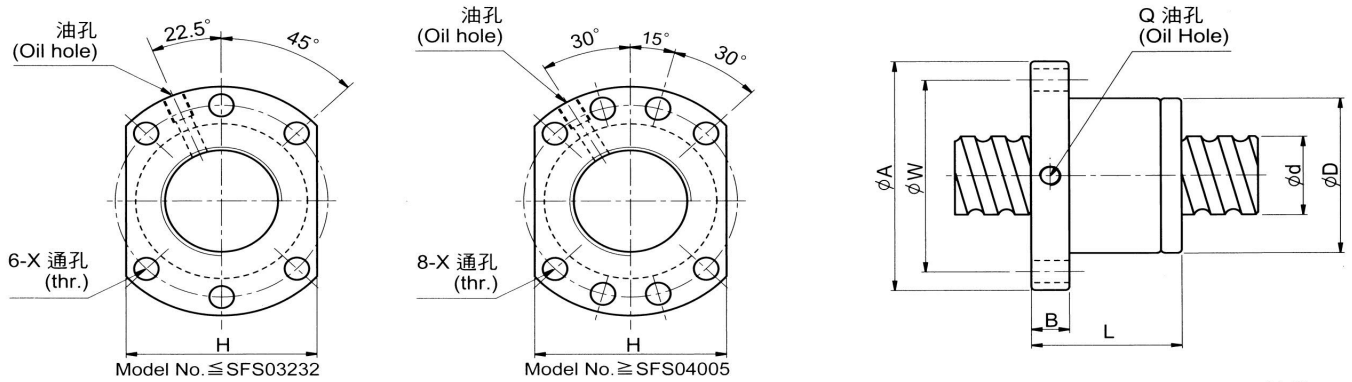


单位:mm

型号	轴径 d	导程 l	珠径 D_a	螺帽尺寸数据								动额定 负荷 C_a	静额定 负荷 C_oa	刚性 kgf/um	
				D	A	B	L	W	X	H	Q				n
SFU01204-4	12	4	2.5	24	40	10	40	32	4.5	30		1x4	593	1129	12.5
*SFU01604-4	16	4	2.381	28	48	10	40	38	5.5	40	M6	1x4	629	1270	35
*SFU01605-4	16	5	3.175	28	48	10	50	38	5.5	40	M6	1x4	780	1790	20
*SFU01610-3	16	10	3.175	28	48	10	57	38	5.5	40	M6	1x3	721	1249	15
SFU02004-4	20	4	2.381	36	58	10	42	47	6.6	44	M6	1x4	699	1617	41
*SFU02005-4	20	5	3.175	36	58	10	51	47	6.6	44	M6	1x4	1130	2380	25
SFU02504-4	25	4	2.381	40	62	10	42	51	6.6	48	M6	1x4	777	2052	48
*SFU02505-4	25	5	3.175	40	62	10	51	51	6.6	48	M6	1x4	1280	3110	35
SFU02506-4	25	6	3.969	40	62	10	54	51	6.6	48	M6	1x4	1528	3284	40
SFU02508-4	25	8	4.762	40	62	10	63	51	6.6	48	M6	1x4	1941	3863	38
*SFU02510-4	25	10	4.762	40	62	12	85	51	6.6	48	M6	1x4	1944	3877	33
SFU03204-4	32	4	2.381	50	80	12	44	65	9	62	M6	1x4	871	2661	56
*SFU03205-4	32	5	3.175	50	80	12	52	65	9	62	M6	1x4	1450	4150	40
SFU03206-4	32	6	3.969	50	80	12	57	65	9	62	M6	1x4	1720	4298	47
SFU03208-4	32	8	4.762	50	80	12	65	65	9	62	M6	1x4	2189	5079	44
*SFU03210-4	32	10	6.350	50	80	12	90	65	9	62	M6	1x4	3390	7170	79
*SFU04005-4	40	5	3.175	63	93	14	55	78	9	70	M8	1x4	1610	5330	49
SFU04006-4	40	6	3.969	63	93	14	60	78	9	70	M6	1x4	1911	5458	55
SFU04008-4	40	8	4.762	63	93	14	67	78	9	70	M6	1x4	2435	6469	52
*SFU04010-4	40	10	6.350	63	93	14	93	78	9	70	M8	1x4	3910	9520	50
SFU05010-4	50	10	6.350	75	110	16	93	93	11	85	M8	1x4	4450	12500	65
*SFU05020-4	50	20	7.144	75	110	16	138	93	11	85	M8	1x4	4644	14327	59.5
*SFU06310-4	63	10	6.350	90	125	18	98	108	11	95	M8	1x4	5070	16600	80
SFU06320-4	63	20	9.525	95	135	20	149	115	13.5	100	M8	1x4	7573	23860	84.1
*SFU08010-4	80	10	6.350	105	145	20	98	125	13.5	110	M8	1x4	5620	21300	90
SFU08020-4	80	20	9.525	125	165	25	154	145	13.5	130	M8	1x4	8485	30895	84.1
SFU010020-4	100	20	9.525	150	202	30	180	170	17.5	155	M8	1x4	9420	39183	110.1

(注:有标注*记号者可制作左螺纹滚珠螺杆菌)

SFS(DIN 69051 FORMB) 静音滚珠螺杆系列规格尺寸表

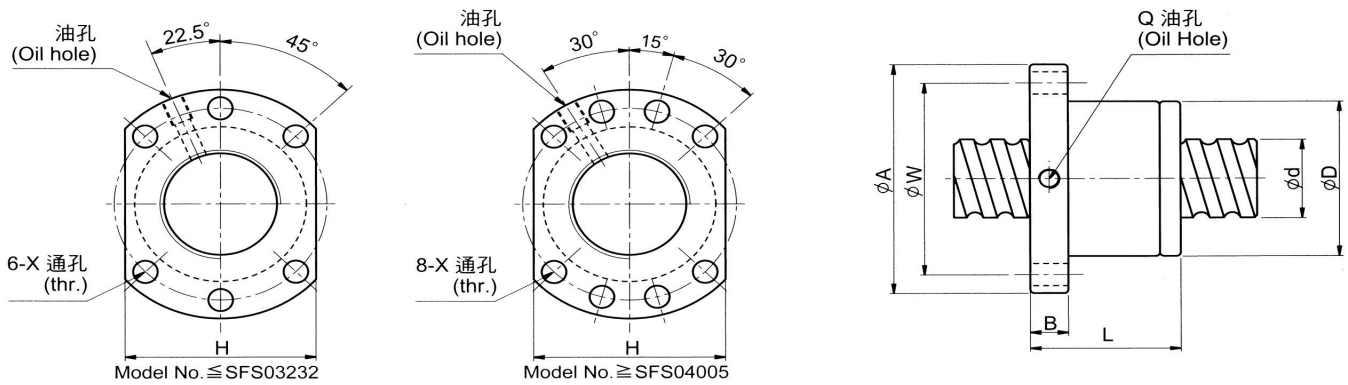


单位：mm

型号	轴径 d	导程 l	珠径 Da	螺帽尺寸数据									动额定 负荷 Ca	静额定 负荷 Coa	刚性 kgf/um
				D	A	B	L	W	X	H	Q	n			
SFS01205-2.8	12	5	2.5	24	40	10	31	32	4.5	30		1x2.8	434	788	11
SFS01210-2.8	12	10	2.5	24	40	10	48.5	32	4.5	30	M6	1x2.8	422	711	12
SFS01605-3.8	15	5	2.778	28	48	10	38	38	5.5	40	M6x1P	1x3.8	730	1790	20
SFS01610-2.8	15	10	2.778	28	48	10	47	38	5.5	40	M6x1P	1x2.8	551	1090	13
SFS01616-1.8	15	16	2.778	28	48	10	45	38	5.5	40	M6x1P	1x1.8	363	681	8
SFS01616-2.8	15	16	2.778	28	48	10	61	38	5.5	40	M6x1P	1x2.8	530	1059	12
SFS01620-1.8	15	20	2.778	28	48	10	57	38	5.5	40	M6x1P	1x1.8	364	700	8
SFS02005-3.8	20	5	3.175	36	58	10	40	47	6.6	44	M6x1P	1x3.8	975	2206	21
SFS02006-4.8	20	6	3.175	36	58	10	50	47	6.6	44	M6x1P	1x4.8	1190	2783	26
SFS02008-4.8	20	8	3.175	36	58	10	60	57	6.6	44	M6x1P	1x4.8	1224	2912	33
SFS02010-3.8	20	10	3.175	36	58	10	60	47	6.6	44	M6x1P	1x3.8	996	2296	22
SFS02020-1.8	20	20	3.175	36	58	10	57	47	6.6	44	M6x1P	1x1.8	502	1053	10
SFS02020-2.8	20	20	3.175	36	58	10	77	47	6.6	44	M6x1P	1x2.8	734	1638	16
SFS02505-3.8	25	5	3.175	40	62	10	40	51	6.6	48	M6x1P	1x3.8	1084	2791	25
SFS02506-4.8	25	6	3.175	40	62	10	50	51	6.6	48	M6x1P	1x4.8	1324	3523	31
SFS02508-4.8	25	8	3.175	40	62	10	60	51	6.6	48	M6x1P	1x4.8	1320	3515	32
SFS02510-3.8	25	10	3.175	40	62	12	62	51	6.6	48	M6x1P	1x3.8	1076	2776	26
SFS02525-1.8	25	25	3.175	40	62	12	70	51	6.6	48	M6x1P	1x1.8	554	1318	12
SFS02525-2.8	25	25	3.175	40	62	12	95	51	6.6	48	M6x1P	1x2.8	810	2050	19
SFS03205-3.8	32	5	3.175	50	80	12	42	65	9	62	M6x1P	1x3.8	1209	3611	29
SFS03206-4.8	32	6	3.175	50	80	12	51	65	9	62	M6x1P	1x4.8	1476	4558	38
SFS03208-4.8	32	8	3.969	50	80	12	62	65	9	62	M6x1P	1x4.8	1981	5501	39
SFS03210-3.8	32	10	3.969	50	80	13	62	65	9	62	M6x1P	1x3.8	1617	4347	31
SFS03220-2.8	31	20	3.969	50	80	12	80	65	9	62	M6x1P	1x2.8	1253	3285	24
SFS03232-1.8	31	32	3.969	50	80	13	84	65	9	62	M6x1P	1x1.8	826	2053	15
SFS03232-2.8	31	32	3.969	50	80	13	116	65	9	62	M6x1P	1x2.8	1208	3193	23

A35
滚珠螺杆

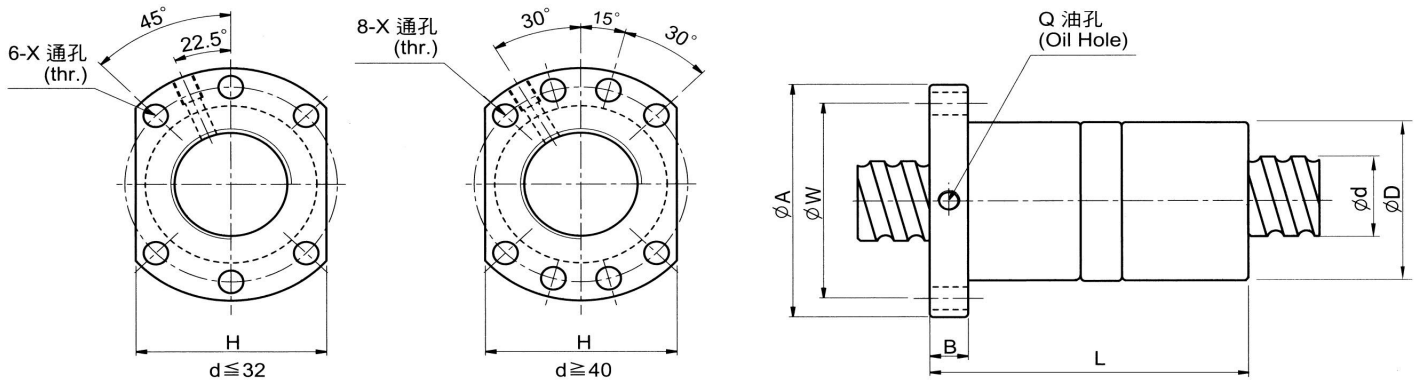
SFS(DIN 69051 FORMB) 静音滚珠螺杆系列规格尺寸表



型号	轴径 d	导程 l	珠径 Da	螺帽尺寸数据									动额定 负荷 Ca	静额定 负荷 Coa	刚性 kgf/um
				D	A	B	L	W	X	H	Q	n			
SFS04005-3.8	40	5	3.175	63	93	15	45	78	9	70	M8x1P	1x3.8	1326	4547	35
SFS04006-4.8	40	6	3.175	63	93	14	50	78	9	70	M6x1P	1x4.8	1621	5742	44
SFS04008-4.8	40	8	3.969	63	93	14	61	78	9	70	M6x1P	1x4.8	2186	6885	46
SFS04010-3.8	40	10	6.35	63	93	14	63	78	9	70	M8x1P	1x3.8	3848	10047	43
SFS04020-2.8	38	20	6.35	63	93	14	82	78	9	70	M8x1P	1x2.8	3026	7721	35
SFS04040-1.8	38	40	6.35	63	93	15	105	78	9	70	M8x1P	1x1.8	1976	4790	22
SFS04040-2.8	38	40	6.35	63	93	15	145	78	9	70	M8x1P	1x2.8	2889	7452	33
SFS05005-3.8	50	5	3.175	75	110	15	45	93	11	85	M8x1P	1x3.8	1450	5717	40
SFS05010-3.8	50	10	6.35	75	110	18	68	93	11	85	M8x1P	1x3.8	4309	12864	51
SFS05012-3.8	50	12	6.35	75	110	18	75	93	11	85	M8x1P	1x3.8	4305	12852	52
SFS05020-3.8	48	20	6.35	75	110	18	108	93	11	85	M8x1P	1x3.8	4394	13320	55
SFS05050-1.8	48	50	6.35	75	110	18	125	93	11	85	M8x1P	1x1.8	2252	6305	27
SFS05050-2.8	48	50	6.35	75	110	18	175	93	11	85	M8x1P	1x2.8	3293	9807	41
SFS06310-3.8	61	10	6.35	90	125	18	70	108	11	95	M8x1P	1x3.8	4848	16795	61
SFS06316-3.8	61	16	6.35	90	125	18	95	108	11	95	M8x1P	1x3.8	4836	16762	64
SFS06320-3.8	61	20	7.144	95	135	20	116	115	13.5	100	M8x1P	1x3.8	5727	19040	67
SFS08010-3.8	77	10	6.35	105	145	20	70	125	13.5	110	M8x1P	1x3.8	5335	21302	69
SFS08020-3.8	77	20	9.525	125	165	25	120	145	13.5	130	M8x1P	1x3.8	9283	31416	82
SFS10020-2.8	96	20	12.7	150	202	30	124	176	17.5	155	M8x1P	1x3.8	15007	51455	98

A36
滚珠螺杆

DFU(DIN 69051 FORMB) 滚珠螺杆系列规格尺寸表



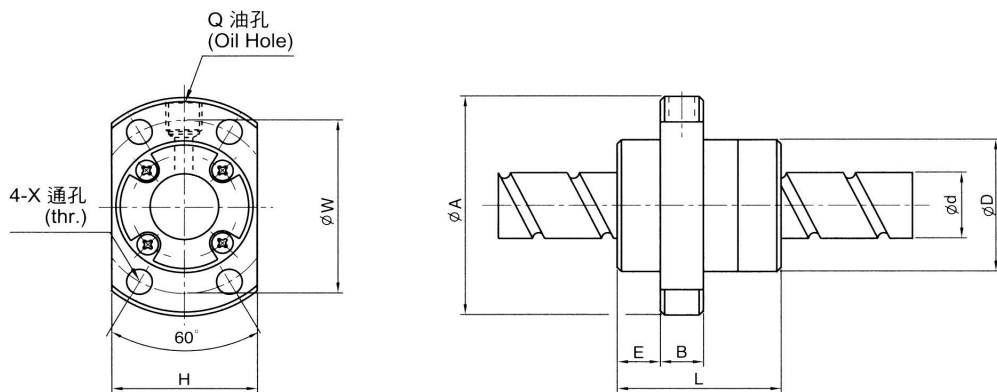
单位：mm

型号	轴径 d	导程 l	珠径 Da	螺帽尺寸数据									动额定负荷 Ca	静额定负荷 Coa	刚性 kgf/um
				D	A	B	L	W	X	H	Q	n			
*DFU01604-4	16	4	2.381	28	48	10	80	38	5.5	40	M6	1x4	629	1270	35
*DFU01605-4	16	5	3.175	28	48	10	100	38	5.5	40	M6	1x4	780	1790	20
*DFU01610-3	16	3	3.175	28	48	10	118	38	5.5	40	M6	1x3	721	1249	15
DFU02004-4	20	4	2.381	36	58	10	80	47	6.6	44	M6	1x4	699	1617	41
*DFU02005-4	20	5	3.175	36	58	10	101	47	6.6	44	M6	1x4	1130	2380	25
DFU02504-4	25	4	2.381	40	62	10	80	51	6.6	48	M6	1x4	777	2052	48
*DFU02505-4	25	5	3.175	40	62	10	101	51	6.6	48	M6	1x4	1280	3110	35
DFU02506-4	25	6	3.969	40	62	10	105	51	6.6	48	M6	1x4	1528	3284	40
DFU02508-4	25	8	4.762	40	62	10	120	51	6.6	48	M6	1x4	1941	3863	38
*DFU02510-4	25	8	4.762	40	62	12	145	51	6.6	48	M6	1x4	1944	3877	33
DFU03204-4	32	4	2.381	50	80	12	80	65	9	62	M6	1x4	871	2661	56
*DFU03205-4	32	5	3.175	50	80	12	102	65	9	62	M6	1x4	1450	4150	40
DFU03206-4	32	6	3.969	50	80	12	105	65	9	62	M6	1x4	1720	4298	47
DFU03208-4	32	8	4.762	50	80	12	122	65	9	62	M6	1x4	2189	5079	44
*DFU03210-4	32	10	6.350	50	80	12	162	65	9	62	M6	1x4	3390	7170	79
*DFU04005-4	40	5	3.175	63	93	14	105	78	9	70	M8	1x4	1610	5330	49
DFU04006-4	40	6	3.969	63	93	14	108	78	9	70	M6	1x4	1911	5458	55
DFU04008-4	40	8	4.762	63	93	14	132	78	9	70	M6	1x4	2435	6469	52
*DFU04010-4	40	10	6.350	63	93	14	165	78	9	70	M8	1x4	3910	9520	50
DFU05010-4	50	10	6.350	75	110	16	171	93	11	85	M8	1x4	4450	12500	65
*DFU05020-4	50	20	7.144	75	110	16	280	93	11	85	M8	1x4	4644	14327	59.5
*DFU06310-4	63	10	6.350	90	125	18	182	108	11	95	M8	1x4	5070	16600	80
DFU06320-4	63	20	9.525	95	135	20	290	115	13.5	100	M8	1x4	7573	23860	84.1
*DFU08010-4	80	10	6.350	105	145	20	182	125	13.5	110	M8	1x4	5620	21300	90
DFU08020-4	80	20	9.525	125	165	25	295	145	13.5	130	M8	1x4	8485	30895	84.1
DFU10020-4	100	20	9.525	150	202	30	340	170	17.5	155	M8	1x4	9420	39183	300

(注：有标注*记号者可制作左螺纹滚珠螺杆)

A37
滚珠螺杆

SFE(DIN 69051 FORMB) 滚珠螺杆菌系列规格尺寸表



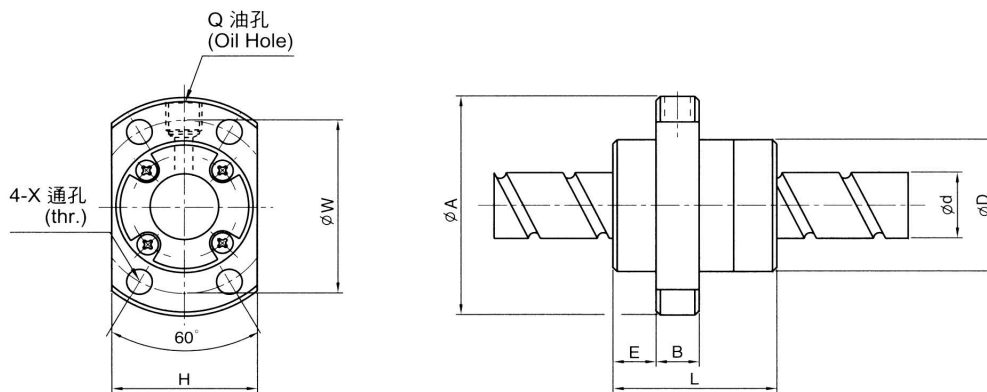
单位：mm

型号	轴径 d	导程 l	珠径 Da	螺帽尺寸数据										动额定 负荷 Ca	静额定 负荷 Coa	刚性 kgf/um
				D	A	E	B	L	X	W	H	Q	n			
SFE01616-3	16	16	2.778	32	53	10.1	10	38	4.5	42	34	M6	2x1.7	650	1280	19
SFE01616-6	16	16	2.778	32	53	10.1	10	38	4.5	42	34	M6	4x1.7	1180	2550	36
SFE01632-3	16	32	3.175	34	55	10.5	10	34	5.5	45	36	M6	2x0.7	410	680	21
SFE01632-6	16	32	3.175	34	55	10.5	10	34	5.5	45	36	M6	4x0.7	820	1360	41
SFE02020-3	20	20	3.175	39	62	11.5	10	47	5.5	50	41	M6	2x1.7	980	2140	25
SFE02020-6	20	20	3.175	39	62	11.5	10	47	5.5	50	41	M6	4x1.7	1780	4280	49
SFE02040-3	20	40	3.175	38	58	11	10	41	5.5	48	40	M6	2x0.7	455	880	25
SFE02040-6	20	40	3.175	38	58	11	10	41	5.5	48	40	M6	4x0.7	910	1760	49
SFE02525-3	25	25	3.969	47	74	13	12	57	6.6	60	49	M6	2x1.7	1470	3350	31
SFE02525-6	25	25	3.969	47	74	13	12	57	6.6	60	49	M6	4x1.7	2660	6690	60
SFE02550-3	25	50	3.969	46	70	13	12	50	6.6	58	48	M6	2x0.7	685	1380	31
SFE02550-6	25	50	3.969	46	70	13	12	50	6.6	58	48	M6	4x0.7	1370	2760	60
SFE03232-3	32	32	4.762	58	92	16	12	71	9	74	60	M6	2x1.7	2140	5260	40
SFE03232-6	32	32	4.762	58	92	16	12	71	9	74	60	M6	4x1.7	3890	10500	76
SFE03264-3	32	64	4.762	58	92	15.5	12	62	9	74	60	M6	2x0.7	1000	2130	40
SFE03264-6	32	64	4.762	58	92	15.5	12	62	9	74	60	M6	4x0.7	2000	4260	77
SFE04040-3	40	40	6.350	73	114	19	15	89	11	93	75	M6	2x1.7	3410	8820	49
SFE04040-6	40	40	6.350	73	114	19	15	89	11	93	75	M6	4x1.7	6200	17600	95
SFE05050-3	50	50	7.938	90	135	21.5	20	107	14	112	92	M6	2x1.7	5100	13800	60
SFE05050-6	50	50	7.938	90	135	21.5	20	107	14	112	92	M6	4x1.7	7260	27600	117

A38

滚珠螺杆菌

SFY(DIN 69051 FORMB) 滚珠螺杆菌系列规格尺寸表



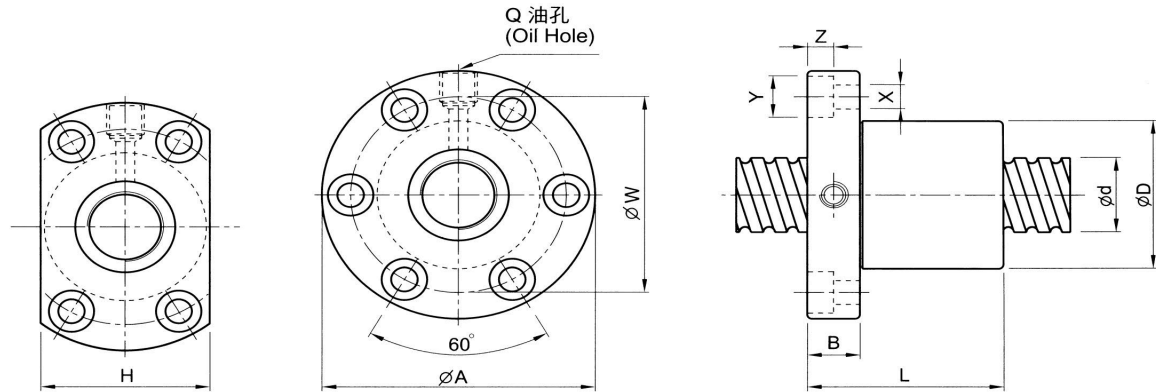
单位：mm

型号	轴径 d	导程 l	珠径 Da	螺帽尺寸数据										动额定 负荷 Ca	静额定 负荷 Coa	刚性 kgf/um
				D	A	E	B	L	X	W	H	Q	n			
SFY00606-3.6	6	6	1.2	14	27	4	4	21	3.4	21	16		2x1.8	217	407	9.8
SFY00808-3.6	8	8	1.2	18	31	6	4	26	3.4	25	20		2x1.8	246	528	15
SFY01616-3.6	16	16	2.778	32	53	10.1	10	45	4.5	42	34	M6	2x1.8	1073	2551	31
SFY01616-5.6	16	16	2.778	32	53	10.1	10	61	4.5	42	34	M6	2x2.8	1568	3968	47
SFY01632-1.6	16	32	2.778	32	53	10.1	10	42.5	4.5	42	34	M6	2x0.8	493	1116	11
SFY01632-3.6	16	32	2.778	32	53	10.1	10	74.5	4.5	42	34	M6	2x1.8	989	2511	23
SFY02020-3.6	20	20	3.175	39	62	13	10	52	5.5	50	41	M6	2x1.8	1387	3515	37
SFY02020-5.6	20	20	3.175	39	62	13	10	72	5.5	50	41	M6	2x2.8	2029	5468	56
SFY02040-1.6	20	40	3.175	39	62	13	10	48	5.5	50	41	M6	2x0.8	653	1597	15
SFY02040-3.6	20	40	3.175	39	62	13	10	88	5.5	50	41	M6	2x1.8	1311	3592	30
SFY02525-3.6	25	25	3.969	47	74	15	12	64	6.6	60	49	M6	2x1.8	2074	5494	45
SFY02525-5.6	25	25	3.969	47	74	15	12	89	6.6	60	49	M6	2x2.8	3032	8546	69
SFY02550-1.6	25	50	3.969	47	74	15	12	58	6.6	60	49	M6	2x0.8	976	2495	19
SFY02550-3.6	25	50	3.969	47	74	15	12	108	6.6	60	49	M6	2x1.8	1960	5614	32
SFY03232-3.6	32	32	4.762	58	92	17	12	78	9	74	60	M6	2x1.8	3021	8690	58
SFY03232-5.6	32	32	4.762	58	92	17	12	71	9	74	60	M6	2x2.8	4417	13517	88
SFY03264-1.6	32	64	4.762	58	92	17	12	71	9	74	60	M6	2x0.8	1374	3571	22
SFY03264-3.6	32	64	4.762	58	92	17	12	135	9	74	60	M6	2x1.8	2759	8441	46
SFY04040-3.6	40	40	6.35	73	114	19.5	15	99	11	93	75	M6	2x1.8	4831	14062	70
SFY04040-5.6	40	40	6.35	73	114	19.5	15	139	11	93	75	M6	2x2.8	7065	21874	106
SFY04080-1.6	40	80	6.35	73	114	19.5	15	90	11	93	75	M6	2x0.8	2273	6387	29
SFY04080-3.6	40	80	6.35	73	114	19.5	15	170	11	93	75	M6	2x1.8	4566	14370	50
SFY05050-3.6	50	50	7.938	90	135	21.5	20	117	14	112	92	M6	2x1.8	7220	21974	86
SFY05050-5.6	50	50	7.938	90	135	21.5	20	167	14	112	92	M6	2x2.8	10558	34182	131
SFY050100-1.6	50	100	7.938	90	135	21.5	20	111	14	112	92	M6	2x0.8	3398	9980	35
SFY050100-1.6	50	100	7.938	90	135	21.5	20	211	14	112	92	M6	2x1.8	6824	22455	72

A39

滚珠螺杆菌

SFI(DIN 69051 FORMB) 滚珠螺杆系列规格尺寸表



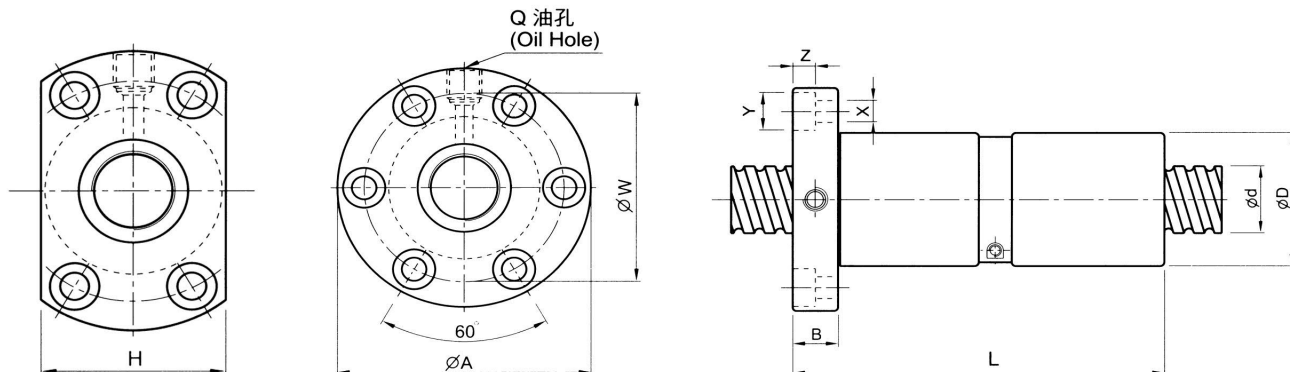
单位：mm

型号	轴径 d	导程 l	珠径 Da	螺帽尺寸数据											动额定 负荷 Ca	静额定 负荷 Coa	刚性 kgf/μm
				D	A	B	L	W	H	X	Y	Z	Q	n			
*SFI01604-4	16	4	2.381	30	49	10	45	39	34	4.5	8	4.5	M6	1x4	640	1340	16
*SFI01605-4	16	5	2.381	30	49	10	50	39	34	4.5	8	4.5	M6	1x4	780	1790	20
*SFI01610-3	16	10	3.175	34	58	10	57	45	34	5.5	9.5	5.5	M6	1x3	833	1249	15
SFI02004-4	20	4	3.175	34	57	11	46	45	40	5.5	9.5	5.5	M6	1x4	670	1480	25
*SFI02005-4	20	5	3.175	34	57	11	51	45	40	5.5	9.5	5.5	M6	1x4	1130	2380	25
*SFI0205T-4	20	5.08	3.175	34	57	11	51	45	40	5.5	9.5	5	M6	1x4	1130	2380	25
*SFI02504-4	25	4	2.381	40	63	11	46	51	46	5.5	9.5	5.5	M6	1x4	760	1950	31
*SFI02505-4	25	5	3.175	40	63	11	51	51	46	5.5	9.5	5	M8	1x4	1280	3110	35
SFI02510-4	25	10	4.762	46	72	12	85	58	52	6.5	11	6.5	M6	1x4	1944	3877	33
SFI03204-4	32	4	2.381	46	72	12	47	58	52	6.5	11	6.5	M6	1x4	860	3050	40
*SFI03205-4	32	5	3.175	46	72	12	52	58	52	6.5	11	6	M8	1x4	1450	4150	40
*SFI03210-4	32	10	6.35	54	88	15	90	70	62	9	14	8.5	M8	1x4	3390	7170	40
*SFI04005-4	40	5	3.175	56	90	15	55	72	64	9	14	8.5	M8	1x4	1610	5330	49
*SFI04010-4	40	10	6.35	62	104	18	93	82	70	11	17.5	11	M8	1x4	3910	9520	50
SFI05010-4	50	10	6.35	72	114	18	93	92	82	11	17.5	11	M8	1x4	4450	12500	65
*SFI06310-4	63	10	6.35	85	131	22	98	107	95	14	20	13	M8	1x4	5070	16600	80
*SFI08010-4	80	10	6.35	105	150	22	98	127	115	14	20	13	M8	1x4	5620	21300	90

(注：有标注*记号者可制作左螺纹滚珠螺杆)

A40
滚珠螺杆

DFI(DIN 69051 FORMB) 滚珠螺杆系列规格尺寸表



单位：mm

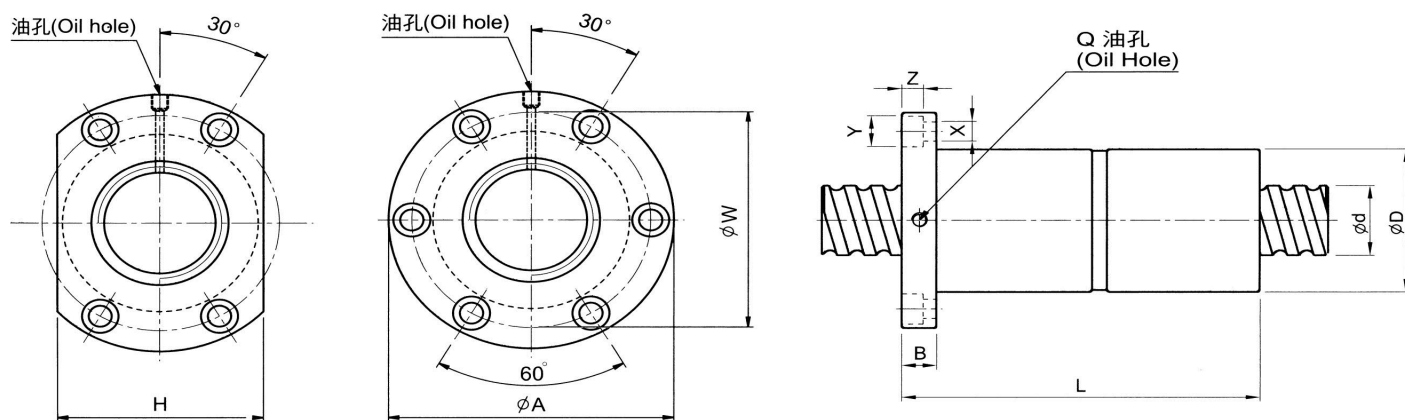
型号	轴径 d	导程 l	珠径 D_a	螺帽尺寸数据											动额定 负荷 C_a	静额定 负荷 C_oa	刚性 $kgf/\mu m$
				D	A	B	L	W	H	X	Y	Z	Q	n			
*DFI01604-4	16	4	2.381	30	49	10	80	39	34	4.5	8	4.5	M6	1x4	640	1340	35
*DFI01605-4	16	5	3.175	30	49	10	100	39	34	4.5	8	4.5	M6	1x4	780	1790	36
DFI02004-4	20	4	2.381	34	57	11	80	45	40	5.5	9.5	5.5	M6	1x4	670	1480	41
*DFI02005-4	20	5	3.175	34	57	11	101	45	40	5.5	9.5	5.5	M6	1x4	1130	2380	45
DFI02504-4	25	4	2.381	40	63	11	80	51	46	5.5	9.5	5.5	M6	1x4	760	1950	48
*DFI02505-4	25	5	3.175	40	63	11	101	51	46	5.5	9.5	5.5	M8	1x4	1280	3110	63
*DFI02510-4	25	10	4.762	46	72	12	145	58	52	6.5	11	6.5	M6	1x4	1944	3877	65
DFI03204-4	32	4	2.381	46	72	12	80	58	52	6.5	11	6.5	M6	1x4	860	3050	56
*DFI03205-4	32	5	3.175	46	72	12	102	58	52	6.5	11	6.5	M8	1x4	1450	4150	72
*DFI03210-4	32	10	6.35	54	88	15	162	70	62	9	14	8.5	M8	1x4	3390	7170	72
*DFI04005-4	40	5	3.175	56	90	15	105	72	64	9	14	8.5	M8	1x4	1610	5330	98
*DFI04010-4	40	10	6.35	62	104	18	165	82	70	11	17.5	11	M8	1x4	3910	9520	90
DFI05010-4	50	10	6.35	72	114	18	171	92	82	11	17.5	11	M8	1x4	4450	12500	117
*DFI06310-4	63	10	6.35	85	131	22	182	107	95	14	20	13	M8	1x4	5070	16600	114
DFI08010-4	80	10	6.35	105	150	22	182	127	115	14	20	13	M8	1x4	5620	21300	162

(注：有标注*记号者可制作左螺纹滚珠螺杆)

A41

滚珠螺杆

DFV(DIN 69051 FORMB) 滚珠螺杆菌系列规格尺寸表



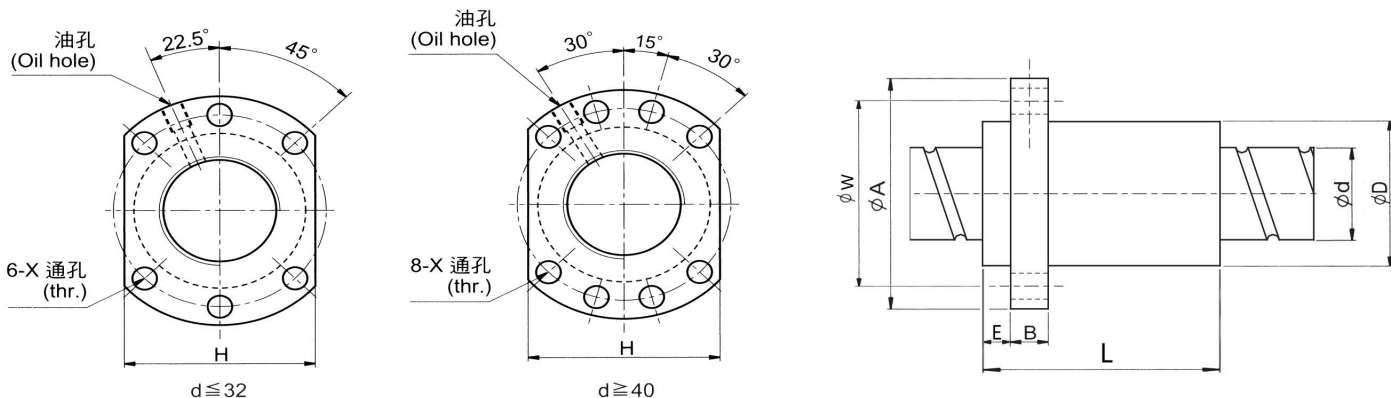
单位：mm

型号	轴径 d	导程 l	珠径 Da	螺帽尺寸数据											动额定 负荷 Ca	静额定 负荷 Coa	刚性 kgf/μm
				D	A	B	L	W	H	X	Y	Z	Q	n			
DFV01510-2.7	15	10	3.175	34	58	10	107	45	34	5.5	9.5	5.5	M6	1x2.7	639	1210	25
DFV01604-3.8	16	4	2.381	34	57	11	89	45	34	5.5	9.5	5.5	M6	1x3.8	610	1367	35
DFV01605-4.8	16	5	3.175	40	63	11	113	51	42	5.5	9.5	5.5	M6	1x4.8	1060	2194	44
DFV02004-4.8	20	4	2.381	40	60	10	94	50	40	4.5	8	4	M6	1x4.8	818	2143	52
DFV02005-4.8	20	5	3.175	44	67	11	112	55	52	5.5	9.5	5.5	M6	1x4.8	1192	2786	53
DFV02010-2.7	20	10	3.969	46	74	13	117	59	46	6.5	11	6.5	M6	1x2.7	997	2036	33
DFV02505-4.8	25	5	3.175	50	73	11	105	61	52	5.5	9.5	5.5	M8	1x4.8	1325	3526	63
DFV02506-4.8	25	6	3.969	53	76	11	116	64	58	5.5	9.5	5.5	M6	1x4.8	1782	4355	65
DFV02508-4.8	25	8	4.762	56	85	13	134	71	64	6.5	11	6.5	M6	1x4.8	2278	5258	68
DFV02510-2.7	25	10	6.35	68	102	15	130	84	82	9	14	8.5	M8	1x2.7	2323	4717	47
DFV03204-4.8	32	4	2.381	54	81	12	94	67	64	6.6	11	6.5	M6	1x4.8	996	3478	73
DFV03205-4.8	32	5	3.175	58	85	12	106	71	64	6.6	11	6.5	M8	1x4.8	1477	4561	76
DFV03206-4.8	32	6	3.969	62	89	12	114	75	68	6.6	11	6.5	M8	1x4.8	2023	5735	80
DFV03208-4.8	32	8	4.762	66	100	15	139	82	76	9	14	8.5	M8	1x4.8	2603	6918	84
DFV03210-4.8	32	10	6.35	74	108	15	186	90	82	9	14	9	M8	1x4.8	4296	10556	96
DFV03220-2.7	32	20	6.35	74	108	16	200	90	82	9	14	8.5	M8	1x2.7	2682	6229	58
DFV04005-4.8	40	5	3.175	67	101	15	109	83	72	9	14	8.5	M8	1x4.8	1621	5743	90
DFV04010-4.8	40	10	6.35	82	124	18	188	102	94	11	17.5	11	M8	1x4.8	4828	13403	115
DFV04020-2.7	40	20	6.35	82	124	18	200	102	90	11	17.5	11	M8	1x2.7	3007	7849	70
DFV05005-4.8	50	5	3.175	80	114	15	115	96	82	9	14	8.5	M8	1x4.8	1773	7222	105
DFV05010-4.8	50	10	6.35	93	135	16	173	113	98	11	17.5	11	M8	1x4.8	5368	16960	137
DFV05020-2.7	50	20	9.525	105	152	28	221	128	110	14	20	13	M8	1x2.7	5608	14195	86
DFV06310-4.8	63	10	6.35	108	154	22	195	130	110	14	20	13	M8	1x4.8	6008	21927	165
DFV06320-2.7	63	20	9.525	122	180	28	220	150	130	18	26	17.5	M8	1x2.7	6239	17828	102
DFV08010-4.8	80	10	6.35	130	176	22	195	152	132	14	20	13	M8	1x4.8	6568	27630	194
DFV08020-4.8	80	20	9.525	143	204	28	340	172	148	18	26	18	M8	1x4.8	11544	41286	215
DFV08020-7.6	80	20	9.525	143	204	28	460	172	148	18	26	18	M8	2x3.8	17139	65370	334

A42

滚珠螺杆菌

SFH(DIN 69051 FORMB) 滚珠螺杆菌系列规格尺寸表



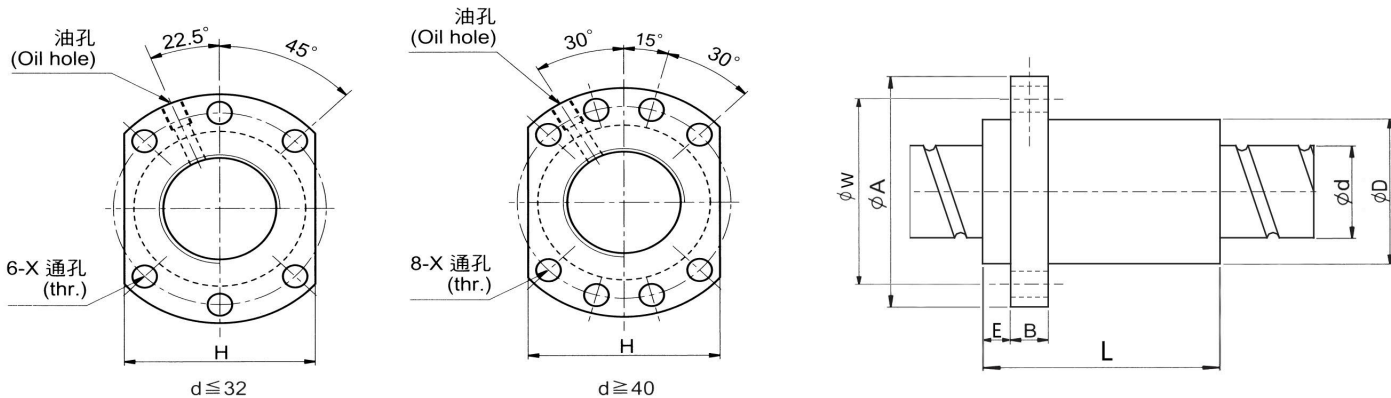
单位：mm

型号	轴径 d	导程 l	珠径 Da	螺帽尺寸数据										动额定 负荷 Ca	静额定 负荷 Coa	刚性 kgf/um
				D	A	E	B	L	X	W	H	Q	n			
SFH01205-2.8	12	5	2.5	24	40	5	10	30	4.5	32	30		1x2.8	661	1316	19
SFH01210-2.8	12	10	2.5	24	40	5	10	45	4.5	32	30		1x2.8	642	1287	19
SFH01605-3.8	15	5	2.778	28	48	5	10	37	5.5	38	40	M6	1x3.8	1112	2507	30
SFH01610-2.8	15	10	2.778	28	48	5	10	45	5.5	38	40	M6	1x2.8	839	1821	23
SFH01616-1.8	15	16	2.778	28	48	5	10	45	5.5	38	40	M6	1x1.8	552	1137	14
SFH01616-2.8	15	16	2.778	28	48	5	10	61	5.5	38	40	M6	1x2.8	808	1769	22
SFH01620-1.8	15	20	2.778	28	48	7	10	58	5.5	38	40	M6	1x1.8	554	1170	14
SFH02005-3.8	20	5	3.175	36	58	7	10	37	6.6	47	44	M6	1x3.8	1484	3681	37
SFH02010-3.8	20	10	3.175	36	58	7	10	55	6.6	47	44	M6	1x3.8	1516	3833	40
SFH02020-1.8	20	20	3.175	36	58	7	10	54	6.6	47	44	M6	1x1.8	764	1758	19
SFH02020-2.8	20	20	3.175	36	58	7	10	74	6.6	47	44	M6	1x2.8	1118	2734	29
SFH02505-3.8	25	5	3.175	40	62	7	10	37	6.6	51	48	M6	1x3.8	1650	4658	43
SFH02510-3.8	25	10	3.175	40	62	7	12	55	6.6	51	48	M6	1x3.8	1638	4633	45
SFH02525-1.8	25	25	3.175	40	62	7	12	64	6.6	51	48	M6	1x1.8	843	2199	22
SFH02525-2.8	25	25	3.175	40	62	7	12	89	6.6	51	48	M6	1x2.8	1232	3421	34
SFH03205-3.8	32	5	3.175	50	80	9	12	37	9	65	62	M6	1x3.8	1839	6026	51
SFH03210-3.8	31	10	3.969	50	80	9	12	57	9	65	62	M6	1x3.8	2460	7255	55
SFH03220-2.8	31	20	3.969	50	80	9	12	76	9	65	62	M6	1x2.8	1907	5482	43
SFH03232-1.8	31	32	3.969	50	80	9	12	80	9	65	62	M6	1x1.8	1257	3426	27
SFH03232-2.8	31	32	3.969	50	80	9	12	112	9	65	62	M6	1x2.8	1838	5329	42
SFH04005-3.8	40	5	3.175	63	93	9	15	42	9	78	70	M8	1x3.8	2018	7589	60
SFH04010-3.8	38	10	6.35	63	93	9	14	60	9	78	70	M8	1x3.8	5035	13943	67
SFH04020-2.8	38	20	6.35	63	93	9	14	80	9	78	70	M8	1x2.8	3959	10715	54
SFH04040-1.8	38	40	6.35	63	93	9	14	98	9	78	70	M8	1x1.8	2585	6648	34
SFH04040-2.8	38	40	6.35	63	93	9	14	138	9	78	70	M8	1x2.8	3780	10341	52
SFH05005-3.8	50	5	3.175	75	110	10.5	15	42	11	93	85	M8	1x3.8	2207	9542	68
SFH05010-3.8	48	10	6.35	75	110	10.5	18	60	11	93	85	M8	1x3.8	5638	17852	79

A43

滚珠螺杆菌

SFH(DIN 69051 FORMB) 滚珠螺杆菌系列规格尺寸表



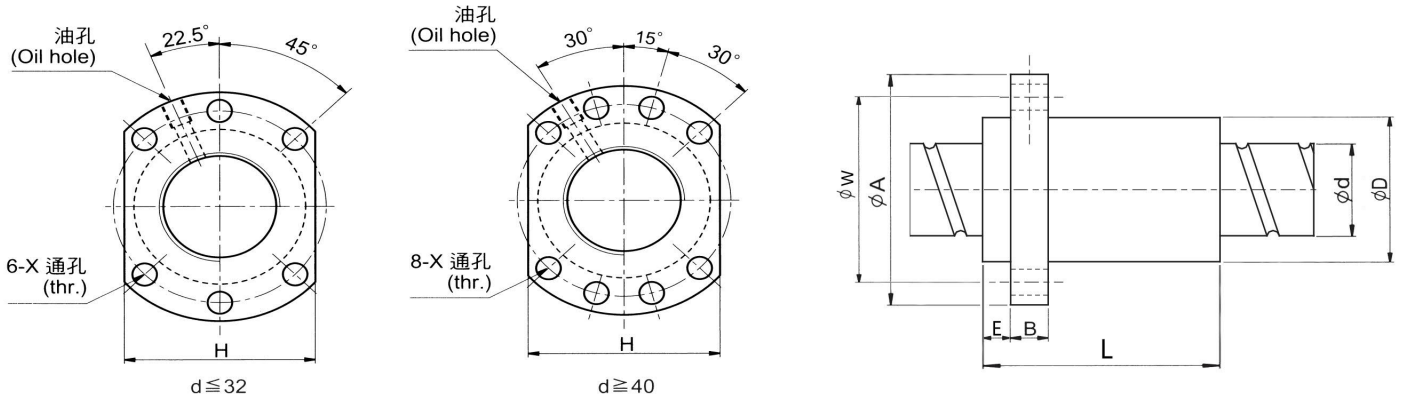
单位：mm

型号	轴径 d	导程 l	珠径 Da	螺帽尺寸数据										动额定 负荷 Ca	静额定 负荷 Coa	刚性 kgf/um
				D	A	E	B	L	X	W	H	Q	n			
SFH05020-3.8	48	20	6.35	75	110	10.5	18	100	11	93	85	M8	1x3.8	5749	18485	87
SFH05050-1.8	48	50	6.35	75	110	10.5	18	120	11	93	85	M8	1x1.8	2946	8749	42
SFH05050-2.8	48	50	6.35	75	110	10.5	18	170	11	93	85	M8	1x2.8	4308	13610	65

A44

滚珠螺杆菌

SFA(DIN 69051 FORMB) 滚珠螺杆菌系列规格尺寸表

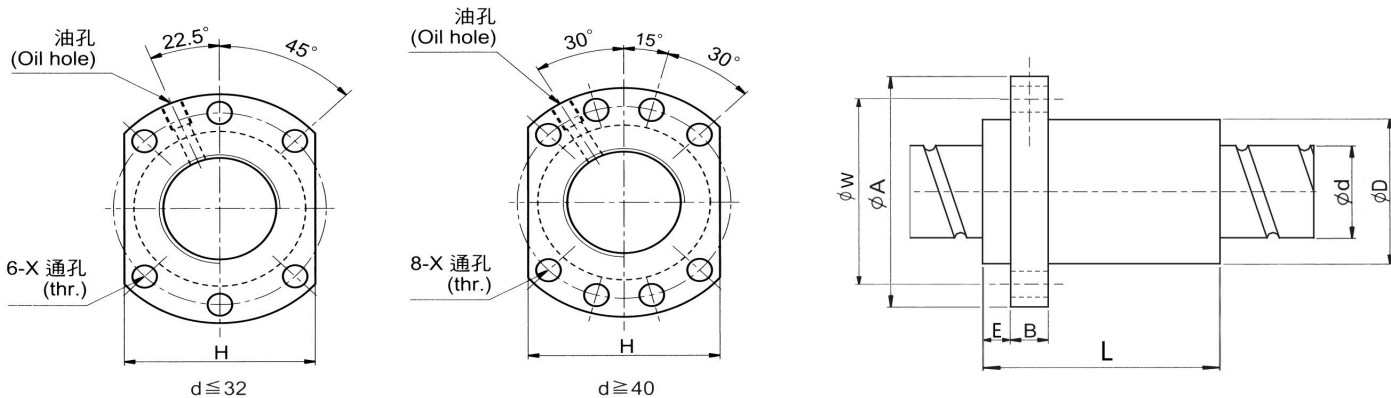


单位：mm

型号	轴径 d	导程 l	珠径 Da	螺帽尺寸数据										动额定 负荷 Ca	静额定 负荷 Coa	刚性 kgf/um
				D	A	E	B	L	X	W	H	Q	n			
SFA01205-2.8	12	5	2.5	24	40	5	10	30	4.5	32	30		1x2.8	661	1316	19
SFA01210-2.8	12	10	2.5	24	40	5	10	42	4.5	32	30		1x2.8	642	1287	19
SFA01605-3.8	15	5	2.778	28	48	5	10	31	5.5	38	40	M6	1x3.8	1112	2507	30
SFA01610-2.8	15	10	2.778	28	48	5	10	42	5.5	38	40	M6	1x2.8	839	1821	23
SFA01616-1.8	15	16	2.778	28	48	5	10	43	5.5	38	40	M6	1x1.8	552	1137	14
SFA01616-2.8	15	16	2.778	28	48	5	10	59	5.5	38	40	M6	1x2.8	808	1769	22
SFA01620-1.8	15	20	2.778	28	48	5	10	50	5.5	38	40	M6	1x1.8	554	1170	14
SFA01630-1.8	15	30	2.778	28	48	7	10	70	5.5	38	40	M6	1x1.8	534	1195	14
SFA02005-3.8	20	5	3.175	36	58	7	10	33	6.6	47	44	M6	1x3.8	1484	3681	37
SFA02010-3.8	20	10	3.175	36	58	7	10	52	6.6	47	44	M6	1x3.8	1516	3833	40
SFA02020-1.8	20	20	3.175	36	58	7	10	52	6.6	47	44	M6	1x1.8	764	1758	19
SFA02020-2.8	20	20	3.175	36	58	7	10	72	6.6	47	44	M6	1x2.8	1118	2734	29
SFA02505-3.8	25	5	3.175	40	62	7	10	33	6.6	51	48	M6	1x3.8	1650	4658	43
SFA02510-3.8	25	10	3.175	40	62	7	12	52	6.6	51	48	M6	1x3.8	1638	4633	45
SFA02525-1.8	25	25	3.175	40	62	7	12	60	6.6	51	48	M6	1x1.8	843	2199	22
SFA02525-2.8	25	25	3.175	40	62	7	12	85	6.6	51	48	M6	1x2.8	1232	3421	34
SFA03205-3.8	32	5	3.175	50	80	9	12	35	9	65	62	M6	1x3.8	1839	6026	51
SFA03210-3.8	31	10	3.969	50	80	9	12	53	9	65	62	M6	1x3.8	2460	7255	55
SFA03220-2.8	31	20	3.969	50	80	9	12	72	9	65	62	M6	1x2.8	1907	5482	43
SFA03232-1.8	31	32	3.969	50	80	9	12	78	9	65	62	M6	1x1.8	1257	3426	27
SFA03232-2.8	31	32	3.969	50	80	9	12	110	9	65	62	M6	1x2.8	1838	5329	42
SFA04005-3.8	40	5	3.175	63	93	9	14	39	9	78	70	M8	1x3.8	2018	7589	60
SFA04010-3.8	38	10	6.35	63	93	9	14	57	9	78	70	M8	1x3.8	5035	13943	67
SFA04020-2.8	38	20	6.35	63	93	9	14	78	9	78	70	M8	1x2.8	3959	10715	54
SFA04040-1.8	38	40	6.35	63	93	9	14	96	9	78	70	M8	1x1.8	2585	6648	34
SFA04040-2.8	38	40	6.35	63	93	9	14	136	9	78	70	M8	1x2.8	3780	10341	52
SFA05005-3.8	50	5	3.175	75	110	10.5	15	42	11	93	85	M8	1x3.8	2207	9542	68

A45
滚珠螺杆菌

SFA(DIN 69051 FORMB) 滚珠螺杆系列规格尺寸表



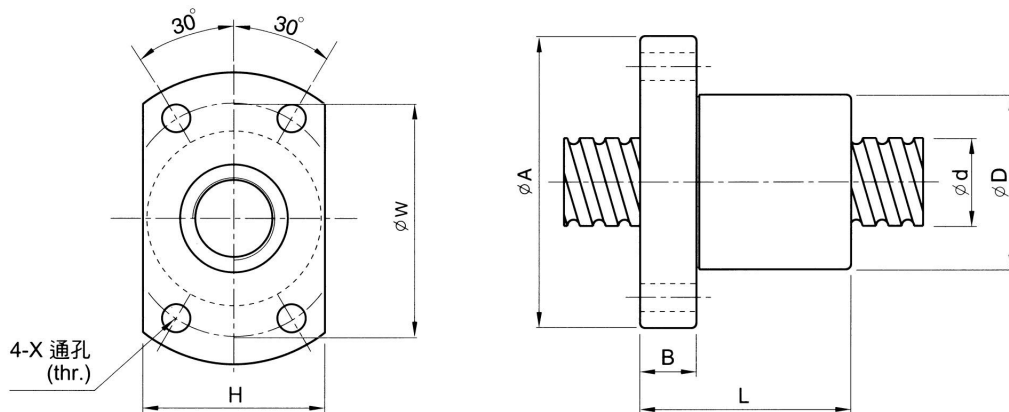
单位：mm

型号	轴径 d	导程 l	珠径 Da	螺帽尺寸数据										动额定 负荷 Ca	静额定 负荷 Coa	刚性 kgf/um
				D	A	E	B	L	X	W	H	Q	n			
SFA05010-3.8	48	10	6.35	75	110	10.5	18	57	11	93	85	M8	1x3.8	5638	17852	79
SFA05020-3.8	48	20	6.35	75	110	10.5	18	98	11	93	85	M8	1x3.8	5749	18485	87
SFA05050-1.8	48	50	6.35	75	110	10.5	18	117	11	93	85	M8	1x1.8	2946	8749	42
SFA05050-2.8	48	50	6.35	75	110	10.5	18	167	11	93	85	M8	1x2.8	4308	13610	65

A46

滚珠螺杆

SFK(DIN 69051 FORMB) 滚珠螺杆菌系列规格尺寸表



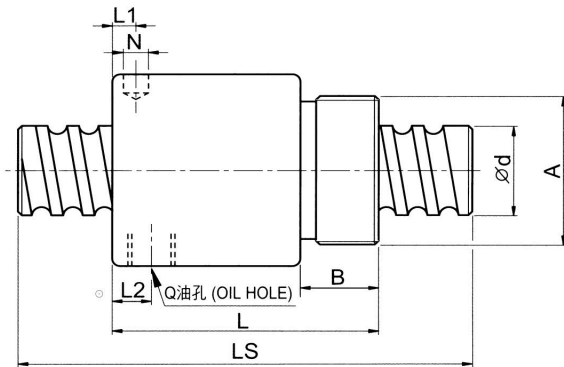
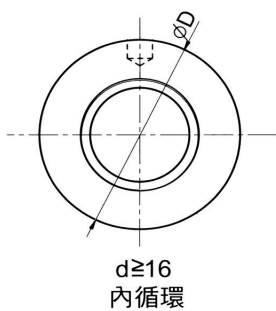
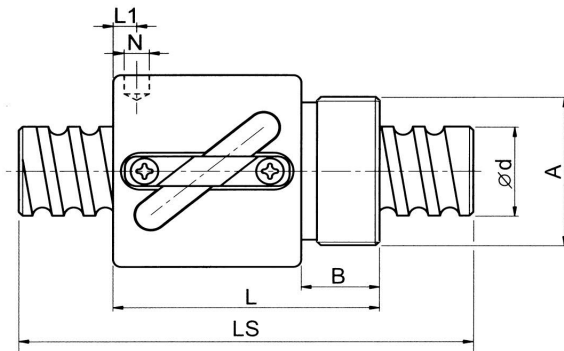
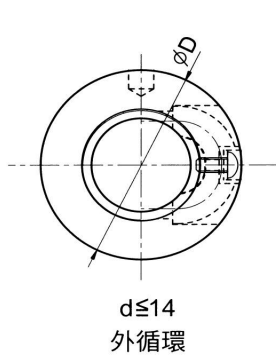
单位：mm

型号	轴径 d	导程 l	珠径 Da	螺帽尺寸数据											动额定 负荷 Ca	静额定 负荷 Coa	刚性 kgf/μm
				D	A	B	L	W	H	X	Y	Z	Q	n			
*SFK00401	4	1	0.8	10	20	3	12	15	14	2.9				1x2	64	97	5
*SFK00601	6	1	0.8	12	24	3.5	15	18	16	3.4				1x3	111	274	9
*SFK00801	8	1	0.8	14	27	4	16	21	18	3.4				1x4	161	403	14
*SFK00802	8	2	1.2	14	27	4	16	21	18	3.4				1x3	222	458	13
SFK00802.5	8	2.5	1.2	16	29	4	26	23	20	3.4				1x3	221	457	13
*SFK01002	10	2	1.2	18	35	5	28	27	22	4.5				1x3	243	569	15
SFK01004	10	4	2	26	46	10	34	36	28	4.5	8	4.5	M6	1x3	468	905	17
*SFK01202	12	2	1.2	20	37	5	28	29	24	4.5				1x3	334	906	22
*SFK01402	14	2	1.2	21	40	6	23	31	26	5.5				1x4	354	1053	24
*SFK01602	16	2	1.2	25	43	10	40	35	29	5.5				1x4	373	1200	26
SFK02002	20	2	1.2	50	80	15	55	65	68	6.5	10.5	6	M6	1x6	581	2284	48
SFK02502	25	2	1.2	50	80	13	43	65	68	6.5	10.5	6	M6	1x5	540	2381	46

(注：有标注*记号者可制作左螺纹滚珠螺杆菌)

A47
滚珠螺杆菌

BSH(DIN 69051 FORMB) 滚珠螺杆菌系列规格尺寸表

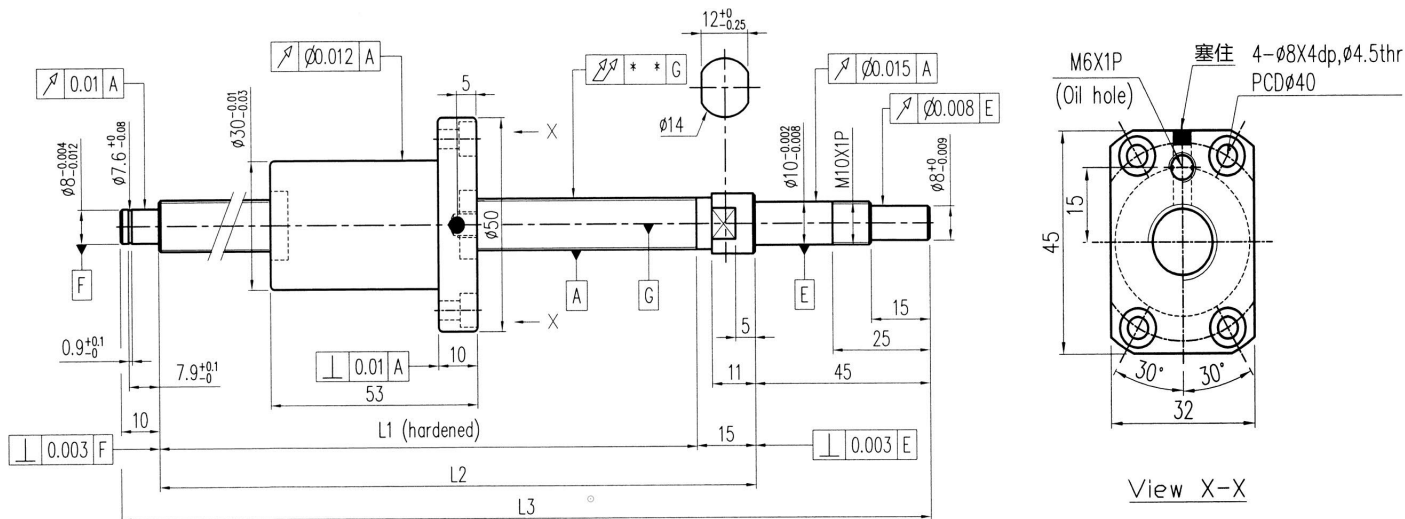


A48
滚珠螺杆菌

单位: mm

型号	轴径 d	导程 l	珠径 Da	螺帽尺寸数据									动额定负荷 Ca	静额定负荷 Coa	刚性 kgf/μm
				D	A	B	L	L1	N	L2	Q	n			
BSHR0082.5-2.5	8	2.5	1.2	17.5	M15x1P	7.5	23.5	10	3			1x2.5	189	381	11
BSHR01002-3.5	10	2	1.2	19.5	M17x1P	7.5	22	3	3.2			1x3.5	277	664	17
BSHR01004-2.5	10	4	2	25	M20x1P	10	34	3	3			1x2.5	400	754	14
BSHR01204-3.5	12	4	2.5	25.5	M20x1P	10	34	13	3			1x3.5	804	1649	23
BSHR01205-3.5	12	5	2.5	25.5	M20x1P	10	39	16.25	3			1x3.5	801	1644	24
BSHR01404-3	14	4	2.5	32.1	M25x1.5P	10	35	11	3			1x3	748	1609	26
BSHR01604-3	16	4	2.381	29	M22x1.5P	8	32	4	3.2			1x3	759	1804	24
BSHR01605-3	16	5	3.175	32.5	M26x1.5P	12	42	19.25	3			1x3	1077	2289	25
BSHR01610-3	16	10	3.175	32	M26x1.5P	12	50	3	4	3	M4	1x2	799	1601	14
BSHR02005-3	20	5	3.175	38	M35x1.5P	15	45	20.3	3			1x3	1211	2906	30
BSHR02504-4	25	5	3.175	43	M40x1.5P	19	69	32.11	3	8	M6	1x4	1724	4904	37
BSHR02510-4	25	10	4.762	43	M40x1.5P	19	84	8	6	8	M6	1x4	2954	7295	41

XSVR01210 研磨级系列规格尺寸(研磨级轴端完成品)



钢珠中心	12.85
钢珠直径(mm)	2.5
导程	10
珠卷数	1x2.7
导程角	13.91°
螺旋方向	R
弹簧力(kg)	0.1~0.2
预压量(kgf)	25
动负荷Ca(kgf)	411
静负荷Ca(kgf)	638
静动(级数)	0.018

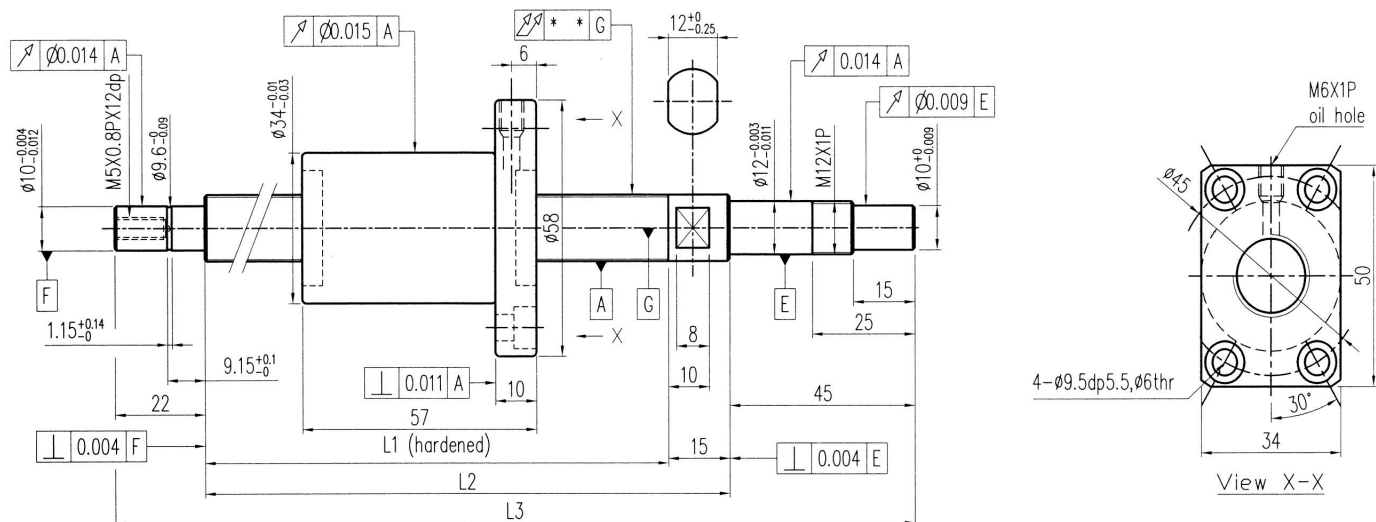
单位: mm

行程 (mm)	公称型号	螺杆轴长度(mm)			轴心偏摆 ↕
		L1	L2	L3	
100	XSVR01210B1DGC5-230-P1	160	175	230	0.035
150	XSVR01210B1DGC5-280-P1	210	225	280	0.035
250	XSVR01210B1DGC5-380-P1	310	325	380	0.050
350	XSVR01210B1DGC5-480-P1	410	425	480	0.060
450	XSVR01210B1DGC5-580-P1	510	525	580	0.075

A49

滚珠螺
杆

XSVR01510 研磨级系列规格尺寸(研磨级轴端完成品)



钢珠中心	15.5
钢珠直径(mm)	3.175
导程	10
珠卷数	1x2.7
导程角	11.6°
螺旋方向	R
弹簧力(kg)	0.1~0.3
预压量(kgf)	38
动负荷Ca(kgf)	611
静负荷Ca(kgf)	950
静动(级数)	0.018

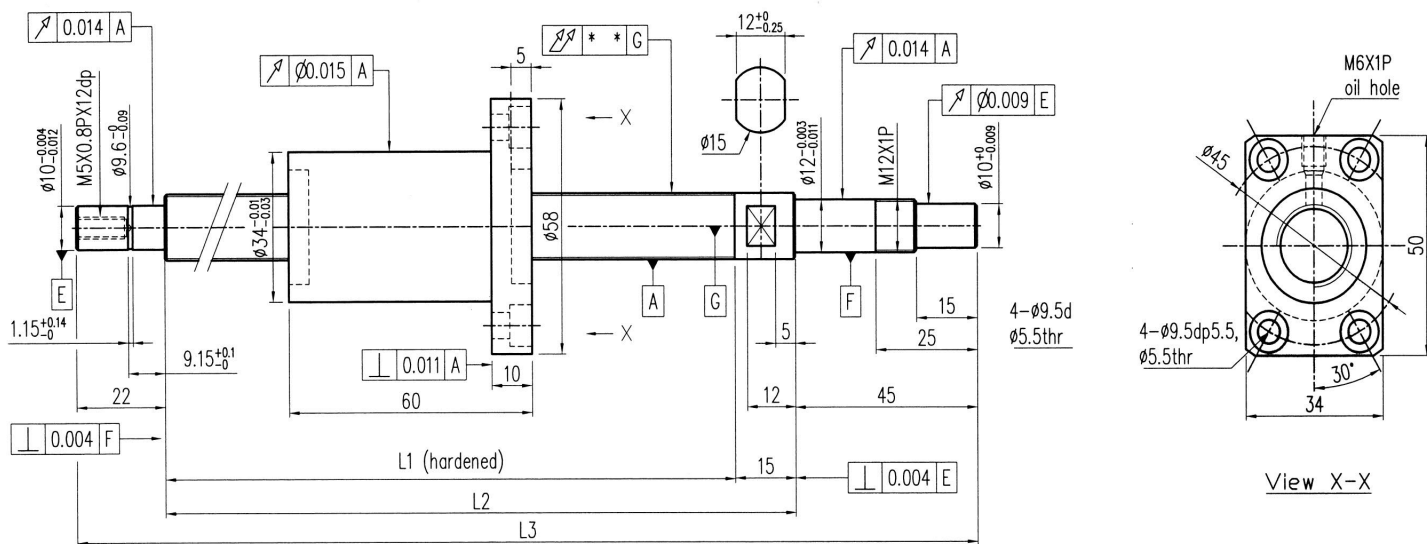
A50

滚珠螺
杆

单位: mm

行程 (mm)	公称型号	螺杆轴长度(mm)			轴心偏摆 ↕
		L1	L2	L3	
100	XSVR01510B1DGC5-271-P1	189	204	271	0.025
150	XSVR01510B1DGC5-321-P1	239	254	321	0.035
200	XSVR01510B1DGC5-371-P1	289	304	371	0.035
250	XSVR01510B1DGC5-421-P1	339	354	421	0.040
300	XSVR01510B1DGC5-471-P1	389	404	471	0.040
350	XSVR01510B1DGC5-521-P1	439	454	521	0.050
400	XSVR01510B1DGC5-571-P1	489	504	571	0.050
450	XSVR01510B1DGC5-621-P1	539	554	621	0.050
500	XSVR01510B1DGC5-671-P1	589	604	671	0.065
550	XSVR01510B1DGC5-721-P1	639	654	721	0.065
600	XSVR01510B1DGC5-771-P1	689	704	771	0.065
700	XSVR01510B1DGC5-871-P1	789	804	871	0.085
800	XSVR01510B1DGC5-971-P1	889	904	971	0.085

XSVR01520 研磨级系列规格尺寸(研磨级轴端完成品)



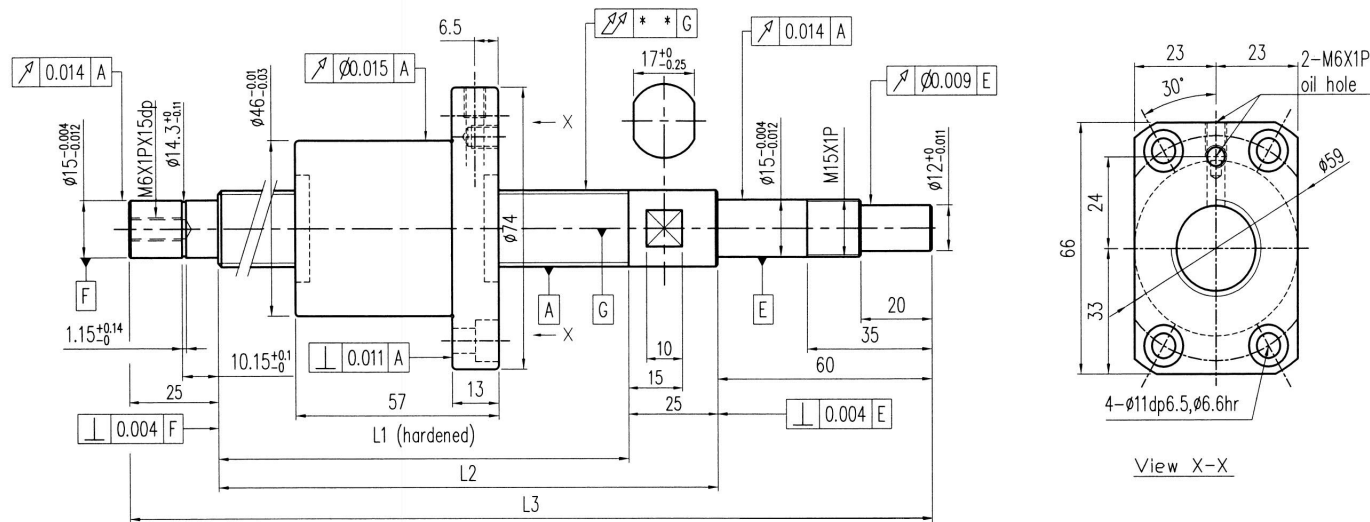
钢珠中心	15.5
钢珠直径(mm)	3.175
导程	20
珠卷数	1x1.8
导程角	22.33°
螺旋方向	R
弹簧力(kg)	0.1~0.3
预压量(kgf)	38
动负荷Ca(kgf)	580
静负荷Ca(kgf)	875
静动(级数)	0.018

A51
滚珠螺
杆

单位: mm

行程 (mm)	公称型号	螺杆轴长度(mm)			轴心偏摆 ↕
		L1	L2	L3	
100	XSVR01520A1DGC5-271-P1	189	204	271	0.025
150	XSVR01520A1DGC5-321-P1	239	254	321	0.035
200	XSVR01520A1DGC5-371-P1	289	304	371	0.035
250	XSVR01520A1DGC5-421-P1	339	354	421	0.040
300	XSVR01520A1DGC5-471-P1	389	404	471	0.040
350	XSVR01520A1DGC5-521-P1	439	454	521	0.050
400	XSVR01520A1DGC5-571-P1	489	504	571	0.050
450	XSVR01520A1DGC5-621-P1	539	554	621	0.050
500	XSVR01520A1DGC5-671-P1	589	604	671	0.065
550	XSVR01520A1DGC5-721-P1	639	654	721	0.065
600	XSVR01520A1DGC5-771-P1	689	704	771	0.065
700	XSVR01520A1DGC5-871-P1	789	804	871	0.085
800	XSVR01520A1DGC5-971-P1	889	904	971	0.085

XSVR02010 研磨级系列规格尺寸(研磨级轴端完成品)



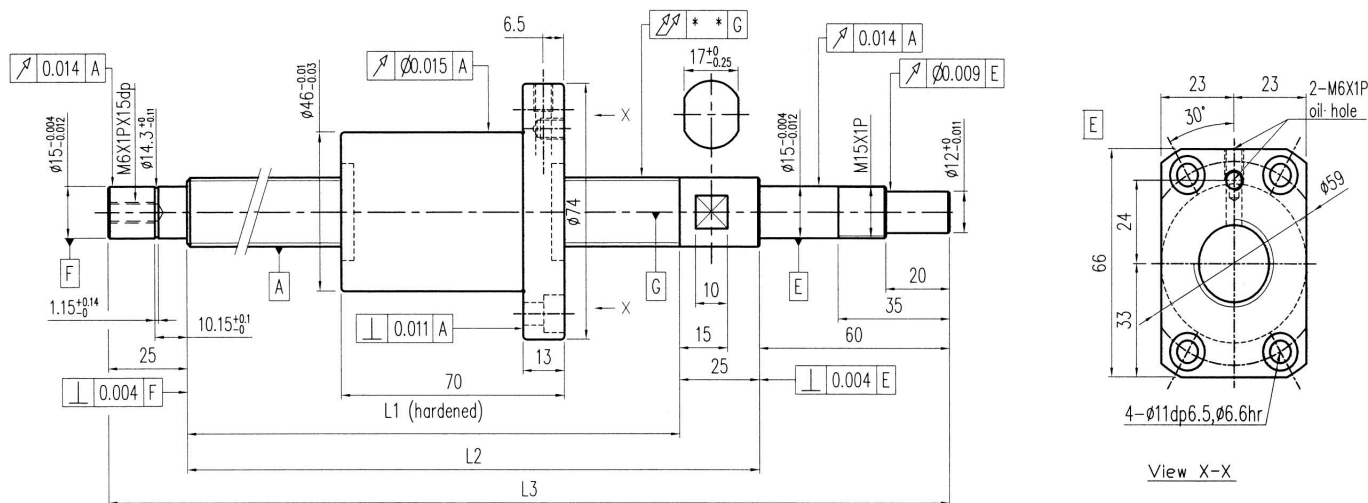
钢珠中心	21.35
钢珠直径(mm)	3.969
导程	10
珠卷数	1x2.7
导程角	8.48°
螺旋方向	R
弹簧力(kg)	0.1~0.3
预压量(kgf)	43
动负荷Ca(kgf)	977
静负荷Ca(kgf)	1732
静动(级数)	0.018

A52
滚珠螺
杆

单位: mm

行程 (mm)	公称型号	螺杆轴长度(mm)			轴心偏摆 ↕
		L1	L2	L3	
200	XSVR02010B1DGC5-399-P1	289	314	399	0.035
300	XSVR02010B1DGC5-499-P1	389	414	499	0.040
400	XSVR02010B1DGC5-599-P1	489	514	599	0.050
500	XSVR02010B1DGC5-699-P1	589	614	699	0.065
600	XSVR02010B1DGC5-799-P1	689	714	799	0.065
700	XSVR02010B1DGC5-899-P1	789	814	899	0.085
800	XSVR02010B1DGC5-999-P1	889	914	999	0.085
900	XSVR02010B1DGC5-1099-P1	989	1014	1099	0.110
1000	XSVR02010B1DGC5-1199-P1	1089	1114	1199	0.110

XSVR02020 研磨级系列规格尺寸(研磨级轴端完成品)

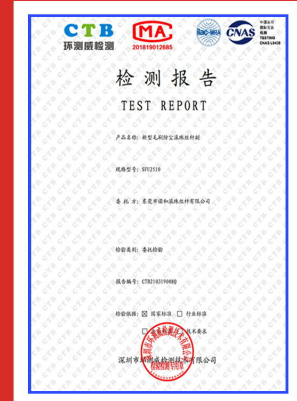


钢珠中心	20.75
钢珠直径(mm)	3.175
导程	20
珠卷数	1x1.8
导程角	17.05°
螺旋方向	R
弹簧力(kg)	0.1~0.3
预压量(kgf)	31
动负荷Ca(kgf)	649
静负荷Ca(kgf)	1134
静动(级数)	0.018

A53
滚珠螺
杆

单位: mm

行程 (mm)	公称型号	螺杆轴长度(mm)			轴心偏摆 ↕
		L1	L2	L3	
200	XSVR02020A1DGC5-399-P1	289	314	399	0.035
300	XSVR02020A1DGC5-499-P1	389	414	499	0.040
400	XSVR02020A1DGC5-599-P1	489	514	599	0.050
500	XSVR02020A1DGC5-699-P1	589	614	699	0.065
600	XSVR02020A1DGC5-799-P1	689	714	799	0.065
700	XSVR02020A1DGC5-899-P1	789	814	899	0.085
800	XSVR02020A1DGC5-999-P1	889	914	999	0.085
900	XSVR02020A1DGC5-1099-P1	989	1014	1099	0.110
1000	XSVR02020A1DGC5-1199-P1	1089	1114	1199	0.110



ISO9001质量管理体系认证企业



电话：0769-85593351/81222185

传真：0769-85834150

E-mali：dg_novo@163.com

企业官网：www.novo.net.cn/www.gdnkj.com

阿里巴巴：https://nuohekeji.1688.com

淘宝店铺：http://novoballscrew.taobao.com

迈迪网店铺：http://80088043.maidiyun.com(里面提供3D图供参考)

工厂地址：东莞市厚街镇白濠振威路1号厂房(诺和滚珠丝杆工业园)



扫码联系销售经理