

二氧化氯传感器 0-50 ppm

性能表征

产品型	CLE-0851-400
量程	0 to 50 ppm
灵敏度	0.40 ± 0.18 μA/ppm
基线 (20°C)	< ± 0.02 μA
基线漂移 (-20 to 40°C)	相当于 0 to -0.3 ppm
分辨率	0.05 ppm
响应时间(T ₉₀)	≤ 60 秒
线性度	线性
长期稳定性	< 2% 信号值/月

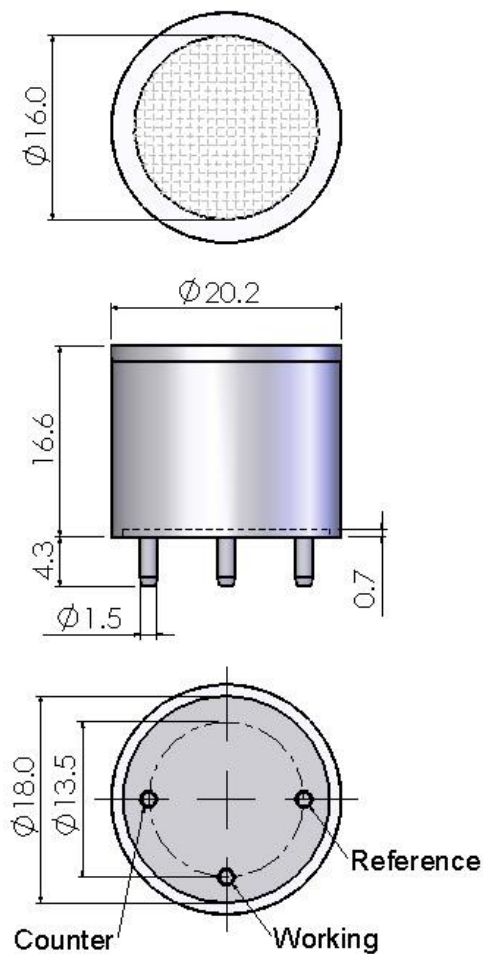
工作条件

工作温度	-20 °C to 50 °C
工作湿度	15 to 90%RH (无冷凝)
工作压力	90 to 110 kPa
偏压	0 mV
储存时间	6 个月 (专用包装盒中)
储存温度	0 to 20°C
使用寿命	空气中 2 年
质保期	交货后 12 个月

物理性能

重量	约 5 克
方位要求	无

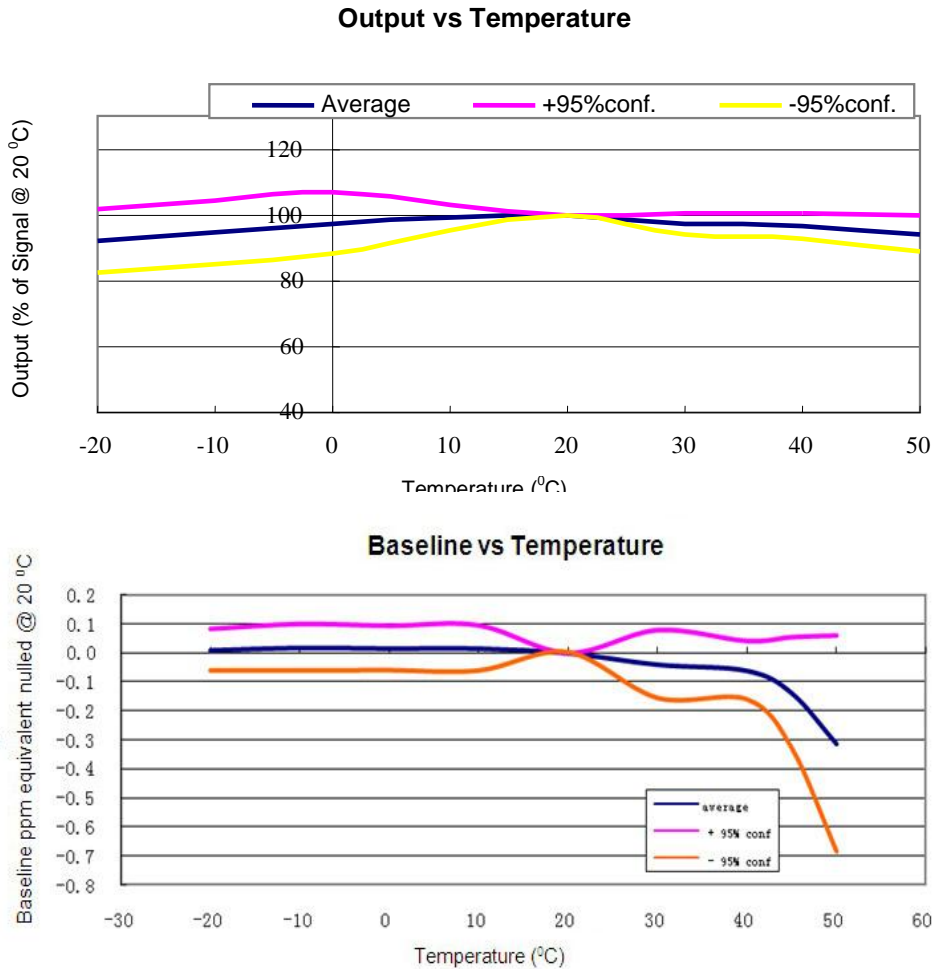
Outline Dimensions



All dimensions are in millimeters.
All tolerances are ±0.2mm.

Note: 推荐使用 PCB 插座来连接传感器，焊接会损害传感器。

温度影响



交叉灵敏度

气体	Concentration (ppm)	Output Signal (相当于 ppm ClO ₂)
硫化氢	20	-4.5
异丁烯	5000	0
二氧化氮	10	13.5
氢气	3000	0
一氧化碳	100	0
二氧化碳	5000	0
氯气	10	12

使用须知

1. 以上所有性能规格都是在环境条件：温度 20 °C, 相对湿度 50% RH, 一个大气压（100 kPa 或环境压力）下测得。
2. 推荐用目标气体进行标定。如果用交叉敏感气体进行标定，我们不保证其标定和测量的准确度。
3. 交叉灵敏度会有 +/- 30% 的浮动，并且可能随着传感器的生产批次不同和传感器的寿命而变化。
4. 上述交叉灵敏度包括但不限于上述气体，该传感器有可能对其他气体有响应。

二氧化氯传感器 0-1 ppm

性能表征

产品型号	CLE-0810-400
量程	0 to 1 ppm
灵敏度	0.65 ± 0.30 μA/ppm
基线 (20°C)	< ± 0.02 μA
基线漂移	相当于-0.06 to 0.03 ppm
(-20 °C to 40 °C)	
分辨率	0.03 ppm
响应时间(T ₉₀)	≤ 60 秒
线性度	线性
长期稳定性	< 2%信号值/月

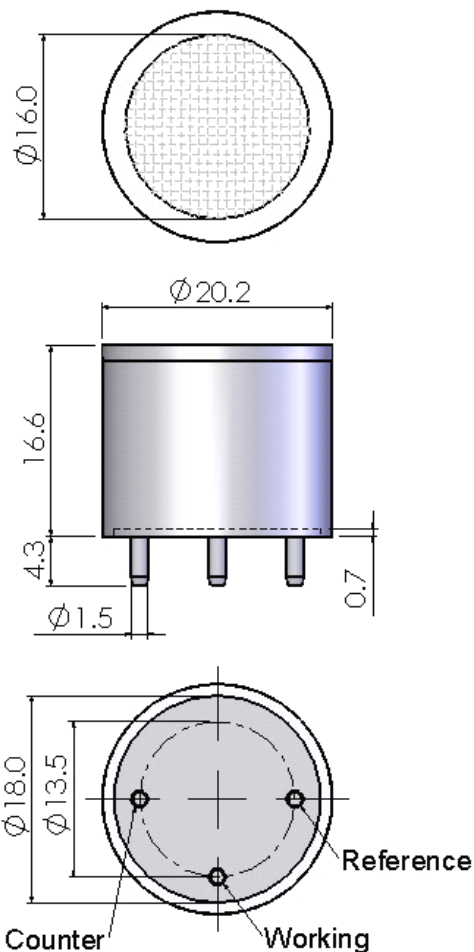
工作条件

工作温度	-20 °C to 50 °C
工作湿度	15 to 90%RH (无冷凝)
工作压力	90 to 110 kPa
偏压	0 mV
储存时间	6 个月 (专用包装盒中)
储存温度	0 °C to 20 °C
使用寿命	空气中 2 年
质保期	交货后 12 个月

物理性能

重量	约 5 克
方位要求	无

Outline Dimensions

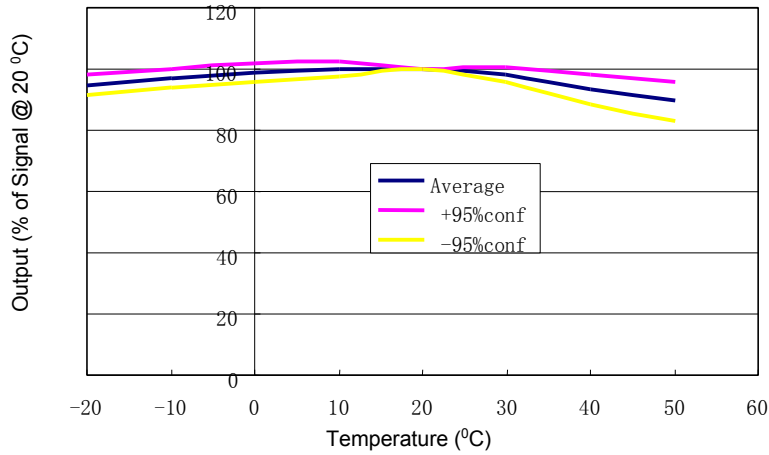


All dimensions are in millimeters.
All tolerances are ±0.2mm.

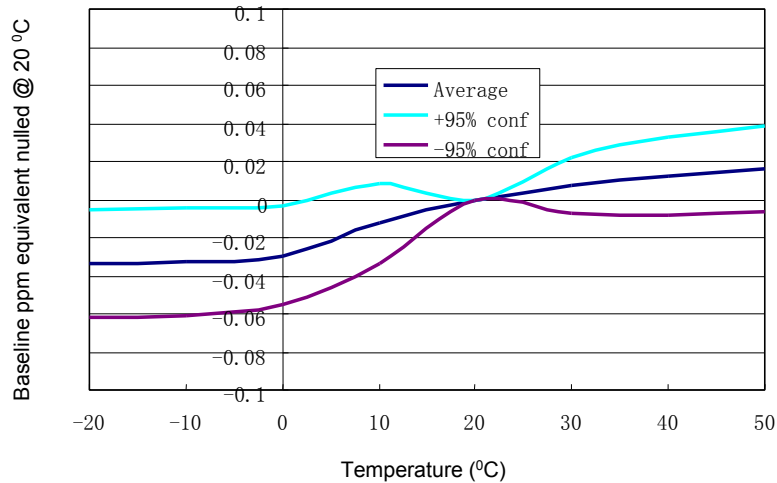
Note: 推荐使用 PCB 插座来连接传感器，焊接会损害传感器。

温度影响

Output vs Temperature



Baseline vs Temperature



交叉灵敏度

气体	浓度 (ppm)	输出信号 (相当于 ppm ClO ₂)
二氧化碳	5000	0
一氧化碳	100	0
氯气	1	0.35
氢气	3000	0
硫化氢	20	-12
二氧化氮	10	6

使用须知

1. 以上所有性能规格都是在环境条件：温度 20 °C, 相对湿度 50% RH, 一个大气压 (100 kPa 或环境压力) 下测得。
2. 推荐用目标气体进行标定。如果用交叉敏感气体进行标定, 我们不保证其标定和测量的准确度。
3. 交叉灵敏度会有 +/- 30% 的浮动, 并且可能随着传感器的生产批次不同和传感器的寿命而变化。
4. 上述交叉灵敏度包括但不限于上述气体, 该传感器有可能对其他气体有响应。

Chlorine Dioxide

Sensoric ClO₂ 3E 1 O (unfiltered)

Product Data Sheet

Sensoric ClO₂ 3E 1 O

FEATURES

Amperometric 3 electrode sensor cell
Low susceptibility to abrupt changes of humidity
Interference to Chlorine
High selectivity
0 voltage biased operation

TYPICAL APPLICATIONS

Pulp & Paper Industry, Water treatment plants, Desinfection
Portable and fixed point monitoring of TLV levels

PART NUMBER INFORMATION

MINI	2731-331-30009
SENSORIC CLASSIC	2731-331-30069
CTL 4 series adaptation	2731-331-30049
CTL 7 series adaptation	2731-331-30079

Note:

It is recommended to cross calibrate with 1 –5 ppm chlorine

Sensoric deems the data contained herein as factual, and the opinions expressed are those of qualified experts based on the results of tests conducted. The above data can not be used as a warranty provision or representation for which Sensoric assumes legal responsibility. The data are offered solely for consideration, investigation and verification. Any use of this information is subject to federal, state and local laws and regulations.

Product Data Sheet

Sensoric ClO₂ 3E 1 O

TECHNICAL SPECIFICATIONS

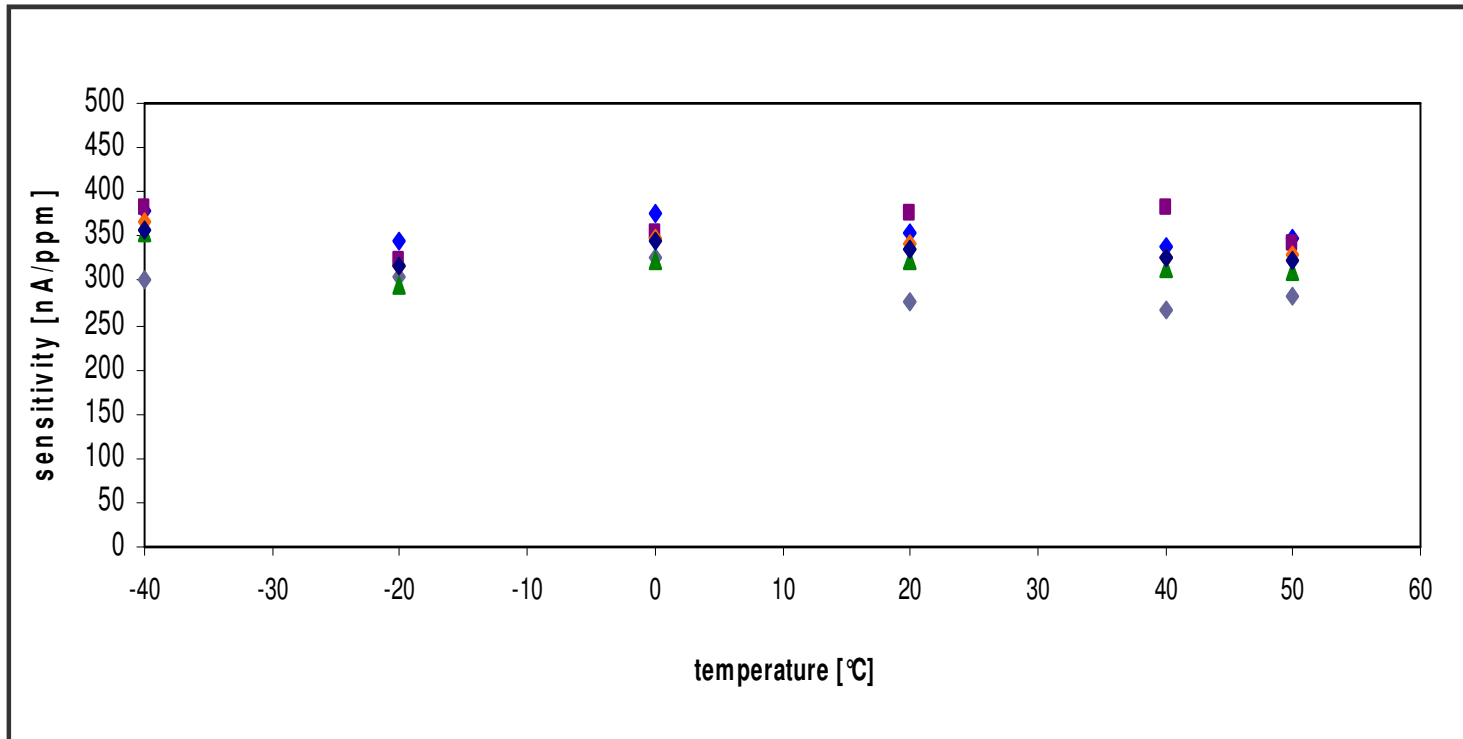
Measuring Range	0–1 ppm
Sensitivity Range	600 nA/ppm ± 200 nA/ppm (negative signal)
Zero Current at 20 °C	< ± 15 nA
Resolution at 20 °C	< 0.03 ppm
Bias Potential	0 mV
Linearity	< 10% full scale
Response Time at 20 °C	
t ₅₀	< 20 s calculated from 4 min. exposure time
t ₉₀	< 120 s (typically < 60 s), calculated from 4 min. exposure
Long Term Sensitivity Drift	<10% per 6 months
Operation Conditions	
Temperature Range	-20 °C to +40 °C
Humidity Range	15–90% r.H, non–condensing
Effect of Humidity	no effect
Sensor Life Expectancy	> 24 months in air
Warranty	12 months

Sensoric deems the data contained herein as factual, and the opinions expressed are those of qualified experts based on the results of tests conducted. The above data can not be used as a warranty provision or representation for which Sensoric assumes legal responsibility. The data are offered solely for consideration, investigation and verification. Any use of this information is subject to federal, state and local laws and regulations.

Product Data Sheet

Sensoric ClO2 3E 1 O

OUTPUT vs. TEMPERATURE:
(calibration has been done using 1 ppm Cl2 instead of ClO2)



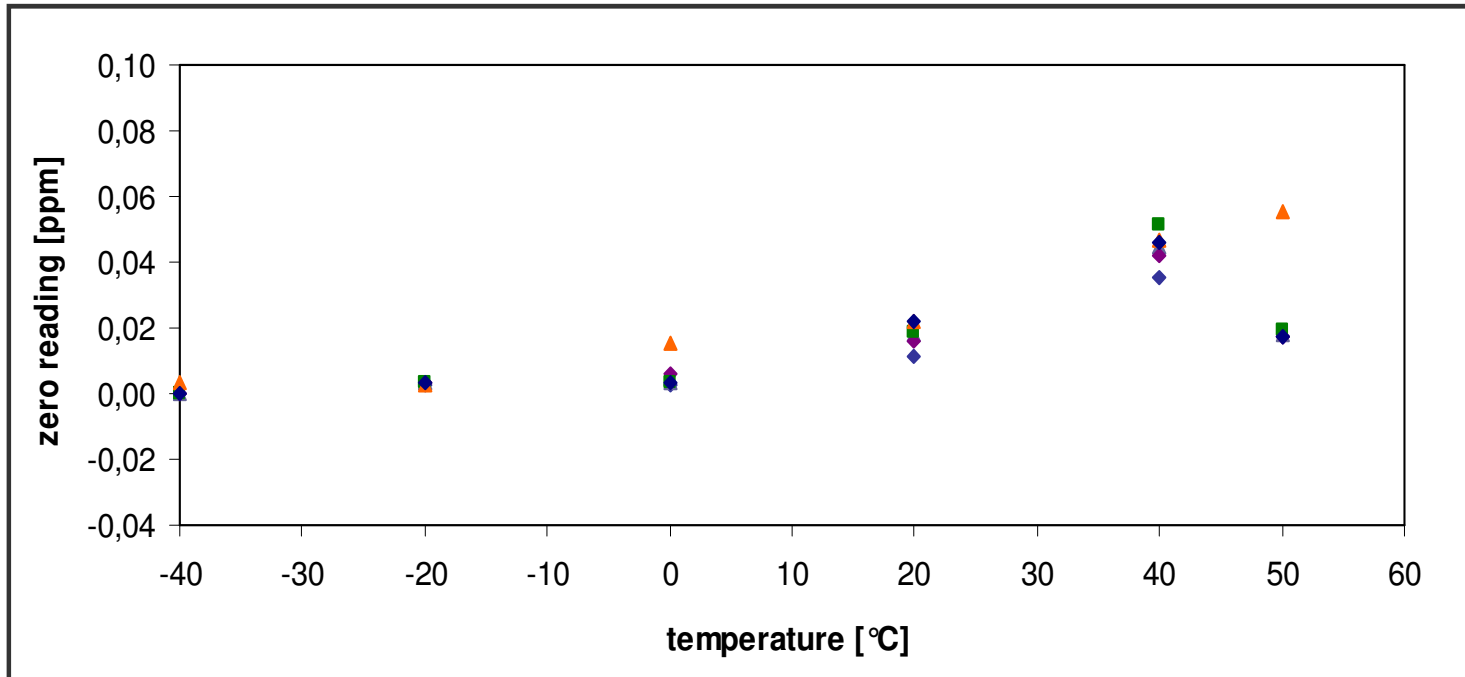
Sensoric deems the data contained herein as factual, and the opinions expressed are those of qualified experts based on the results of tests conducted. The above data can not be used as a warranty provision or representation for which Sensoric assumes legal responsibility. The data are offered solely for consideration, investigation and verification. Any use of this information is subject to federal, state and local laws and regulations.

Rev. 11/2011

Product Data Sheet

Sensoric ClO2 3E 1 O

ZERO READING vs. TEMPERATURE:
(calibration has been done using 1 ppm Cl₂ instead of ClO₂)



Sensoric deems the data contained herein as factual, and the opinions expressed are those of qualified experts based on the results of tests conducted. The above data can not be used as a warranty provision or representation for which Sensoric assumes legal responsibility. The data are offered solely for consideration, investigation and verification. Any use of this information is subject to federal, state and local laws and regulations.

Rev. 11/2011

Product Data Sheet

Sensoric ClO₂ 3E 1 O

CROSS SENSITIVITIES AT 20 °C

Gas	Concentration	Reading [ppm]
Alcohols	1000 ppm	0
Carbon Monoxide	100 ppm	0
Chlorine	1 ppm	0.6
Ozone	0.25 ppm	0.7
Hydrogen	3000 ppm	0
Hydrogen Sulfide	20 ppm	-5

Notes:

1. Interference factors may differ from sensor to sensor and with life time.
2. This table does not claim to be complete. The sensor might also be sensitive to other gases.
3. It is recommended to use 1 – 5 ppm Cl₂ for cross calibration.

Sensoric deems the data contained herein as factual, and the opinions expressed are those of qualified experts based on the results of tests conducted. The above data can not be used as a warranty provision or representation for which Sensoric assumes legal responsibility. The data are offered solely for consideration, investigation and verification. Any use of this information is subject to federal, state and local laws and regulations.

Product Data Sheet

Safety Note

This sensor is designed to be used in safety critical applications. To ensure that the sensor and/or instrument in which it is used, are operating properly, it is a requirement that the function of the device is confirmed by exposure to target gas (bump check) before each use of the sensor and/or instrument. Failure to carry out such tests may jeopardize the safety of people and property.

Attention

Use of the Sensoric range sensors requires complete understanding of the instructions. Before using Sensoric range sensors please carefully read 'Application Notes' which can be found at www.citytech.com under the heading 'Support' -> 'Application Notes' -> 'Sensoric'

Product Safety Data Sheets (PSDS) can be obtained at www.citytech.com under the heading 'Support' -> 'Product Safety Datasheets'

For further assistance on sensor selection and use, please contact a member of the Technical Sales team.

Sensoric deems the data contained herein as factual, and the opinions expressed are those of qualified experts based on the results of tests conducted. The above data can not be used as a warranty provision or representation for which Sensoric assumes legal responsibility. The data are offered solely for consideration, investigation and verification. Any use of this information is subject to federal, state and local laws and regulations.

Rev. 11/2011