



Cat.6 Shielded Module (Keystone Jack)

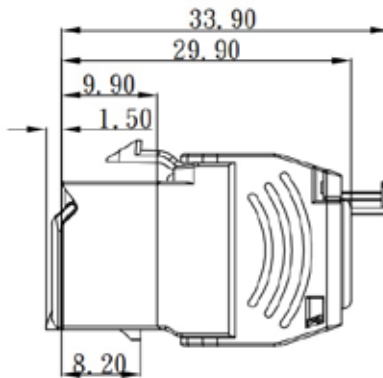


Product advantage

- Class VI shielded module meets ANSI/TIA 568.2-D Cat.6 ISO/IEC 11801 2nd class E and EN50173 2nd edition standard; The transmission bandwidth is more than 250MHz.
- The module body is formed by metal mold, providing 360° shielding layer, which can achieve the best shielding effect.
- The module is equipped with a rotary dust cover to reduce dust intrusion (IP20 rated) and reduce the failure rate of the module.
- The circuit board IDC terminal adopts the press in technology, which can effectively reduce the capacitance effect and suppress the crosstalk.
- The module has EIA color code sticker, which conforms to two wiring methods of T568A and T568B.
- It supports the quick installation mode of the traditional 110 threading tool and the special 4-Pair threading tool (FL-KM18T).
- Comply with ROHS 2011/65/eu environmental protection standards.
- *FL-62KS-TM tool less Cat.6 shielded keystone jack makes installation easier and faster with more guaranteed performance.

Product characteristics

- Shell metal material: zinc alloy
- Plastic material in shell: fire resistant ABS
(in accordance with UL-94V-0)
- Contact material: copper tin plating
- Contact plating: 50μ Gold Plated / 100μ plate with nickel
- Interface plugging times: >1000 (IEC 603.7/classa)
- IDC wiring and termination times: >200
- Plug and pull resistance: minimum 11lbf (50N) between plug and interface
- Contact pressure of plug and interface: 100 grams minimum for each contact
- Operating temperature: -40 °C to +75 °C
- Insulation strength (conductor conductor):1000VAC, 60hz/1min
- Insulation impedance: >500M ohms (500VDC)
- Contact impedance: <20M ohm
- Rated voltage / current: 150VAC/1.5Ampere



Meet the standards

- TIA/EIA 568-B.2-1 Category 6
- ANSI/TIA 568.2-D Category 6
- ISO/IEC 11801 2nd Edition
- EN 50173 2nd Edition
- EN 55022 Class B



90W 4PPoE

Order information

Product model	Description	Packing
FL-62KS	Cat.6 RJ45/s Keystone jack 180 degree	1pc/pk
FL-62KS-TM	Slim Type Cat.6 RJ45/s Tool less Keystone Jack 180°	1pc/pk
FL-RJSR-02	Keystone Jack Color Shutter,blue	100pcs/pk
FL-RJSR-05	Keystone Jack Color Shutter, yellow	100pcs/pk
FL-RJSR-06	Keystone Jack Color Shutter,red	100pcs/pk



Can be used

- 10/100Base-T
- 1000Base-T
- 2.5G/5GBase-T
- 1.2/2.4Gbps ATM
- TP-PMD(ANSI X3T9.5 100Mbps)
- 4/16Mbps Token Ring
- ISDN, VoIP
- PoE++ (Type 4)

ETL Verified for support IEEE 802.3bt Type 4



FL-62KS