



MPTL Cat.6 Unshielded field termination connector



Product advantage

- ANSI/TIA 568.2-D, TIA/EIA 568-B.2 Cat.6 standards.
- Short body design (< 50mm), suitable for most AP and other terminal equipment.
- Repeatedly plug and unplug more than 1000 times.
- Gold plating of contact surface shall comply with UL/CSA FCC part 68 standard.
- Comply with RoHS 2011/65/EU environmental protection standards.

Product characteristics

Plastic insulation material, polycarbonate, UL-94V-0
 Contact plating: 50 μ Gold plated +100 μ plate with nickel
 Surface material voltage withstand strength: 1000V DC
 Applicable temperature: -20 °C ~+75 °C
 Plug and pull resistance: minimum 11lbf (50N)
 Interface plugging times: >1000
 Insulation strength (conductor conductor):1000VAC, 60hz/1min
 Insulation impedance: >500M ohms (500VDC)
 Rated voltage / current: 150VAC/1.5Ampere
 Applicable wire: 23AWG~26AWG

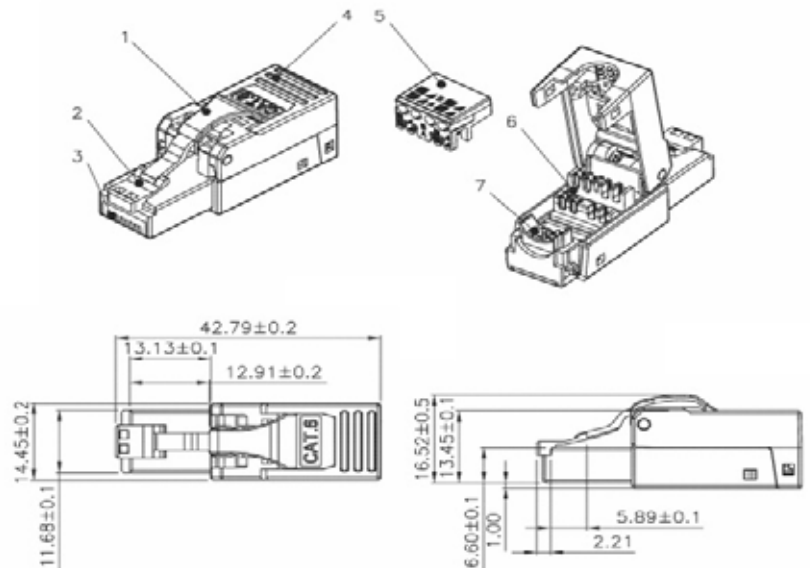


Meet the standards

TIA/EIA 568-B.2-1 Category 6
 ANSI/TIA 568.2-D Category 6
 ISO/IEC 11801 2nd Edition

Can be used

10/100Base-T
 1000Base-T
 2.5G/5GBase-T
 TP-PMD(ANSI X3T9.5 100Mbps)
 ISDN
 VoIP
 PoE+



Order information

Product model	Description	Packing
FL-61MPTLU	Cat.6 RJ45/u Field terminated plug (short body)	1pc/pk