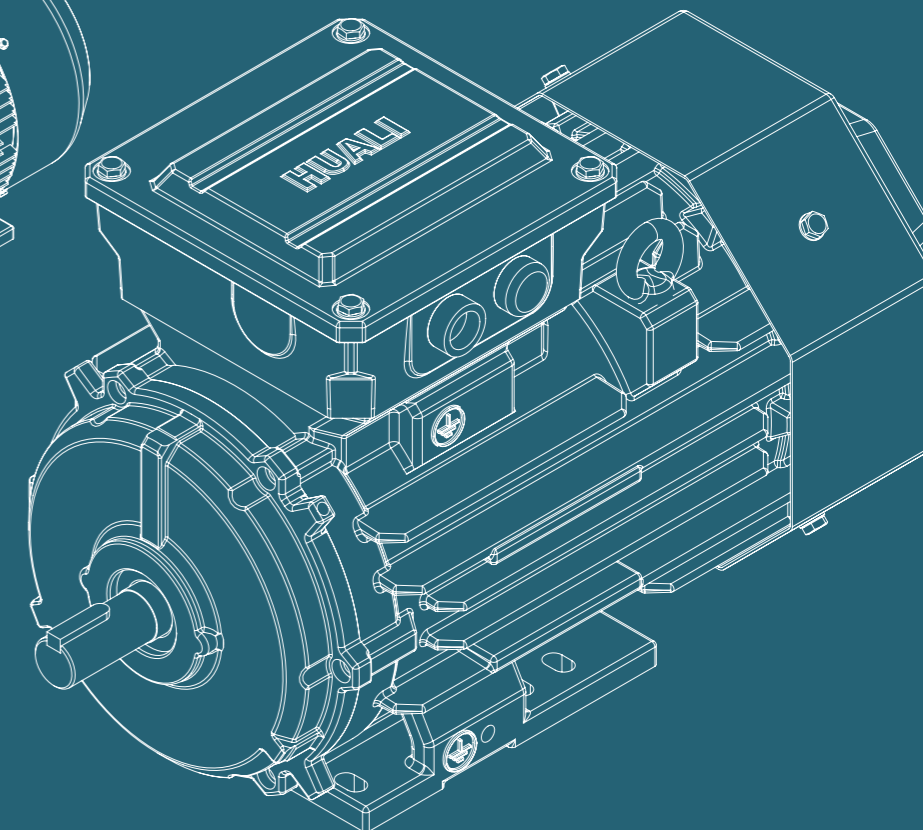
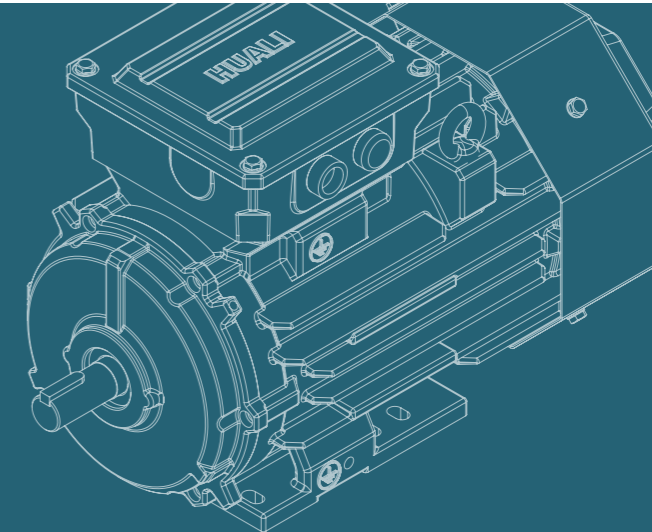
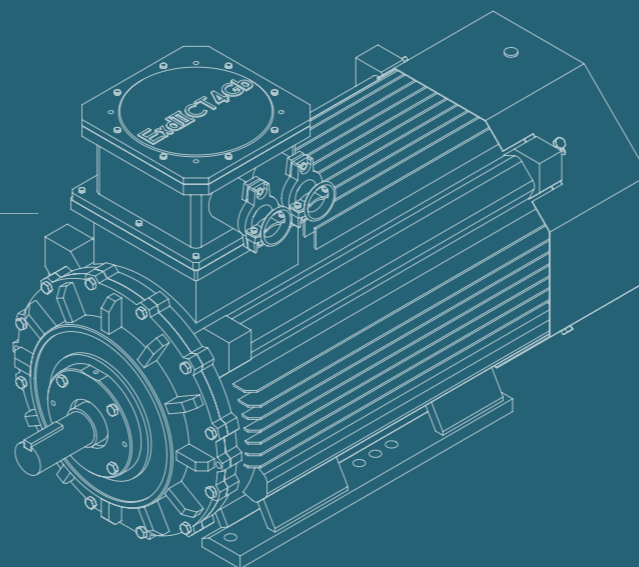
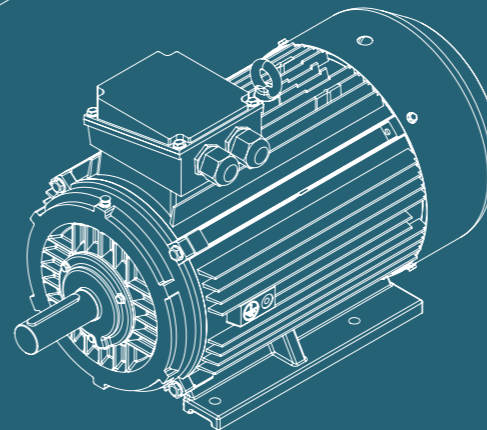
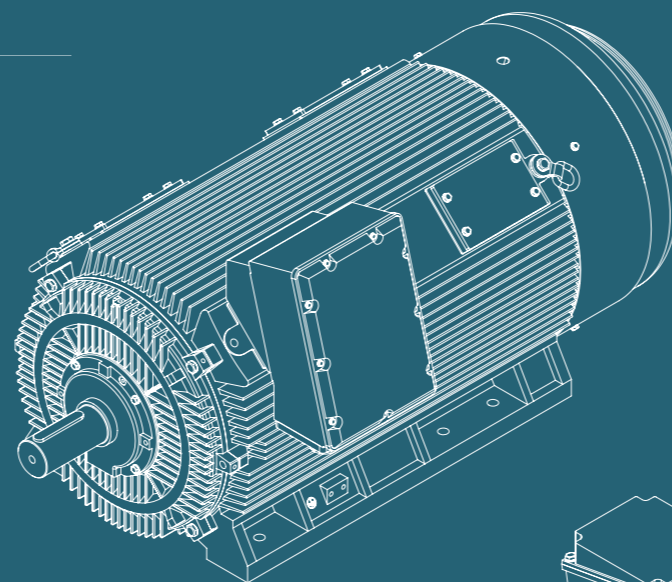


山东华力电机集团股份有限公司  
 Shan Dong HuaLi Electric Motor Group CO.,LTD.  
 地址: 山东省荣成市荣昌路9号  
 Add.No.9 Rongchang Road,Rongcheng,Shandong  
 邮编(P.C.):264300  
 办公室(Office):0631-7551153  
 经营计划部(Tel): 0631-7551307  
 Sales Dept(Tel): 0631-7551307  
 传真(Fax): 0631-7553744  
 产品开发部(总部): 0631-7587026 7587027  
 Department of Technology: 0631-7587026 7587027  
 售后服务部: 0631-7555999  
 Technical Service(Tel):0631-7555999  
 Http://www.hualimotor.com.cn  
 E-mail:info@hualimotor.com.cn

山东华力电机集团荣成工业新区  
 HuaLi Group Rongcheng New Industry District  
 地址: 山东省荣成市富源南路89号  
 Add.No.89 Fu Yuan South Road,Rongcheng,Shandong  
 邮编(P.C.):264300  
 进出口部(Tel): 0631-7551302  
 传真(Fax): 0631-7581937  
 Import & Export Dept (Tel): 0631-7551302  
 产品开发部(园区): 0631-7527221  
 Department of Technology: 0631-7527221

山东华力电机集团苏州制造有限公司  
 Shan Dong HuaLi Electric Motor Suzhou Manufacture CO.,LTD.  
 地址: 江苏省苏州市新区泰山路188号  
 Add.No.188, Taishan Road, Suzhou City, Jiangsu  
 邮编(P.C.):215011  
 办公室(Office): 0512-88186811  
 传真(Fax): 0512-88186810  
 经营计划部: 0512-88186833  
 Sales Dept(Tel): 0512-88186833  
 传真(Fax): 0512-88186832  
 开发部(Tel): 0512-88186834  
 Department of Technology:0512-88186834



## YE5系列三相异步电动机

YE5 SERIES SUPER-PREMIUM 3-PHASE ASYNCHRONOUS MOTOR

订货须知 Ordering instruction:  
 本样本仅供用户参考, 具体数据内容可能会有变动, 订货请惠于联系。  
 This catalogue is only a reference for users. The date may be changed, please contact us before ordering.  
 订货时请详细说明产品型号, 额定功率, 同步转速, 电压及频率, 绝缘等级, 安装结构型式等。  
 Please type rated output, synchronous speed, voltage and frequency, insulation class, mounting type etc, when ordering.  
 如有特殊要求, 经双方协议后, 还可供应其它特殊规格电机。  
 For special requirement, please contact us, we may supply special type of motor.

2023年9月



山东华力电机集团股份有限公司  
 SHANDONG HUALI ELECTRIC MOTOR GROUP CO.,LTD.

山东·荣成



## 企业简介 Introduction

山东华力电机集团股份有限公司创立于1970年,经过持续稳步发展,已成为集科研、生产、营销、服务于一体的现代化企业集团。公司下辖荣成崂山工业区、荣成工业新区及苏州工业新区三处制造企业,年生产能力120万台、2000万KW,是全球电机行业具有规模和实力的制造企业之一。

华力集团技术力量雄厚,建有山东省企业技术中心、山东省稀土永磁电机工程技术研究中心,构建起以低压电机为支撑,高压、低压大功率、特种电机为发展方向的产品格局。产品涵盖了YE5系列、YE4系列、YE3系列、HM4系列、HM3系列、YBX5系列、YBX4系列、YBX3系列、YFB5系列、YFB4系列、YFB3系列、YBK3系列、YBBP系列、YB3系列、YVF3系列、YVF2系列、YVF系列、YKK系列、YKS系列等(通用、防爆、船用、起重、冶金、变频、高压、风力发电、轨道交通等)50多个系列20000多个规格,是全球品种、规格齐全的电机制造厂家之一。公司拥有先进的生产检测设备,建立起完善的质量、环境管理体系,通过了ISO9001、ISO14001、CCC、CQC、CE、UL等多项认证认可。

公司坚持“占科技高点、拓全球市场”的发展战略,构筑起国内国际两大市场板块。在全国50多个大中城市建立起仓储式销售分公司,形成了快捷、高效的市场营销和服务网络,产品同时销往欧洲、亚洲、非洲、美洲等40多个国家和地区。企业规模及综合经济效益位居全球电机行业前列。

创新的理念,先进的技术,优良的品质,优质的服务和华力人团结奋进的精神,凝聚成企业不断成长和发展的动力。“创百年华力,树世界品牌”的企业目标正在努力实现!

Since its founding in 1970, through sustained and steady development, it is now a modern enterprise with its own production, distribution, R & D and customer service teams. Huali has built three manufacturing enterprises: Rrongcheng Laoshan Industrial Area, Rongcheng Industrial New Area and Suzhou Industrial Area. The annual production capacity is 1.2 million motors(20 million KW),Huali is one of the manufacturing enterprises of global motor industry with scale and strength.

Huali group has strong technical force, established Shandong enterprise technology center and Shandong province rare earth permanent magnet motor engineering technology research center, Build a product pattern with low-voltage motor as support, high-voltage, low-voltage high-power and special motor as development direction. Our products includes about 20000 varieties types in more than 50 major series. such as, YE5、YE4、YE3、HM4、HM3、YBX5、YBX4、YBX3、YFB5、YFB4、YFB3、YBK3、YBBP、YB3、YVF3、YVF2、YVF、YKK、YKS(General, Explosion Proof, Marine, Lifting, Metallurgy, Frequency, Conversion High Voltage, Wind power generation ,Rail Transit etc).It is one of the motor manufacturers of the global varieties and complete specifications. Our company has advanced production testing equipment, Establish a sound quality and environmental management system. We have passed a number of accreditation such as:ISO9001、ISO14001、CCC、CQC、CE、UL etc.

The company insists on the development strategy of "Occupying the high point of science and technology, Expanding the global market", and constructs two major market plates of domestic and international. Store sales branches have been established in more than 50 large and medium-sized cities throughout the country, which created a highly efficient sale and service network. The products are also sold to more than 40 countries and regions such as Europe, Asia, Africa and America. The scale and comprehensive economic benefits of the enterprises rank in the forefront of the global motor industry.

Innovative ideas, advanced technology, excellent quality, high quality service and the spirit of unite and endeavour of Huali people, condensed into a continuous growth and development of the enterprise power. With such power, Huali and tis people will make the dream that "Creating a centennial Huali, Establishing a global brand" are being come true!





## → YE5 系列三相异步电动机 SERIES Super-Premium 3-Phase Asynchronous Motor



### ▶ 产品概述 Product Introduction

YE5系列三相异步电动机符合GB18613-2020《电动机能效限定值及能效等级》中规定的一级效率标准。同时，符合IEC 60034-30-1:2014标准的IE5能效等级。

其提高效率设计，符合国家对生产制造行业提出节能降耗的要求。

YE5系列电机的安装尺寸符合IEC 60034标准。具有结构合理，外形美观，效率高，噪音低，防护等级、绝缘等级高、长寿、长可靠等优点，可广泛应用于风机、水泵、机床、压缩机和运输机械等驱动各种通用机械设备，具有超大的过载倍数，更可在石油、化工、钢铁、矿山等其它环境比较恶劣的场所使用。

YE5 series three-phase asynchronous motor is in line with the first efficiency standard in the provisions of GB18613-2020 "Minimum allowable values of energy efficiency and values of efficiency grades for motors". Meanwhile, IE5 efficiency standard is also be satisfied in the provisions of IEC 60034-30-1:2014.

Improvement on design of efficiency is in line with the state's requirements on the energy saving and consumption reducing of the manufacturing sector.

YE5 series motors with the mounting dimension in accordance with standard IEC 60034, it has good features like, optimum structure, attractive appearance, low noise, high efficiency, high protection class as well as high insulation class, long service life, reliability. YE5 series motors can be widely used in various kinds of general use machineries like fans, pumps, machine tools, compressors, transportation and so on, it has a large overload multiple, and can be used in the hazardous areas with oil and chemical, steel plants, mining industry.

### ▶ 详细说明 Specification

#### ◆现场条件

YE5 系列电动机可适用于大多数的场合及环境。电动机标准工作条件为 -20°C到 +40°C, 海拔 1000 米。

#### Site conditions

YE5 series motors are suitable for almost all applications and operate satisfactorily at temperature from -20°C to +40°C and altitudes up to 1000 meters above sea level.

#### ◆温升和绝缘

电动机按 F 级绝缘设计 (155°C), 按 B 级绝缘考核 (80K), 电动机的使用寿命和可靠性得到保证。

#### Temperature and insulation

F class (155°C) insulation system and temperature rise class B (80K) are adopted to the motor, which increase the motor useful life and reliability.

#### ◆冷却和通风

标准冷却方式为全封闭自扇冷 (TEFC)。标准电机装有轴流式塑料风扇。符合 IEC 60034-6 中 IC411 的规定。

#### Cooling and ventilation

The standard cooling method is totally Enclosed Fan Cooled (TEFC) in accordance with IC411 of IEC 60034-6. Standard motors are equipped with centrifuge plastic fans.

#### ◆防护等级

电动机的防护等级为 IP55, 可用于含尘或潮湿环境。也可根据客户要求提供更高防护等级的电动机。

#### Protection class

The standard protection degree of motor is IP55, which make moist and dusty condition is also allowable. Higher degree of protection is also available according to customer's requirement.

#### ◆电机保护

可根据要求安装 PTC、PT100 等绕组和轴承测温及保护装置。

#### Motor protection

The protection and measurement equipment to Winding and bearing such as PTC, PT100 are available on request.

#### ◆电压、频率

标准电机为 380V/50HZ。可设计 200-660V 范围内任意电压的 50Hz 的电动机。在供电电压偏离额定电压 ±5% 的情况下, 仍能良好运行。

#### Voltage and frequency

Standard voltage and frequency is 380V/ 50HZ, special value on voltage and frequency is available on request. The motors will operate satisfactorily with variations of ±5% from the rated voltage.

#### ◆振动

YE5 系列电动机在空载时振动速度等级符合 A 级。特殊要求时, 可提供 B 级电动机。

#### Vibration

Standard vibration class is A during no-load condition; higher vibration class B is available on request.

#### ◆质量保证

从产品设计到产品出厂, 遵循 ISO9001 质量认证体系, 严格遵守质量程序。

#### Quality assurance

Stringent quality procedures are observed from first design to finished products in accordance with ISO9001 documented quality systems.

## 技术数据 Technical Data

### 2极-同步转速3000r/min 50Hz 2pole-3000rpm synchronous speed 50Hz

型号 motor type	额定 功率 rated output kW	额定 转速 rated speed rpm	额定 电流 IFL 380V A	额定 电流 IFL 400V A	额定 电流 IFL 415V A	额定 电流 IFL 525V A	效率 EFF %	功率 因数 power factor cosφ	额定 转矩 rated torque N.m	堵转 转矩 TST/TFL	最大 转矩 TM/TFL	堵转 电流 IST/IFL	转动 惯量 M of I kgm <sup>2</sup>	噪音 noise level LW dB(A)	重量 net weight kg
YE5-80M1-2	0.75	2900	1.6	1.5	1.5	1.2	86.3%	0.82	2.5	2.2	2.5	8.2	0.0015	62	19
YE5-80M2-2	1.1	2905	2.3	2.2	2.1	1.7	87.8%	0.82	3.6	2.2	2.5	8.2	0.003	62	40
YE5-90S-2	1.5	2940	3.0	2.9	2.8	2.2	88.9%	0.85	4.9	2.2	2.5	8.2	0.0033	67	42
YE5-90L-2	2.2	2940	4.4	4.1	4.0	3.2	90.2%	0.85	7.1	2.2	2.5	8.2	0.0041	67	49
YE5-100L-2	3	2945	5.8	5.5	5.3	4.2	91.1%	0.87	9.7	2.2	2.5	8.2	0.01	74	74
YE5-112M-2	4	2945	7.5	7.1	6.9	5.4	91.8%	0.88	13.0	2.2	2.5	8.1	0.013	77	78
YE5-132S1-2	5.5	2945	10.3	9.7	9.4	7.4	92.6%	0.88	17.8	2.2	2.5	8.2	0.03	79	131
YE5-132S2-2	7.5	2945	13.7	13.0	12.6	9.9	93.3%	0.89	24.3	2.2	2.5	8.2	0.037	79	137
YE5-160M1-2	11	2965	20.0	19.0	18.3	14.5	94.0%	0.89	35.4	2.2	2.5	8.2	0.078	81	147
YE5-160M2-2	15	2965	27.1	25.7	24.8	19.6	94.5%	0.89	48.3	2.2	2.5	8.5	0.095	81	170
YE5-160L-2	18.5	2965	33.3	31.6	30.5	24.1	94.9%	0.89	59.6	2.2	2.5	8.5	0.11	81	240
YE5-180M-2	22	2970	39.5	37.5	36.2	28.6	95.1%	0.89	70.7	2.2	2.5	8.5	0.19	83	249
YE5-200L1-2	30	2975	53.6	50.9	49.1	38.8	95.5%	0.89	96.3	2.2	2.8	8.5	0.29	84	405
YE5-200L2-2	37	2975	65.9	62.6	60.4	47.7	95.8%	0.89	118.8	2.2	2.8	8.5	0.36	84	410
YE5-225M-2	45	2975	80.0	76.0	73.3	57.9	96.0%	0.89	144.5	2.2	2.8	8.5	0.46	86	437
YE5-250M-2	55	2980	97.6	92.7	89.4	70.6	96.2%	0.89	176.3	2.2	2.8	8.5	1.1	89	631
YE5-280S-2	75	2980	132.7	126.0	121.5	96.0	96.5%	0.89	240.4	2.2	2.8	8.5	1.9	91	1070
YE5-280M-2	90	2980	159.1	151.1	145.6	115.1	96.6%	0.89	288.4	2.2	2.8	8.5	2.29	91	1129
YE5-315S-2	110	2985	191.8	182.2	175.7	138.9	96.8%	0.9	351.9	2.2	2.8	8.5	3.05	92	1615
YE5-315M-2	132	2985	230.0	218.5	210.6	166.5	96.9%	0.9	422.3	2.2	2.8	8.5	3.41	92	1630
YE5-315L1-2	160	2985	278.5	264.5	255.0	201.6	97.0%	0.9	511.9	2.2	2.8	8.5	4.12	92	1848
YE5-315L-2	185	2985	317.8	301.9	291.0	230.0	97.2%	0.91	591.9	2.2	2.8	8.5	4.53	92	1900
YE5-315L2-2	200	2985	343.6	326.4	314.6	248.7	97.2%	0.91	639.9	2.2	2.8	8.5	4.87	92	1920
YE5-355M1-2	220	2990	377.9	359.0	346.0	273.5	97.2%	0.91	702.7	2.0	2.8	8.5	4.4	100	1650
YE5-355M2-2	250	2990	429.4	408.0	393.2	310.8	97.2%	0.91	798.5	2.0	2.8	8.5	4.8	100	1720
YE5-355L-2	280	2990	481.0	456.9	440.4	348.1	97.2%	0.91	894.3	2.0	2.8	8.5	5	100	1950
YE5-3551-2	315	2990	541.1	514.0	495.5	391.6	97.2%	0.91	1006.1	2.0	2.8	8.5	5.6	104	2150
YE5-3552-2	355	2990	609.8	579.3	558.4	441.4	97.2%	0.91	1133.9	2.0	2.8	8.5	5.9	104	2260
YE5-3553-2	400	2990	687.1	652.7	629.2	497.3	97.2%	0.91	1277.6	2.0	2.8	8.5	6.2	104	2340

## 技术数据 Technical Data

### 4极-同步转速1500r/min 50Hz 4pole-1500rpm synchronous speed 50Hz

型号 motor type	额定 功率 rated output kW	额定 转速 rated speed rpm	额定 电流 IFL 380V A	额定 电流 IFL 400V A	额定 电流 IFL 415V A	额定 电流 IFL 525V A	效率 EFF %	功率 因数 power factor cosφ	额定 转矩 rated torque N.m	堵转 转矩 TST/TFL	最大 转矩 TM/TFL	堵转 电流 IST/IFL	转动 惯量 M of I kgm <sup>2</sup>	噪音 noise level LW dB(A)	重量 net weight kg
YE5-80M2-4	0.75	1450	1.7	1.6	1.6	1.2	88.2%	0.75	4.9	2.3	2.5	8.5	0.0055	56	37
YE5-90S-4	1.1	1470	2.5	2.4	2.3	1.8	89.5%	0.75	7.1	2.3	2.5	8.5	0.0049	59	45
YE5-90L-4	1.5	1470	3.3	3.1	3.0	2.4	90.4%	0.77	9.7	2.3	2.5	8.5	0.0056	59	52
YE5-100L1-4	2.2	1470	4.7	4.5	4.3	3.4	91.4%	0.78	14.3	2.3	2.5	8.5	0.019	64	69
YE5-100L2-4	3	1485	6.3	6.0	5.8	4.6	92.1%	0.78	19.3	2.3	2.5	9	0.029	64	79
YE5-112M-4	4	1485	8.2	7.8	7.5	5.9	92.8%	0.8	25.7	2.3	2.5	9	0.039	65	102
YE5-132S-4	5.5	1485	11.2	10.6	10.2	8.1	93.4%	0.8	35.4	2.1	2.5	9	0.092	71	148
YE5-132M-4	7.5	1490	15.0	14.2	13.7	10.8	94.0%	0.81	48.1	2.1	2.5	9	0.099	71	160
YE5-160M-4	11	1490	21.5	20.5	19.7	15.6	94.6%	0.82	70.5	2.1	2.5	9	0.19	73	227
YE5-160L-4	15	1490	28.5	27.1	26.1	20.7	95.1%	0.84	96.1	2.1	2.5	9	0.21	73	253
YE5-180M-4	18.5	1485	35.1	33.4	32.2	25.4	95.3%	0.84	119.0	2.1	2.8	9	0.29	76	274
YE5-180L-4	22	1485	41.7	39.6	38.2	30.2	95.5%	0.84	141.5	2.1	2.8	9	0.34	76	284
YE5-200L-4	30	1485	55.9	53.1	51.2	40.5	95.9%	0.85	192.9	2.1	2.8	9	0.73	76	447
YE5-225S-4	37	1485	68.8	65.4	63.0	49.8	96.1%	0.85	237.9	2.1	2.8	9	0.87	78	503
YE5-225M-4	45	1485	83.5	79.4	76.5	60.5	96.3%	0.85	289.4	2.1	2.8	9	0.96	78	535
YE5-250M-4	55	1490	101.9	96.8	93.3	73.7	96.5%	0.85	352.5	2.1	2.8	9	1.69	79	600
YE5-280S-4	75	1490	135.5	128.7	124.0	98.0	96.7%	0.87	480.7	2.1	2.8	9	4.1	80	1000
YE5-280M-4	90	1490	160.4	152.3	146.8	116.1	96.9%	0.88	576.8	2.1	2.8	9	5.37	80	1190
YE5-315S-4	110	1490	193.6	183.9	177.3	140.1	97.0%	0.89	705.0	2.1	2.8	9	5.9	88	1388
YE5-315M-4	132	1490	232.1	220.5	212.5	168.0	97.1%	0.89	846.0	2.1	2.8	9	6.49	88	1490
YE5-315L1-4	160	1490	277.9	264.0	254.5	201.1	97.2%	0.9	1025.5	1.9	2.8	8.5	7.89	88	1456
YE5-315L-4	185	1490	321.0	304.9	293.9	232.3	97.3%	0.9	1185.7	1.9	2.8	8.5	8.32	88	1566
YE5-315L2-4	200	1490	346.7	329.3	317.4	250.9	97.4%	0.9	1281.9	1.9	2.8	8.5	9.15	88	1569
YE5-355M1-4	220	1490	381.3	362.3	349.2	276.0	97.4%	0.9	1410.1	2.0	2.6	8.5	9.9	92	1960
YE5-355M2-4	250	1490	433.3	411.7	396.8	313.6	97.4%	0.9	1602.3	2.0	2.6	8.5	10.2	92	2080
YE5-355L1-4	280	1490	485.3	461.1	444.4	351.3	97.4%	0.9	1794.6	2.0	2.6	8.5	11.6	92	2190
YE5-3551-4	315	1490	546.0	518.7	499.9	395.2	97.4%	0.9	2019.0	2.0	2.6	8.5	12.8	92	2350
YE5-3552-4	355	1490	622.2	591.1	569.7	450.4	97.4%	0.9	2275.3	2.0	2.6	8.5	13.4	92	2520
YE5-3553-4	400	1490	709.1	673.6	649.3	513.2	97.4%	0.9	2563.8	2.0	2.6	8.5	14.2	92	2680

## 技术数据 Technical Data

### 6极-同步转速1000r/min 50Hz 6pole-1000rpm synchronous speed 50Hz

型号 motor type	额定 功率 rated output kW	额定 转速 rated speed rpm	额定 电流 IFL 380V A	额定 电流 IFL 400V A	额定 电流 IFL 415V A	额定 电流 IFL 525V A	效率 EFF %	功率 因数 power factor cosφ	额定 转矩 rated torque N.m	堵转 转矩 TST/TFL	最大 转矩 TM/TFL	堵转 电流 IST/IFL	转动 惯量 M of I kgm <sup>2</sup>	噪音 noise level LW dB(A)	重量 net weight kg
YE5-90S-6	0.75	980	1.9	1.8	1.7	1.4	85.7%	0.7	7.3	2.1	2.6	8.5	0.0086	57	46
YE5-90L-6	1.1	980	2.7	2.6	2.5	2.0	87.2%	0.71	10.7	2.1	2.6	8.5	0.0098	57	58
YE5-100L-6	1.5	980	3.6	3.4	3.3	2.6	88.4%	0.71	14.6	2.1	2.6	8.5	0.026	61	74
YE5-112M-6	2.2	980	5.2	5.0	4.8	3.8	89.7%	0.71	21.4	2.1	2.6	8.5	0.038	65	90
YE5-132S-6	3	985	7.1	6.7	6.5	5.1	90.6%	0.71	29.1	2.1	2.6	8.5	0.077	69	124
YE5-132M1-6	4	985	9.2	8.8	8.5	6.7	91.4%	0.72	38.8	2.1	2.6	8.5	0.09	69	146
YE5-132M2-6	5.5	985	12.6	12.0	11.5	9.1	92.2%	0.72	53.3	2.1	2.6	8.5	0.11	69	153
YE5-160M-6	7.5	985	16.4	15.5	15.0	11.8	92.9%	0.75	72.7	2.1	2.6	8.5	0.23	73	169
YE5-160L-6	11	985	23.5	22.3	21.5	17.0	93.7%	0.76	106.6	2.1	2.6	8.5	0.26	73	257
YE5-180L-6	15	990	31.4	29.8	28.7	22.7	94.3%	0.77	144.7	2.1	2.6	8.5	0.52	73	235
YE5-200L1-6	18.5	990	37.1	35.3	34.0	26.9	94.6%	0.8	178.5	2.1	2.6	8.5	0.64	73	375
YE5-200L2-6	22	990	44.0	41.8	40.3	31.9	94.9%	0.8	212.2	2.1	2.6	8.5	0.74	73	418
YE5-225M-6	30	990	59.0	56.1	54.1	42.7	95.3%	0.81	289.4	2.1	2.6	8.5	1.37	74	515
YE5-250M-6	37	990	70.8	67.3	64.9	51.3	95.6%	0.83	356.9	2.1	2.6	8.5	2.51	76	598
YE5-280S-6	45	990	84.0	79.8	76.9	60.8	95.8%	0.85	434.1	2.1	2.6	8.5	4.09	78	850
YE5-280M-6	55	990	102.4	97.3	93.8	74.1	96.0%	0.85	530.6	2.1	2.6	8.5	4.65	78	900
YE5-315S-6	75	995	140.9	133.8	129.0	102.0	96.3%	0.84	719.8	2.1	2.6	8.5	9.06	83	1235
YE5-315M-6	90	995	168.7	160.3	154.5	122.1	96.5%	0.84	863.8	2.1	2.6	8.5	10.54	83	1378
YE5-315L1-6	110	995	206.0	195.7	188.6	149.1	96.6%	0.84	1055.8	2.1	2.6	8.5	11.04	83	1430
YE5-315L2-6	132	995	246.7	234.3	225.9	178.5	96.8%	0.84	1266.9	2.1	2.6	8.5	12.05	83	1517
YE5-355M1-6	160	995	291.4	276.8	266.8	210.9	97.0%	0.86	1535.7	1.9	2.4	8.0	12.9	85	1760
YE5-355M-6	185	995	337.0	320.1	308.5	243.9	97.0%	0.86	1775.6	1.9	2.4	8.0	13.4	85	1810
YE5-355M2-6	200	995	364.3	346.1	333.6	263.7	97.0%	0.86	1919.6	1.9	2.4	8.0	13.9	85	1960
YE5-355L1-6	220	995	400.7	380.7	366.9	290.0	97.0%	0.86	2111.6	1.9	2.4	7.8	14.4	85	2150
YE5-3551-6	250	995	455.3	432.6	416.9	329.6	97.0%	0.86	2399.5	1.9	2.4	7.8	14.8	91	2340
YE5-3552-6	280	995	510.0	484.5	467.0	369.1	97.0%	0.86	2687.4	1.9	2.4	7.8	15.2	91	2460
YE5-3553-6	315	995	573.7	545.0	525.3	415.3	97.0%	0.86	3023.4	1.9	2.4	7.8	15.8	91	2580

## 技术数据 Technical Data

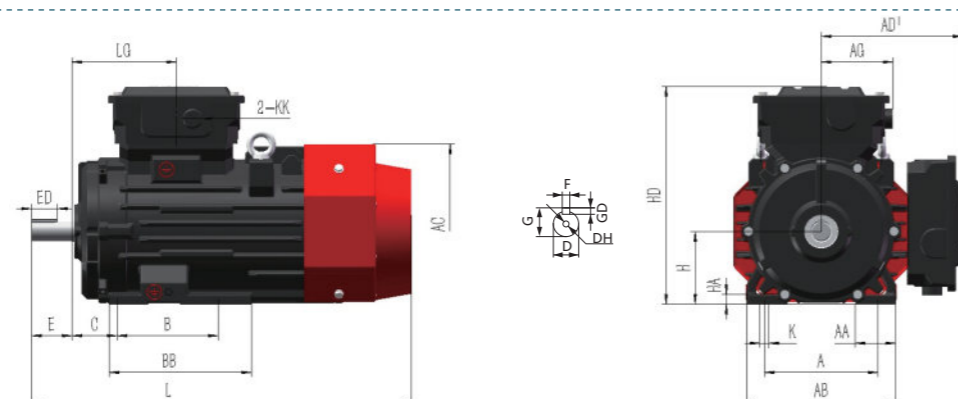
### 8极-同步转速750r/min 50Hz 8pole-750rpm synchronous speed 50Hz

型号 motor type	额定 功率 rated output kW	额定 转速 rated speed rpm	额定 电流 IFL 380V A	额定 电流 IFL 400V A	额定 电流 IFL 415V A	额定 电流 IFL 525V A	效率 EFF %	功率 因数 power factor cosφ	额定 转矩 rated torque N.m	堵转 转矩 TST/TFL	最大 转矩 TM/TFL	堵转 电流 IST/IFL	转动 惯量 M of I kgm <sup>2</sup>	噪音 noise level LW dB(A)	重量 net weight kg
YE5-100L1-8	0.75	715	2.1	2.0	1.9	1.5	82.0%	0.67	10.0	2	2.5	7.2	0.015	59	50
YE5-100L2-8	1.1	720	3.0	2.8	2.7	2.1	84.0%	0.67	14.6	2	2.5	7.2	0.022	59	54
YE5-112M-8	1.5	720	3.9	3.7	3.5	2.8	85.5%	0.69	19.9	2	2.5	7.2	0.029	61	80
YE5-132S-8	2.2	730	5.6	5.3	5.1	4.0	87.2%	0.69	28.8	2	2.5	7.2	0.062	64	84
YE5-132M-8	3	730	7.3	6.9	6.6	5.3	88.4%	0.71	39.2	2	2.5	7.2	0.077	64	90
YE5-160M1-8	4	735	9.6	9.1	8.8	6.9	89.4%	0.71	52.0	2	2.5	7.2	0.13	68	148
YE5-160M2-8	5.5	735	12.8	12.2	11.8	9.3	90.4%	0.72	71.5	2	2.5	7.2	0.17	68	157
YE5-160L-8	7.5	735	17.3	16.5	15.9	12.5	91.3%	0.72	97.4	2	2.5	7.2	0.23	68	211
YE5-180L-8	11	740	24.8	23.6	22.7	18.0	92.2%	0.73	142.0	2	2.5	7.5	0.35	70	294
YE5-200L-8	15	740	33.6	31.9	30.8	24.3	92.9%	0.73	193.6	2	2.5	7.5	0.64	73	350
YE5-225S-8	18.5	740	40.2	38.2	36.8	29.1	93.3%	0.75	238.8	2	2.5	7.5	1.11	73	465
YE5-225M-8	22	740	47.0	44.6	43.0	34.0	93.6%	0.76	283.9	2	2.5	7.5	1.37	73	643
YE5-250M-8	30	745	62.9	59.8	57.6	45.5	94.1%	0.77	384.6	2	2.5	7.5	2.35	75	510
YE5-280S-8	37	745	76.3	72.5	69.9	55.3	94.4%	0.78	474.3	2	2.5	7.5	4.229	76	535
YE5-280M-8	45	745	91.4	86.8	83.7	66.1	94.7%	0.79	576.8	2	2.5	7.5	5.87	76	625
YE5-315S-8	55	745	111.5	105.9	102.1	80.7	94.9%	0.79	705.0	2	2.5	7.5	8.86	82	1188
YE5-315M-8	75	745	149.5	142.0	136.9	108.2	95.3%	0.8	961.4	2	2.5	7.5	10.54	82	1283
YE5-315L1-8	90	745	179.0	170.0	163.9	129.6	95.5%	0.8	1153.7	2	2.5	7.5	12.52	82	1330
YE5-315L2-8	110	745	218.3	207.4	199.9	158.0	95.7%	0.8	1410.1	2	2.5	7.5	15.12	82	1401
YE5-355M1-8	132	745	258.2	245.3	236.4	186.9	95.9%	0.81	1692	1.8	2.4	6.5	12.9	89	1850
YE5-355M2-8	160	745	315.6	300	286.0	226.0	96.1%	0.81	2051	1.8	2.4	6.5	13.9	89	1990
YE5-355L-8	185	745	363.8	345.6	330.3	261.1	96.2%	0.81	2371	1.8	2.4	6.5	14.2	89	2150
YE5-3551-8	200	745	393.2	373.6	356.7	282.0	96.3%	0.81	2564	1.8	2.4	6.5	14.9	89	2450
YE5-3552-8	220	745	432.6	411	392.4	310.2	96.3%	0.81	2820	1.8	2.4	6.5	15.3	89	2530
YE5-3553-8	250	745	491.6	467	445.9	352.5	96.3%	0.81	3205	1.8	2.4	6.5	16.0	89	2650

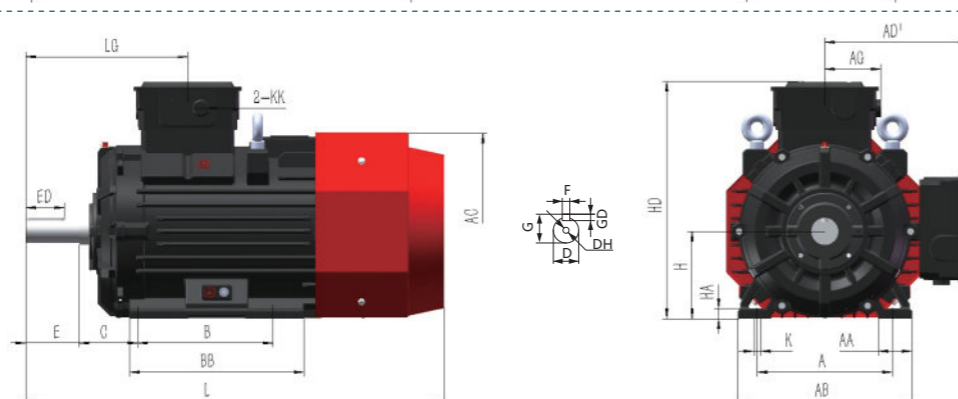


## ▼ B3外形及安装尺寸 Dimensions Foot Mount B3

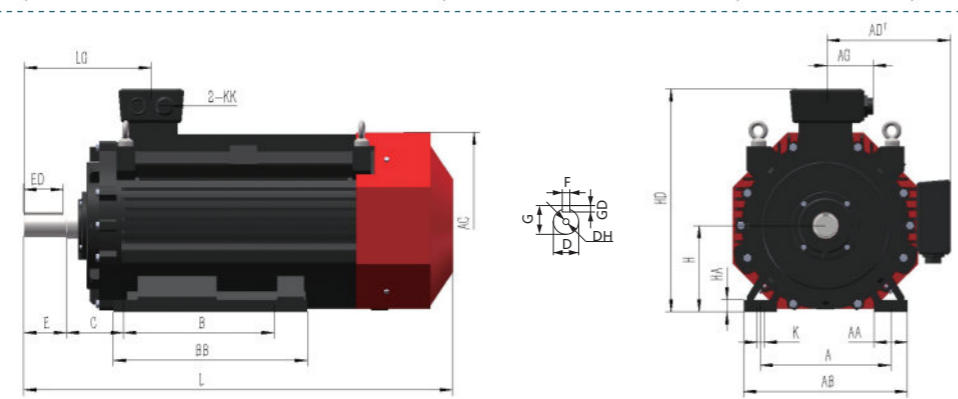
YE5-80~132



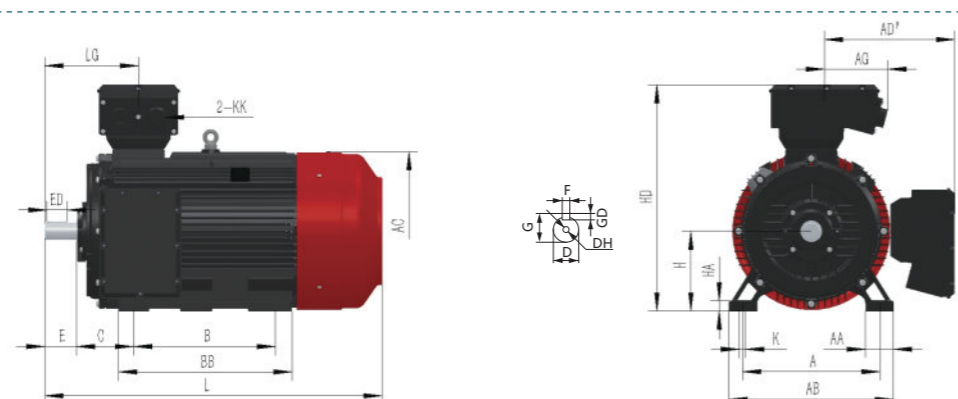
YE5-160~200



YE5-225~280



YE5-315~355



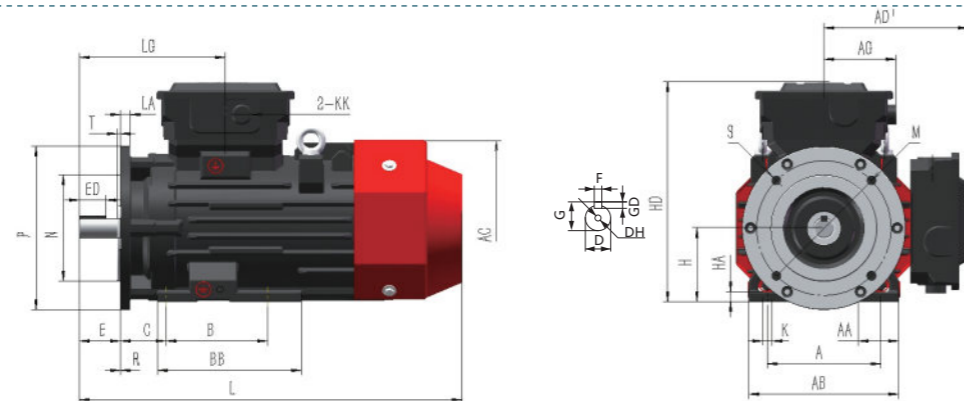
## ▼ B3外形及安装尺寸 Dimensions Foot Mount B3

机座号	极数	A	AA	AB	AC*	AD'	AG	B	BB	C	D	DH*	E	ED	F	G	GD	H	HA	HD	K	KK	L*	LG
80M	2-8	125	45	160	196	/	115	100	160	50	19	M6X16	40	22	6	15.5	6	80	11	255	10	M25X1.5	420	123
90S	2-8	140	50	184	227	/	115	100	176	56	24	M8X19	50	32	8	20	7	90	12	275	10	M25X1.5	475	129
90L	2-8	140	50	184	227	/	115	125	176	56	24	M8X19	50	32	8	20	7	90	12	275	10	M25X1.5	475	129
100L	2-8	160	60	210	243	/	127	140	220	63	28	M10X22	60	40	8	24	7	100	13	305	12	M32X1.5	580	153
112M	2-8	190	65	230	269	/	127	140	240	70	28	M10X22	60	40	8	24	7	112	15	335	12	M32X1.5	595	160
132S	2-8	216	70	270	315	/	130	140	265	89	38	M12X28	80	56	10	33	8	132	19	395	12	M32X1.5	690	184
132M	2-8	216	70	270	315	/	130	178	265	89	38	M12X28	80	56	10	33	8	132	19	395	12	M32X1.5	690	184
160M1	2	254	67	320	340	255	95	210	305	108	42	M16X36	110	80	12	37	8	160	19	430	14.5	M36X2	656.5	270
160M2	2	254	67	320	340	255	95	210	375	108	42	M16X36	110	80	12	37	8	160	19	430	14.5	M36X2	728.5	270
160M	6	254	67	320	340	255	95	210	375	108	42	M16X36	110	80	12	37	8	160	19	430	14.5	M36X2	728.5	270
160M	4, 8	254	70	320	355	290	110	210	360	108	42	M16X36	110	80	12	37	8	160	21	450	14.5	M36X2	862	313
160L	2-8	254	70	320	355	290	110	254	360	108	42	M16X36	110	80	12	37	8	160	21	450	14.5	M36X2	862	313
180M	2	279	70	345	385	300	120	241	420	121	48	M16x36	110	80	14	42.5	9	180	22	480	14.5	M36X2	818	288
180M	4	279	70	360	415	325	120	241	360	121	48	M16x36	110	80	14	42.5	9	180	22	505	14.5	M36x2	866	334
180L	4-8	279	70	360	415	325	120	279	360	121	48	M16x36	110	80	14	42.5	9	180	22	505	14.5	M36x2	866	334
200L	2-8	318	75	390	445	340	120	305	385	133	55	M20x42	110	80	16	49	10	200	23	540	18.5	M40x1.5	967	338
225S	4-8	356	75	435	490	370	160	286	475	149	60	M20x42	140	100	18	53	11	225	30	595	18.5	M64x2	1018	370
225M	2	356	75	435	490	370	160	311	475	149	55	M20x42	110	80	16	49	10	225	28	595	18.5	M64x2	928	320
225M	4-8	356	75	435	490	370	160	311	475	149	60	M20x42	140	100	18	53	11	225	30	595	18.5	M64x2	1078	370
250M	2	406	90	490	530	410	160	349	500	168	60	M20x42	140	100	18	53	11	250	31	660	24	M64x2	1105	390
250M	4-8	406	90	490	530	410	160	349	500	168	65	M20x42	140	100	18	58	11	250	31	660	24	M64x2	1105	390
280S	2	457	110	540	610	460	160	368	640	190	65	M20x42	140	100	18	58	11	280	36	740	24	M64x2	1275	405
280S	4-8	457	110	540	610	460	160	368	640	190	75	M20x42	140	100	20	67.5	12	280	36	740	24	M64x2	1290	405
280M	2	457	110	540	610	460	160	419	640	190	65	M20x42	140	100	18	58	11	280	36	740	24	M64x2	1275	405
280M	4-8	457	110	540	610	460	160	419	640	190	75	M20x42	140	100	20	67.5	12	280	36	740	24	M64x2	1390	405
315S	2	508	120	640	690	535	195	406	760	216	65	M20x42	140	100	18	58	11	315	35	850	28	M64x2	1435	450
315M	2	508	120	640	690	535	195	457	760	216	65	M20x42	140	100	18	58	11	315	35	850	28	M64x2	1535	450
315L	2	508	120	640	690	535	195	508	760	216	65	M20x42	140	100	18	58	11	315	35	850	28	M64x2	1535	450
315S	4-8	508	120	640	690	535	195	406	760	216	80	M20x42	170	130	22	71	14	315	35	850	28	M64x2	1520	480
315M	4-8	508	120	640	690	535	195	457	760	216	80	M20x42	170	130	22	71	14	315	35	850	28	M64x2	1520	480
315L	4-8	508	120	640	690	535	195	508	760	216	80	M20x42	170	130	22	71	14	315	35	850	28	M64x2	1620	480
355M	2	610	125	735	735	645	260	560	775	254	75	M24X50	140	110	20	67.5	12	355	49	1000	28	M72x2	1500	415
355L	2	610	125	735	735	645	260	630	775	254	75	M24X50	140	110	20	67.5	12	355	49	1000	28	M72x2	1500	415
355M	4-8	610	125	735	735	645	260	560	775	254	95	M24X50	170	140	25	86	14	355	49	1000	28	M72x2	1530	445
355L	4-8	610	125	735	735	645	260	630	775	254	95	M24X50	170	140	25	86	14	355	49	1000	28	M72x2	1530	445
355L加长	2	610	125	735	735	645	260	630	875	254	75	M24X50	140	110	20	67.5	12	355	49	1000	28	M72x2	1600	415
355L加长	4-8	610	125	735	735	645	260	630	875	254	95	M24X50	170	140	25	86	14	355	49	1000	28	M72x2	1630	445

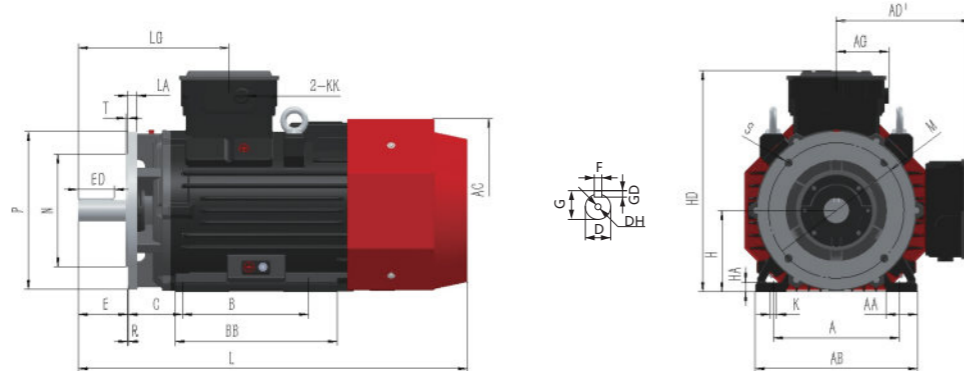
注:1.图中DH默认为不带螺纹的中心孔,可根据需要加工成螺纹孔。  
The "DH" defaults to a non-threaded center hole and it can be machined into a threaded hole as required.  
2.80-132机座号的L尺寸公差±5,160-355机座号的L尺寸公差±8。  
The dimension of "L" with tolerance ±5 for frame 80-132,tolerance ±8 for frame 160-355.  
3.AC及L尺寸为最大外形尺寸,具体规格以确认外形图为准。  
AC and L dimensions are the maximum external dimensions, and the details are subject to the confirmed drawings.

## ▼ B35外形及安装尺寸 Dimensions Foot-Flange Mount B35

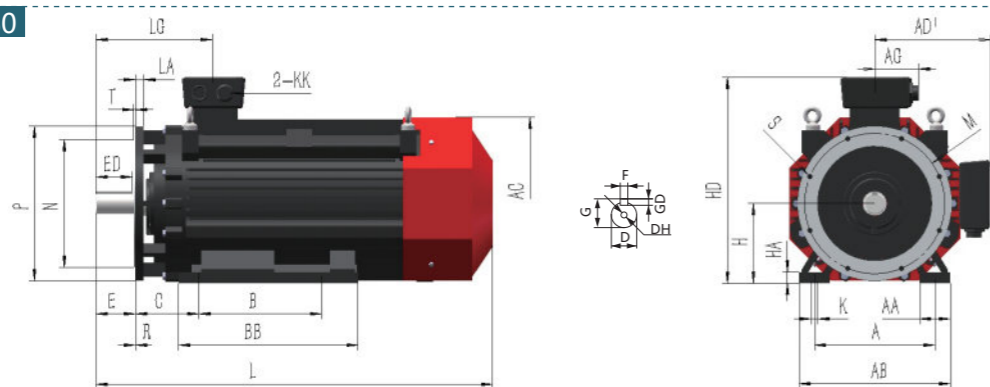
YE5-80~132



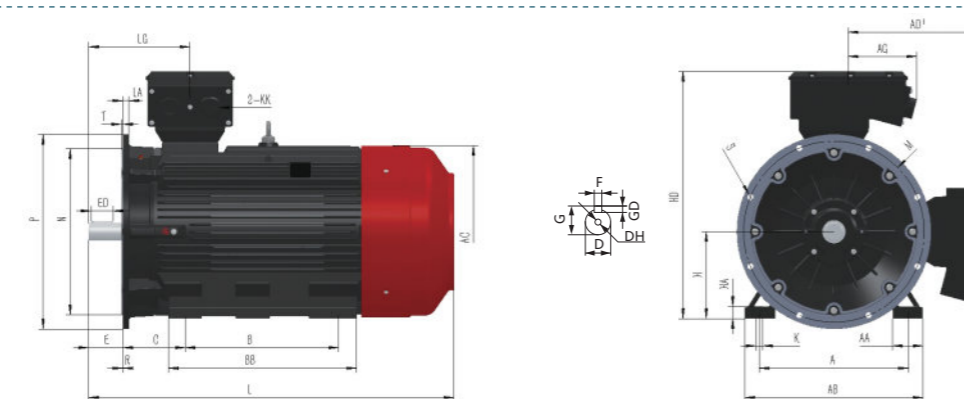
YE5-160~200



YE5-225~280



YE5-315~355



## ▼ B35外形及安装尺寸 Dimensions Foot-Flange Mount B35

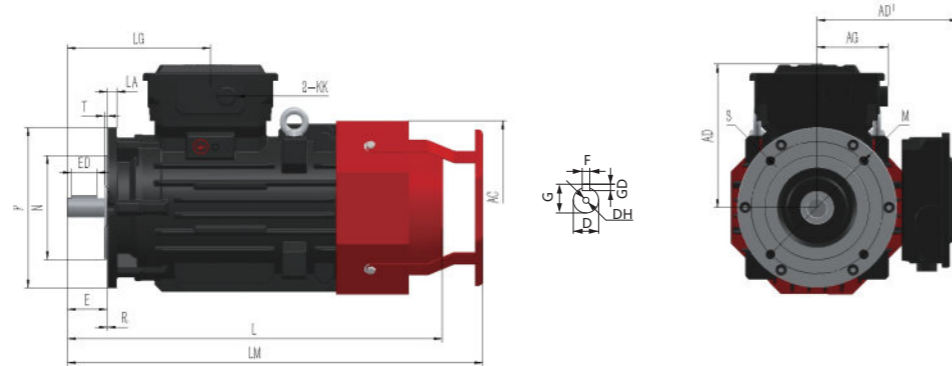
机座号	极数	A	AA	AB	AC*	AD'	AG	B	BB	C	D	DH*	E	ED	F	G	GD	H	HA	HD	K	L*	LA	LG	M	N	P	S	T	KK
80M	2-8	125	45	160	196	/	115	100	160	50	19	M6X16	40	22	6	15.5	6	80	11	255	10	420	12	123	165	130	200	12	3.5	M25X1.5
90S	2-8	140	50	184	227	/	115	100	176	56	24	M8X19	50	32	8	20	7	90	12	275	10	475	12	129	165	130	200	12	3.5	M25X1.5
90L	2-8	140	50	184	227	/	115	125	176	56	24	M8X19	50	32	8	20	7	90	12	275	10	475	12	129	165	130	200	12	3.5	M25X1.5
100L	2-8	160	60	210	243	/	127	140	220	63	28	M10X22	60	40	8	24	7	100	13	305	12	580	14	153	215	180	250	14.5	4	M32X1.5
112M	2-8	190	65	230	269	/	127	140	240	70	28	M10X22	60	40	8	24	7	112	15	335	12	595	14	160	215	180	250	14.5	4	M32X1.5
132S	2-8	216	70	270	315	/	130	140	265	89	38	M12X28	80	56	10	33	8	132	19	395	12	690	16	184	265	230	300	14.5	4	M32X1.5
132M	2-8	216	70	270	315	/	130	178	265	89	38	M12X28	80	56	10	33	8	132	19	395	12	690	16	184	265	230	300	14.5	4	M32X1.5
160M1	2	254	67	320	340	255	95	210	305	108	42	M16X36	110	80	12	37	8	160	19	430	14.5	656.5	15	270	300	250	350	18.5	5	M36X2
160M2	2	254	67	320	340	255	95	210	375	108	42	M16X36	110	80	12	37	8	160	19	430	14.5	728.5	15	270	300	250	350	18.5	5	M36X2
160M	6	254	67	320	340	255	95	210	375	108	42	M16X36	110	80	12	37	8	160	19	430	14.5	728.5	15	270	300	250	350	18.5	5	M36X2
160M	4.8	254	70	320	355	290	110	210	360	108	42	M16X36	110	80	12	37	8	160	21	450	14.5	862	19	313	300	250	350	18.5	5	M36X2
160L	2-8	254	70	320	355	290	110	254	360	108	42	M16X36	110	80	12	37	8	160	21	450	14.5	862	19	313	300	250	350	18.5	5	M36X2
180M	2	279	70	345	385	300	120	241	420	121	48	M16x36	110	80	14	42.5	9	180	22	480	14.5	818	15	288	300	250	350	18.5	5	M36X2
180M	4	279	70	360	415	325	120	241	360	121	48	M16x36	110	80	14	42.5	9	180	22	505	14.5	866	20	334	300	250	350	18.5	5	M36X2
180L	4-8	279	70	360	415	325	120	279	360	121	48	M16x36	110	80	14	42.5	9	180	22	505	14.5	866	20	334	300	250	350	18.5	5	M36X2
200L	2-8	318	75	390	445	340	120	305	385	133	55	M20x42	110	80	16	49	10	200	23	540	18.5	967	22	338	350	300	400	18.5	5	M40x1.5
225S	4-8	356	75	435	490	370	160	286	475	149	60	M20x42	140	100	18	53	11	225	30	595	18.5	1018	20	370	400	350	450	18.5	5	M64x2
225M	2	356	75	435	490	370	160	311	475	149	55	M20x42	110	80	16	49	10	225	28	595	18.5	928	19	320	400	350	450	18.5	5	M64x2
225M	4-8	356	75	435	490	370	160	311	475	149	60	M20x42	140	100	18	53	11	225	30	595	18.5	1078	20	370	400	350	450	18.5	5	M64x2
250M	2	406	90	490	530	410	160	349	500	168	60	M20x42	140	100	18	53	11	250	31	660	24	1105	20	390	500	450	550	18.5	5	M64x2
250M	4-8	406	90	490	530	410	160	349	500	168	65	M20x42	140	100	18	58	11	250	31	660	24	1105	20	390	500	450	550	18.5	5	M64x2
280S	2	457	110	540	610	460	160	368	640	190	65	M20x42	140	100	18	58	11	280	36	740	24	1275	22	405	500	450	550	18.5	5	M64x2
280S	4-8	457	110	540	610	460	160	368	640	190	75	M20x42	140	100	20	67.5	12	280	36	740	24	1290	22	405	500	450	550	18.5	5	M64x2
280M	2	457	110	540	610	460	160	419	640	190	65	M20x42	140	100	18	58	11	280	36	740	24	1275	22	405	500	450	550	18.5	5	M64x2
280M	4-8	457	110	540	610	460	160	419	640	190	75	M20x42	140	100	20	67.5	12	280	36	740	24	1390	22	405	500	450	550	18.5	5	M64x2
315S	2	508	120	640	690	535	195	406	760	216	65	M20x42	140	100	18	58	11	315	35	850	28	1435	23	450	600	550	660	24	6	M64x2
315M	2	508	120	640	690	535	195	457	760	216	65	M20x42	140	100	18	58	11	315	35	850	28	1535	23	450	600	550	660	24	6	M64x2
315L	2	508	120	640	690	535	195	508	760	216	65	M20x42	140	100	18	58	11	315	35	850	28	1535	23	450	600	550	660	24	6	M64x2
315S	4-8	508	120	640	690	535	195	406	760	216	80	M20x42	170	130	22	71	14	315	35	850	28	1520	23	480	600	550	660	24	6	M64x2
315M	4-8	508	120	640	690	535	195	457	760	216	80	M20x42	170	130	22	71	14	315	35	850	28	1520	23	480	600	550	660	24	6	M64x2
315L	4-8	508	120	640	690	535	195	508	760	216	80	M20x42	170	130	22	71	14	315	35	850	28	1620	23	480	600	550	660	24	6	M64x2
355M	2	610	125	735	735	645	260	560	775	254	75	M24X50	140	110	20	67.5	12	355	49	1000	28	1500	25	415	740	680	800	24	6	M72X2
355L	2	610	125	735	735	645	260	630	775	254	75	M24X50	140	110	20	67.5	12	355	49	1000	28	1500	25	415	740	680	800	24	6	M72X2
355M	4-8	610	125	735	735	645	260	560	775	254	95	M24X50	170	140	25	86	14	355	49	1000	28	1530	25	445	740	680	800	24	6	M72X2
355L	4-8	610	125	735	735	645	260	630	775	254	95	M24X50	170	140	25	86	14	355	49	1000	28	1530	25	445	740	680	800	24	6	M72X2
355L加长	2	610	125	735	735	645	260	630	875	254	75	M24X50	140	110	20	67.5	12	355	49	1000	28	1600	25	445	740	680	800	24	6	M72X2
355L加长	4-8	610	125	735	735	645	260	630	875	254	95	M24X50	170	140	25	86	14	355	49	1000	28	1630	25	445	740	680	800	24	6	M72X2

注:1.图中R尺寸值均为0, The 'R' dimensions is zero.  
 2.图中DH默认为不带螺纹的中心孔, 可根据需要加工成螺纹孔。  
 The 'DH' defaults to a non-threaded center hole and it can be machined into a threaded hole as required.  
 3.80-132机座号的L尺寸公差±5,160-355机座号的L尺寸公差±8。  
 The dimension of 'L' with tolerance ±5 for frame 80-132,tolerance ±8 for frame 160-355.  
 4.AC及L尺寸为最大外形尺寸, 具体规格以确认外形图为准。  
 AC and L dimensions are the maximum external dimensions, and the details are subject to the confirmed drawings.

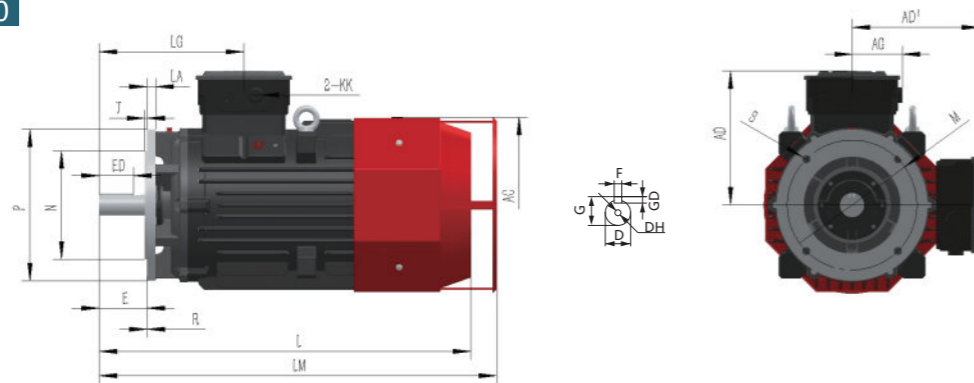


## ▼ B5&V1外形及安装尺寸 *Dimensions Flange Mount B5&V1*

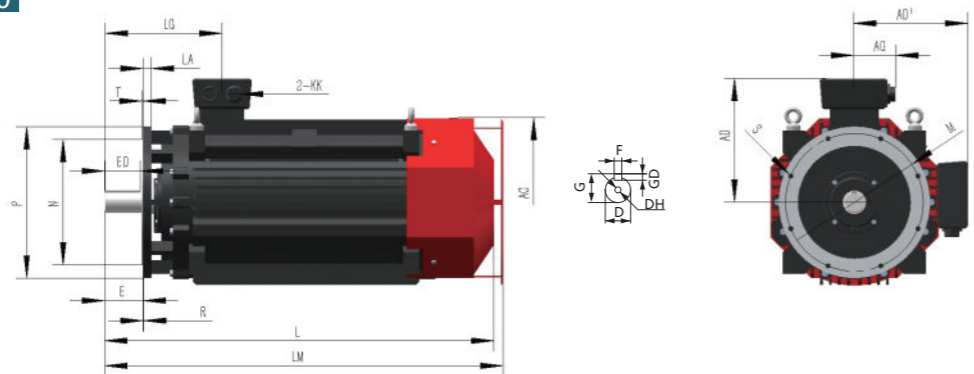
### YE5-80~132



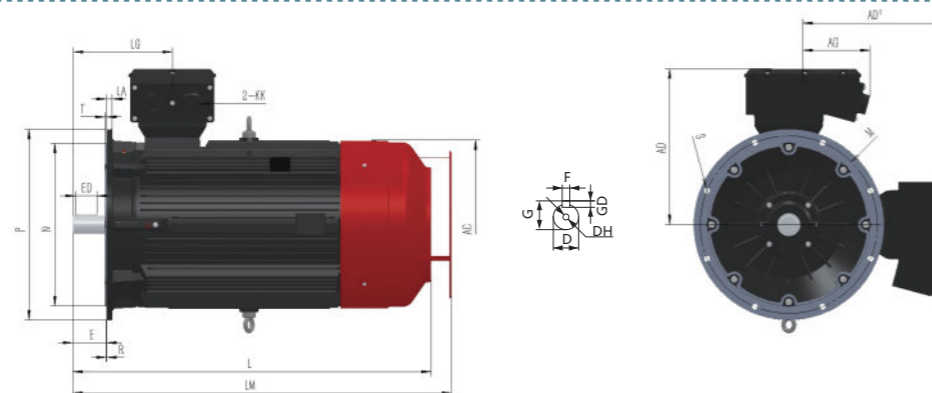
### YE5-160~200



### YE5-225~280



### YE5-315~355



## ▼ B5&V1外形及安装尺寸 *Dimensions Flange Mount B5&V1*

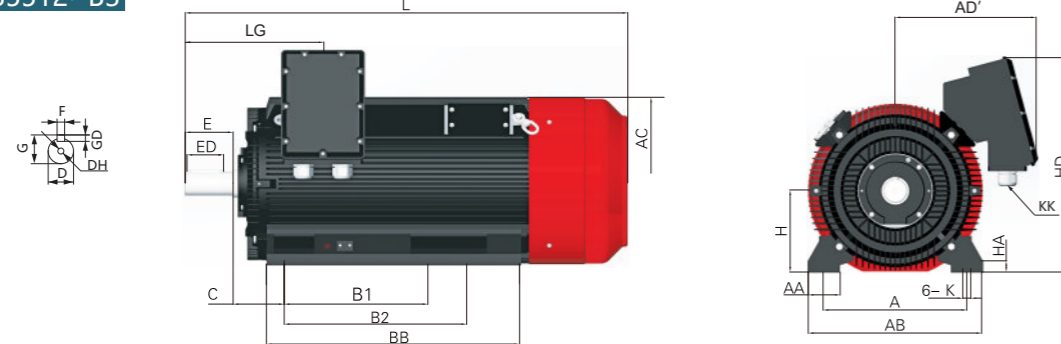
机座号	极数	AC*	D	AD	AD'	AG	DH*	E	ED	F	G	GD	LA	LG	M	N	P	S	T	KK	L*	LM*
80M	2-8	196	19	175	175	115	M6X16	40	22	6	15.5	6	12	123	165	130	200	12	3.5	M25X1.5	420	-
90S	2-8	227	24	185	185	115	M8X19	50	32	8	20	7	12	129	165	130	200	12	3.5	M25X1.5	475	-
90L	2-8	227	24	190	190	115	M8X19	50	32	8	20	7	12	129	165	130	200	12	3.5	M25X1.5	475	-
100L	2-8	243	28	195	195	127	M10X22	60	40	8	24	7	14	147	215	180	250	14.5	4	M32X1.5	580	-
112M	2-8	269	28	220	220	127	M10X22	60	40	8	24	7	14	144	215	180	250	14.5	4	M32X1.5	595	-
132S	2-8	315	38	235	235	130	M12X28	80	56	10	33	8	16	250	265	230	300	14.5	4	M32X1.5	690	-
132M	2-8	315	38	235	235	130	M12X28	80	56	10	33	8	16	250	265	230	300	14.5	4	M32X1.5	690	-
160M1	2	340	42	255	255	95	M16X36	110	80	12	37	8	15	270	300	250	350	18.5	5	M36X2	656.5	701.5
160M2	2	340	42	255	255	95	M16X36	110	80	12	37	8	15	270	300	250	350	18.5	5	M36X2	728.5	773.5
160M	6	340	42	255	255	95	M16X36	110	80	12	37	8	15	270	300	250	350	18.5	5	M36X2	728.5	773.5
160M	4, 8	355	42	290	290	110	M16X36	110	80	12	37	8	19	313	300	250	350	18.5	5	M36X2	862	907
160L	2-8	355	42	290	290	110	M16X36	110	80	12	37	8	19	313	300	250	350	18.5	5	M36X2	862	907
180M	2	385	48	300	300	120	M16x36	110	80	14	42.5	9	15	288	300	250	350	18.5	5	M36X2	818	863
180M	4	415	48	325	325	120	M16x36	110	80	14	42.5	9	20	334	300	250	350	18.5	5	M36X2	866	911
180L	4-8	415	48	325	325	120	M16x36	110	80	14	42.5	9	20	334	300	250	350	18.5	5	M36X2	866	911
200L	2-8	445	55	340	340	120	M20x42	110	80	16	49	10	22	338	350	300	400	18.5	5	M40x1.5	967	1042
225S	4-8	490	60	370	370	160	M20x42	140	100	18	53	11	20	370	400	350	450	18.5	5	M64x2	1018	1093
225M	2	490	55	370	370	160	M20x42	110	80	16	49	10	19	320	400	350	450	18.5	5	M64x2	928	1003
225M	4-8	490	60	370	370	160	M20x42	140	100	18	53	11	20	370	400	350	450	18.5	5	M64x2	1078	1153
250M	2	530	60	410	410	160	M20x42	140	100	18	53	11	22	390	500	450	550	18.5	5	M64x2	1105	1205
250M	4-8	530	65	410	410	160	M20x42	140	100	18	58	11	22	390	500	450	550	18.5	5	M64x2	1105	1205
280S	2	610	65	460	460	160	M20x42	140	100	18	58	11	22	405	500	450	550	18.5	5	M64x2	1275	1375
280S	4-8	610	75	460	460	160	M20x42	140	100	20	67.5	12	22	405	500	450	550	18.5	5	M64x2	1290	1390
280M	2	610	65	460	460	160	M20x42	140	100	18	58	11	22	405	500	450	550	18.5	5	M64x2	1275	1375
280M	4-8	610	75	460	460	160	M20x42	140	100	20	67.5	12	22	405	500	450	550	18.5	5	M64x2	1390	1490
315S	2	690	65	535	535	195	M20x42	140	100	18	58	11	24	450	600	550	660	24	6	M64x2	1435	1535
315M	2	690	65	535	535	195	M20x42	140	100	18	58	11	24	450	600	550	660	24	6	M64x2	1535	1635
315L	2	690	65	535	535	195	M20x42	140	100	18	58	11	24	450	600	550	660	24	6	M64x2	1535	1635
315S	4-8	690	80	535	535	195	M20x42	170	130	22	71	14	24	480	600	550	660	24	6	M64x2	1520	1620
315M	4-8	690	80	535	535	195	M20x42	170	130	22	71	14	24	480	600	550	660	24	6	M64x2	1520	1620
315L	4-8	690	80	535	535	195	M20x42	170	130	22	71	14	24	480	600	550	660	24	6	M64x2	1620	1720
355M(V1)	2	735	75	645	645	260	M24X50	140	110	20	67.5	12	25	415	740	680	800	24	6	M72X2	1500	1600
355L(V1)	2	735	75	645	645	260	M24X50	140	110	20	67.5	12	25	415	740	680	800	24	6	M72X2	1500	1600
355M(V1)	4-8	735	95	645	645	260	M24X50	170	140	25	86	14	25	445	740	680	800	24	6	M72X2	1530	1630
355L(V1)	4-8	735	95	645	645	260	M24X50	170	140	25	86	14	25	445	740	680	800	24	6	M72X2	1530	1630
355L加长	2	735	75	645	645	260	M24X50	140	110	20	67.5	12	25	415	740	680	800	24	6	M72X2	1600	1700
355L加长	4-8	735	95	645	645	260	M24X50	170	140	25	86	14	25	445	740	680	800	24	6	M72X2	1630	1730

注:1.图中R尺寸值均为0, The 'R' dimensions is zero.  
 2.图中DH默认为不带螺纹的中心孔, 可根据需要加工成螺纹孔。  
 The 'DH' defaults to a non-threaded center hole and it can be machined into a threaded hole as required.  
 3.80-132机座号的L和LM尺寸公差±5,160-355机座号的L和LM尺寸公差±8。  
 The dimension of 'L' and 'LM' with tolerance ±5 for frame 80-132,tolerance ±8 for frame 160-355.  
 4.AC及L尺寸为最大外形尺寸, 具体规格以确认外形图为准。  
 AC and L dimensions are the maximum external dimensions, and the details are subject to the confirmed drawings.

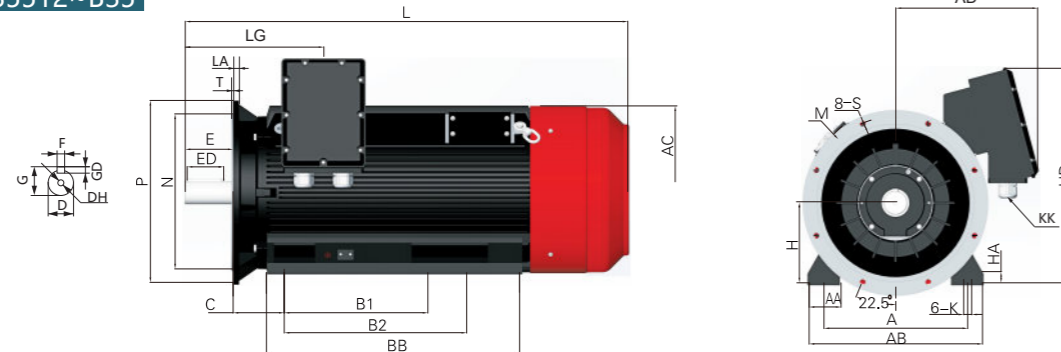


## 35512外形及安装尺寸 Mounting Dimensions 35512

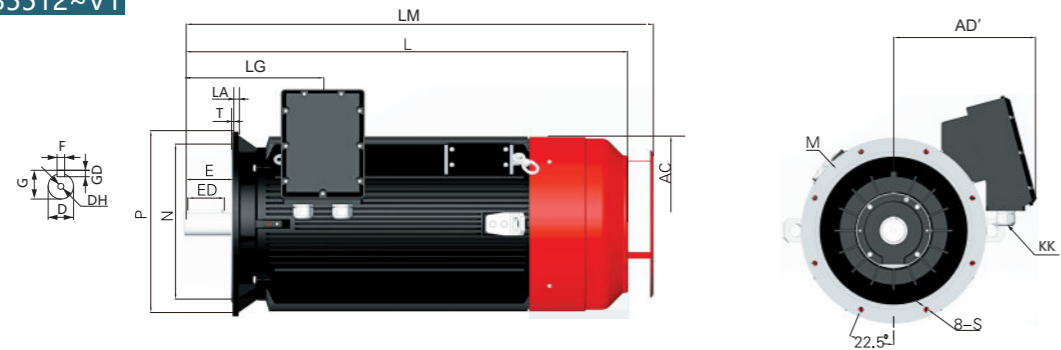
### YE5-35512~B3



### YE5-35512~B35



### YE5-35512~V1



机座号 Frame	极数	A	AA	AB	AC*	AD'	B1	B2	BB	C	D	DH*	E	ED	F	G	GD	H	HA	HD	K	LA	L*	LM*	LG	M	N	P	S	T	KK
35512	2	630	140	760	760	630	630	800	1110	224	80	M20X42	170	140	22	71	14	355	49	950	35	28	1850	1950	545	840	780	900	24	6	M72*2
35512	4-8	630	140	760	760	630	630	800	1110	224	110	M24X50	210	160	28	100	16	355	49	950	35	28	1940	2040	585	840	780	900	24	6	M72*2

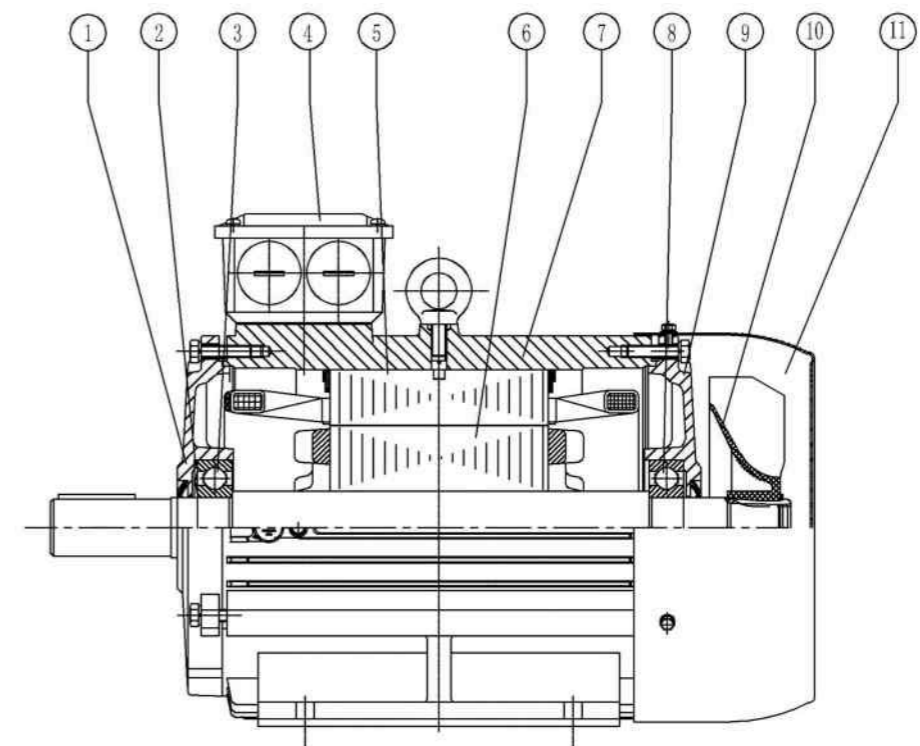
注:1.图中DH默认为不带螺纹的中心孔,可根据需要加工成螺纹孔。  
The 'DH' defaults to a non-threaded center hole and it can be machined into a threaded hole as required.  
2.图中L和LM尺寸公差±8。  
The dimension of 'L' and 'LM' with tolerance ±8.  
3.AC及L尺寸为最大外形尺寸,具体规格以确认外形图为准。  
AC and L dimensions are the maximum external dimensions, and the details are subject to the confirmed drawings.

## 装配图及零部件明细表 Arrangement And Parts List

### YE5 80~132FRAME

零部件名称		Parts Description
1	驱动端端盖	Endshield D.E.
2	波形弹簧	Wave washer
3	驱动端轴承	Bearing D.E.
4	接线盒	Terminal box
5	定子铁芯	Stator lamination pack
6	转子铁芯	Rotor lamination pack
7	机座	Frame
8	非驱动端轴承	Bearing N.D.E.
9	非驱动端端盖	Endshield N.D.E.
10	风扇	Fan
11	风罩	Fan cowl

基本结构说明		Specifications standard construction
铸铁机座和接线盒	Cast iron frame,terminal box.	
钢板冲压风罩	Pressed steel fan cowl.	
铸铁端盖	Cast iron endshields.	
聚丙烯玻璃纤维风扇	Polypropylene,glass reinforced fan.	
电机专用轴承	Equivalent bearings.	
特性		Features
电机尺寸和额定功率符合IEC60072	Dimensions and ratings to IEC60072	
GB/T4772.1-4772.3	GB/T4772.1-4772.3	
IP55	IP55	
接线盒在上面	Top mounted terminal box.	
接线盒可90°旋转	Terminalbox rotates in 90 deg	
冷却方式IC411	Cooling IC411	
安装		Mounting
B3-卧式底脚安装	B3-foot mounted	
B5-卧式凸缘安装	B5-flange mounted-horizontal.	
B35-底脚凸缘安装	B35-foot And flange mounted	
V1-立式凸缘安装	V1-flang mounted-vertical	

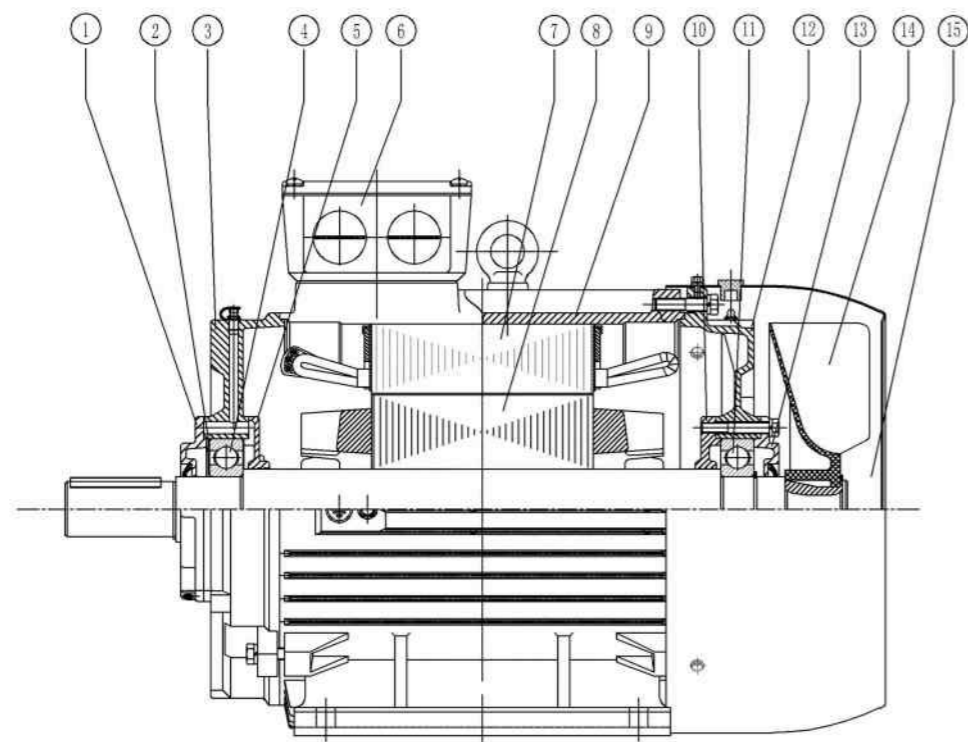


▶ 装配图及零部件明细表 Arrangement And Parts List

**YE5 160~280FRAME**

零部件名称		Parts Description
1	驱动端轴承外盖	Outer bearing cap D.E.
2	波形弹簧	Wave washer
3	驱动端端盖	Endshield D.E.
4	驱动端轴承	Bearing D.E.
5	驱动端轴承内盖	Inner bearing cap D.E.
6	接线盒	Terminal box
7	定子铁芯	Stator lamination pack
8	转子铁芯	Rotor lamination pack
9	机座	Frame
10	非驱动端轴承内盖	Inner bearing cap N.D.E.
11	非驱动端轴承	Bearing N.D.E.
12	非驱动端端盖	Endshield N.D.E.
13	非驱动端轴承外盖	Outer bearing cap N.D.E.
14	风扇	Fan
15	风罩	Fan cowl

基本结构说明		Specifications standard construction
铸铁机座和接线盒	Cast iron frame,terminal box.	
钢板冲压风罩	Pressed steel fan cowl.	
铸铁端盖	Cast iron endshields.	
聚丙烯玻璃纤维风扇	Polypropylene,glass reinforced fan.	
电机专用轴承	Equivalent bearings.	
特性		Features
电机尺寸和额定功率符合IEC60072	Dimensions and ratings to IEC60072	
GB/T4772.1-4772.3	GB/T4772.1-4772.3	
IP55	IP55	
接线盒在上面	Top mounted terminal box.	
接线盒可90°旋转	Terminalbox rotates in 90 deg	
冷却方式IC411	Cooling IC411	
安装		Mounting
B3-卧式底脚安装	B3-foot mounted	
B5-卧式凸缘安装	B5-flange mounted-horizontal.	
B35-底脚凸缘安装	B35-foot And flange mounted	
V1-立式凸缘安装	V1-flang mounted-vertical	

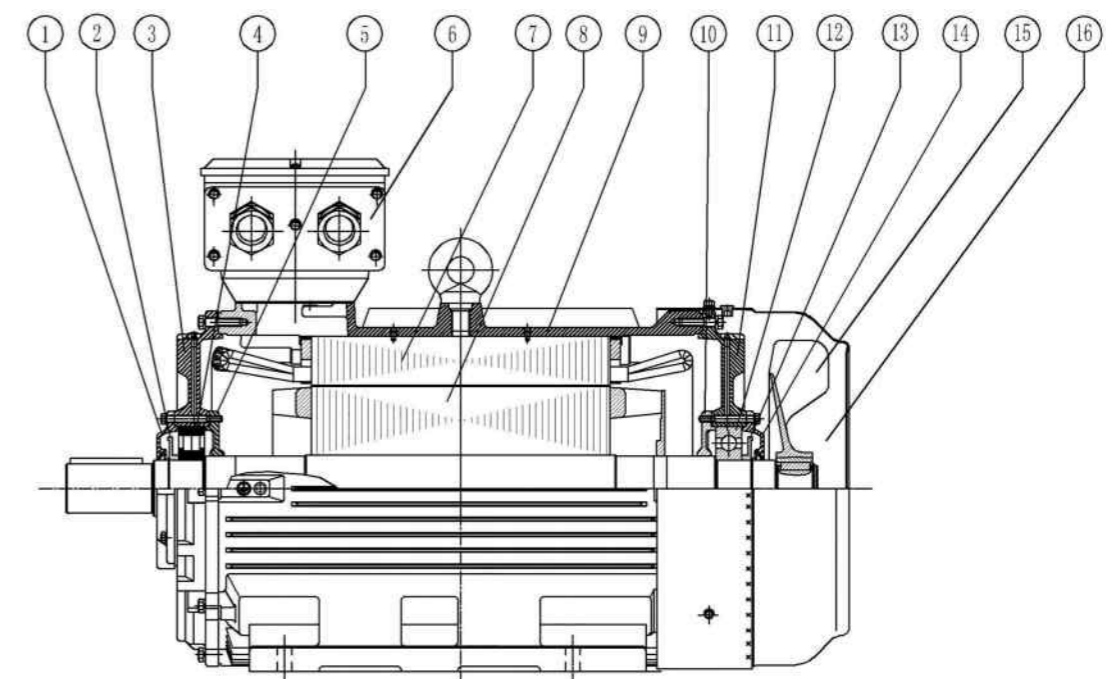


▶ 装配图及零部件明细表 Arrangement And Parts List

**YE5 315~355FRAME**

零部件名称		Parts Description
1	驱动端轴承外盖	Outer bearing cap D.E.
2	驱动端油盘	Flinger D.E.
3	驱动端端盖	Endshield D.E.
4	驱动端轴承	Bearing D.E.
5	驱动端轴承内盖	Inner bearing cap D.E.
6	接线盒	Terminal box
7	定子铁芯	Stator lamination pack.
8	转子铁芯	Rotor lamination pack.
9	机座	Frame
10	非驱动端轴承内盖	Inner bearing cap N.D.E.
11	非驱动端轴承	Bearing N.D.E.
12	非驱动端端盖	Endshield N.D.E.
13	非驱动端油盘	Flinger N.D.E.
14	非驱动端轴承外盖	Outer bearing cap N.D.E.
15	风扇	Fan
16	风罩	Fan cowl

基本结构说明		Specifications standard construction
铸铁机座和接线盒	Cast iron frame,terminal box.	
钢板冲压风罩	Pressed steel fan cowl.	
铸铁端盖	Cast iron endshields.	
聚丙烯玻璃纤维风扇	Polypropylene,glass reinforced fan.	
电机专用轴承	Equivalent bearings.	
特性		Features
电机尺寸和额定功率符合IEC60072	Dimensions and ratings to IEC60072	
GB/T4772.1-4772.3	GB/T4772.1-4772.3	
IP55	IP55	
接线盒在上面	Top mounted terminal box.	
接线盒可90°旋转	Terminalbox rotates in 90 deg	
冷却方式IC411	Cooling IC411	
安装		Mounting
B3-卧式底脚安装	B3-foot mounted	
B35-底脚凸缘安装	B35-foot And flange mounted	
V1-立式凸缘安装	V1-flang mounted-vertical	

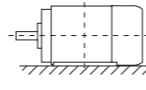
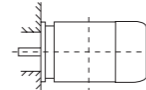
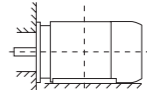
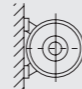
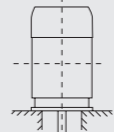
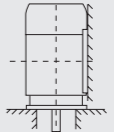
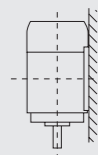
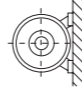
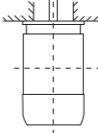
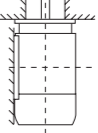
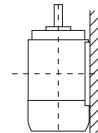
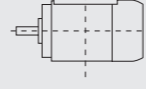




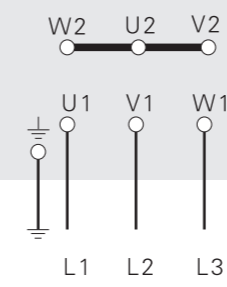
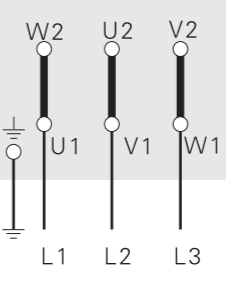
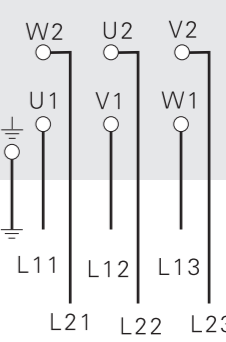
## 防护等级 Degrees of Protection(IEC 60034-5)

符号 Designation	第一位数字 First numeral	第二位数字 Second numeral
	防止固体异物进入内部及防止人体触及内部的带电或运动部分。 Protection against contact and ingress of foreign bodies, protection against hazardous "live" parts and moving mechanical parts.	防护水 Protection against water
	5.虽不能完全防止灰尘进入,但进尘量不足以影响电机正常运行。能防止触及或接近壳内带电或转动部分。 Ingress of dust is not totally prevented, but dust shall not interfere with the satisfactory operation of equipment. A probe of 1mm diameter shall not penetrate the enclosure.	5.任何方向的喷水对电机应无有害的影响。 Water projected in jets against the enclosure from any direction will have no harmful effects.
	6.完全防止灰尘进入机壳。 No ingress of dust.	6.强力喷水时电机应无有害影响。 Water projected in power jets shall have no harmful effects.
IP55	防尘 Dust protected	防喷水 Jetting water
IP56	防尘 Dust protected	防强力喷水 Powerful Jetting
IP65	尘密 Dust tight	防喷水 Jetting water
IP66	尘密 Dust tight	防强力喷水 Powerful Jetting

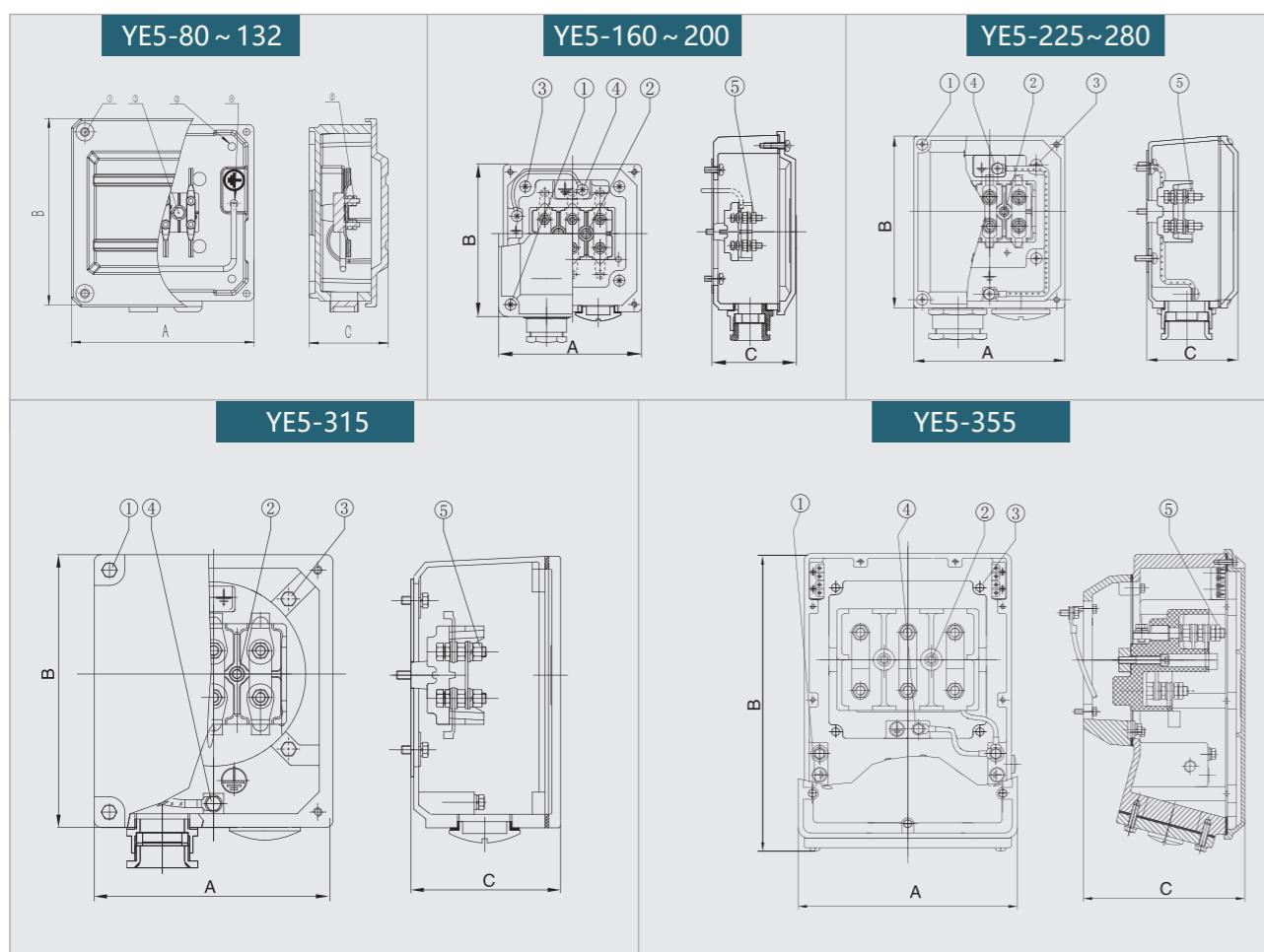
## 安装型式 Mounting Arrangements

卧式底脚安装 Foot mig horiz	凸缘安装 Flange mig	底脚凸缘安装 Foot/Flange mig	立式底脚安装 Foot mig vert
B3 IM1001 H80 ~ 355 	B5 IM3001 H80 ~ 280 	B35 IM2001 H80 ~ 355 	
B6 IM1051 H80 ~ 160 	V1 IM3011 H80 ~ 355 	V15 IM2011 H80 ~ 160 	V5 IM1011 H80 ~ 160 
B7 IM1061 H80 ~ 160 	V3 IM3031 H80 ~ 160 	V36 IM2031 H80 ~ 160 	V6 IM1031 H80 ~ 160 
B8 IM1071 H80 ~ 160 			

## 接线指示图 鼠笼式三相电动机 Connection Diagrams Three phase motors with cage rotor

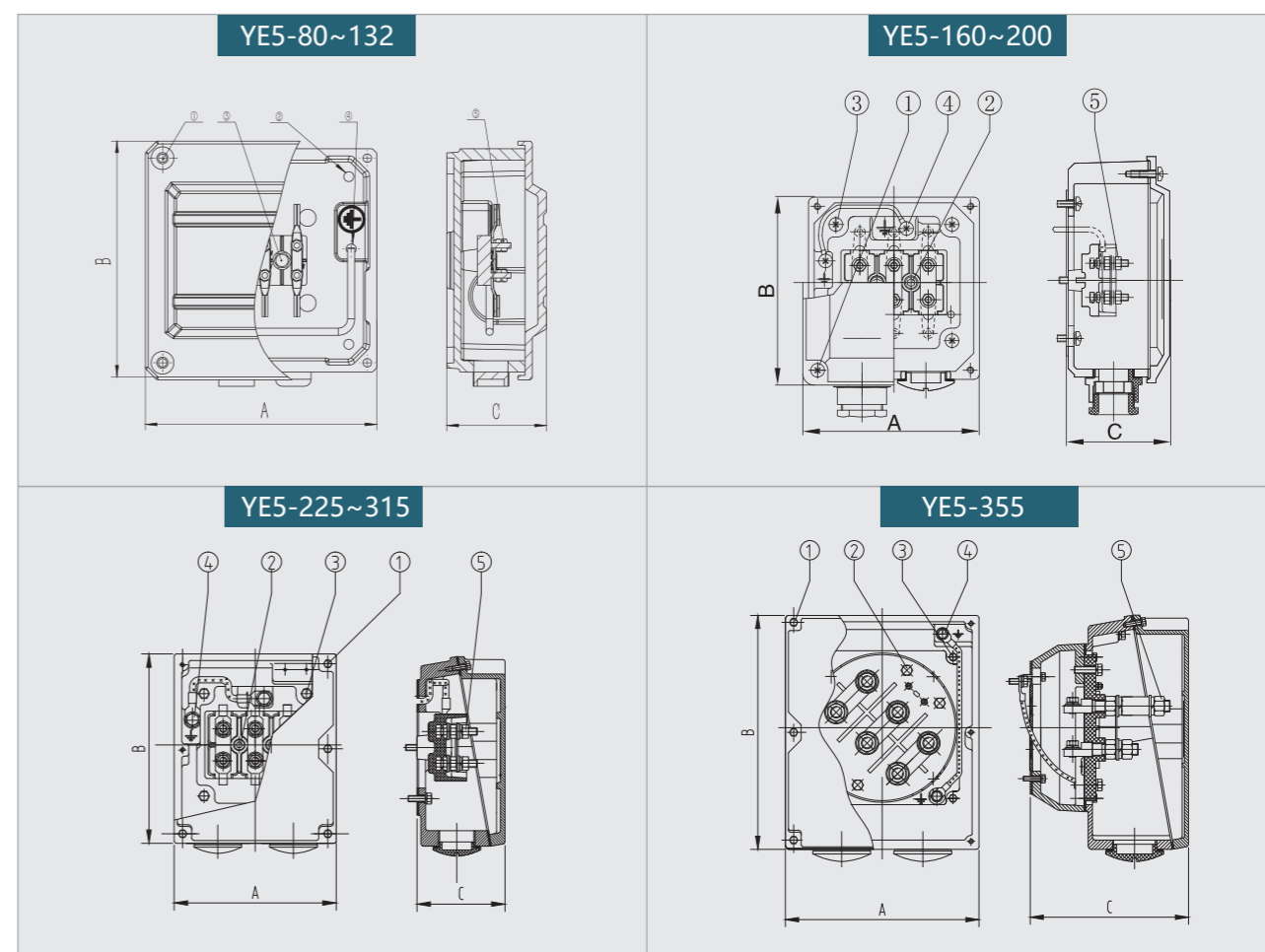
Y接 Star Connection	△接 Delta Connection	Y-△启动连接 Star-Delta Connection
		

## 上出线接线盒 Top Terminal Box



机座号 Frame	A	B	C	1	2	3	4	5	螺纹尺寸 Gland Size	出线孔直径 Outlet(dia.)
YE5-80~90	168	168	80	M6X20	M6X20	M5X25	M5X10	M4	M25X1.5	Φ12
YE5-100~112	194	194	90	M6X20	M6X20	M5X25	M5X10	M4	2XM32X1.5	Φ12
YE5-132	206	206	100	M8X25	M8X25	M5X25	M5X10	M5	2XM32X1.5	Φ20
YE5-160-2.6	163	173	92	M6X16	M6X25	M6X16	M6X12	M6	2XM36X2	2XΦ25
YE5-160M-4.8 YE5-160L	208	208	100	M8x25	M6X25	M8x25	M5X16	M6	2XM36X2	2XΦ25
YE5-180-2	188	208	107	M8x25	M8x35	M8x25	M8x16	M8	2XM48X2	2XΦ36
YE5-180-4.6.8	224	224	111	M8x25	M6X25	M8x25	M8x16	M6	2XM36X2	2XΦ25
YE5-200	224	224	111	M8x25	M8x35	M8x25	M8x16	M8	2XM40X1.5	2XΦ32
YE5-250~280	217	248	115	M6X20	M8X35	M8X30	M8x16	M10	2XM64x2	2XΦ51
YE5-315	280	332	164	M8x25	M10x45	M10x30	M10x20	M12	2XM64x2	2XΦ51
YE5-355	350	410	275	M8x30	M12x40	M12x30	M10x25	M20	2XM72x2	2XΦ52

## 侧出线接线盒 Side Terminal Box

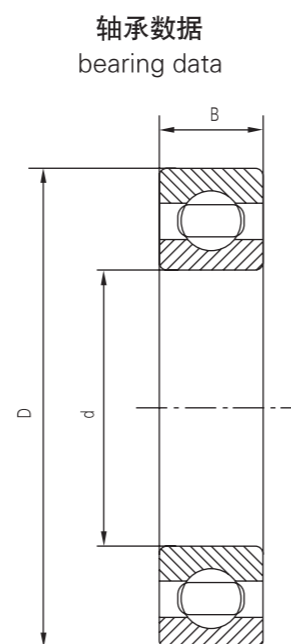


机座号 Frame	A	B	C	1	2	3	4	5	螺纹尺寸 Gland Size	出线孔直径 Outlet(dia.)
YE5-80~90	168	168	80	M6X20	M6X20	M5X25	M5X10	M4	M25X1.5	Φ12
YE5-100~112	194	194	90	M6X20	M6X20	M5X25	M5X10	M4	2XM32X1.5	Φ12
YE5-132	206	206	100	M8X25	M8X25	M5X25	M5X10	M5	2XM32X1.5	Φ20
YE5-160-2.6	163	173	92	M6X16	M6X25	M6X16	M6X12	M6	2XM36X2	2XΦ25
YE5-160M-4.8 YE5-160L	208	208	100	M8x25	M6X25	M8x25	M5X16	M6	2XM36X2	2XΦ25
YE5-180-2	188	208	107	M8x25	M8x35	M8x25	M8x16	M8	2XM48X2	2XΦ36
YE5-180-4.6.8	224	224	111	M8x25	M6X25	M8x25	M8x16	M6	2XM36X2	2XΦ25
YE5-200	224	224	111	M8x25	M8x35	M8x25	M8x16	M8	2XM40X1.5	2XΦ32
YE5-250~280	212	248	115	M6X20	M8X35	M8X30	M8x16	M10	2XM64x2	2XΦ51
YE5-315	276	332	164	M8x25	M10x45	M10x30	M10x20	M12	2XM64x2	2XΦ51
YE5-355	340	410	275	M8x30	M12x40	M12x30	M10x25	M20	2XM72x2	2XΦ52

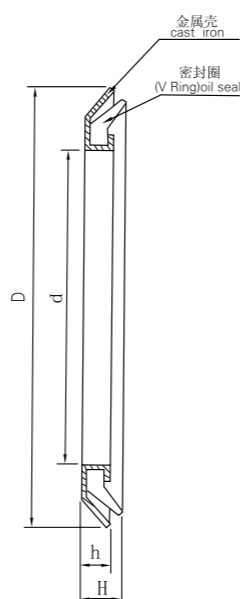


## 轴承、密封和润滑 Bearing、Seal & Lubrication

电机型号 Motor type	轴伸端 DE	非轴伸端 NDE	d	D	B
YE5-80	6204ZZ	6204ZZ	20	47	14
YE5-90	6205ZZ	6205ZZ	25	52	15
YE5-100	6206ZZ	6206ZZ	30	62	16
YE5-112	6306ZZ	6306ZZ	30	72	19
YE5-132	6308ZZ	6308ZZ	40	90	23
YE5-160	6309	6309	45	100	25
YE5-180	6311	6311	55	120	29
YE5-200	6312	6312	60	130	31
YE5-225	6313	6313	65	140	33
YE5-250	6314	6314	70	150	35
YE5-280 2P	6314	6314	70	150	35
YE5-280 4-8P	6317	6317	85	180	41
YE5-315 2P	6316	6316	80	170	39
YE5-315 4-8P	6319	6319	95	200	45
YE5-355(2P) (B3,B35)	6319	6319	95	200	45
YE5-355(2P)V1	6319	7319	95	200	45
YE5-355(4-8P) (B3,B35)	6322	6322	110	240	50
YE5-355(4-8P)V1	6322	7322	110	240	50
YE5-35512(2P) (B3,B35)	6319/C3	6319/C3	95	200	45
YE5-35512(4-8P) (B3,B35)	NU324	6324	120	260	55
YE5-35512(2P) V1	6319C3	7319	95	200	45
YE5-35512(4-8P) V1	NU324	7324	110	260	55

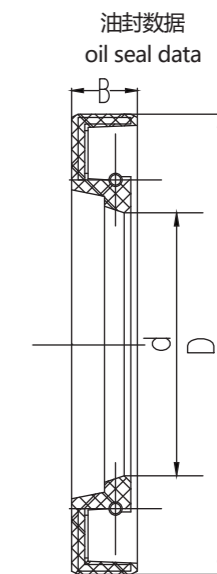


电机型号 Motor type	油封规格 Oil seal size	d	D	h	H
YE5-80	RB20x35x4.0	Φ20	Φ35	3	6
YE5-90	RB25x40x4.0	Φ25	Φ40	3	6
YE5-100	RB30x47x4.5	Φ30	Φ47	3.5	6.5
YE5-112	RB30x47x4.5	Φ30	Φ47	3.5	6.5
YE5-132	RB40x57x4.5	Φ40	Φ57	3.5	6.5
YE5-160	RB45x62x4.5	Φ45	Φ62	3.5	6.5
YE5-180	RB55x75x5.5	Φ55	Φ75	4.5	6.5
YE5-200	RB60x80x5.5	Φ60	Φ80	4.5	6.5
YE5-225	RB65x85x5.5	Φ65	Φ85	4.5	8
YE5-250	RB70x90x5.5	Φ70	Φ90	4.5	8
YE5-280-2	RB70x90x5.5	Φ70	Φ90	4.5	8
YE5-280-4.6.8	RB85x105x5.5	Φ85	Φ105	4.5	8
YE5-315-2	RB80x100x5.5	Φ80	Φ100	4.5	8
YE5-315-4.6.8	RB95x115x5.5	Φ95	Φ115	4.5	8



## 轴承、密封和润滑 Bearing、Seal & Lubrication

电机型号 Motor type	驱动端 (D.E.)			非驱动端 (N.D.E.)		
	d	D	B	d	D	B
YE5-80	20	35	5	20	35	5
YE5-90	25	40	5	25	40	5
YE5-100	30	52	7	30	52	7
YE5-112	30	52	7	30	52	7
YE5-132	40	62	5	40	62	5
YE5-160	45	65	8	45	65	8
YE5-180	55	75	8	55	75	8
YE5-200	60	80	8	60	80	8
YE5-225	65	90	10	65	90	10
YE5-250	70	95	10	70	95	10
YE5-280-2	70	95	10	70	95	10
YE5-280-4.6.8	85	110	12	85	110	12
YE5-315-2	80	100	10	80	100	10
YE5-315-4.6.8	95	120	12	95	120	12
YE5-355-2	95	120	12	95	120	12
YE5-355-4.6.8	110	140	12	110	140	12
YE5-35512-2	95	120	12	95	120	12
YE5-35512-4.6.8	120	150	12	120	150	12



- 电机配备了优质供应商制造的轴承，轴承采用C3游隙。  
Motors are equipped with bearings from excellent manufacturers. In general the bearings have C3 clearances.
- 80~132机座号电动机装有封闭轴承。  
Motors of frame sizes 80-132 are fitted with closed bearings.
- 160~355机座号电动机装有开放式轴承并带有注油装置。开放式轴承必须依据润滑脂的有效寿命按时加油，以使轴承达到预期寿命。  
Motors of frame sizes 160-355 are fitted with open bearings and regreasing device. Depending on the useful life of grease, open bearings must be regreased in good time so that the scheduled bearing service life is reached.

电机型号 Motor type	轴伸端轴承 DE Bearing	非轴伸端轴承 NDE Bearing	添加润滑脂的期限 (运行小时数, 70°C以下) Regreasing period hours for operating temperatures up to 70°C			轴承室所需润滑脂用量 Quantity of grease in bearing chamber g
			n < 3600r/min	n < 1800r/min	n < 1200r/min	
			YE5-160	6309	6309	
YE5-180	6311	6311	4000	9000	14000	15
YE5-200	6313	6313	3000	5500	8500	22
YE5-225	6314	6314	2000	5000	8000	23
YE5-250	6314	6314	2000	5000	8000	23
YE5-280 (2P)	6314	6314	1200	-	-	30
YE5-280 (4-8P)	6317	6317	-	4000	6000	35
YE5-315 (2P)	6316	6316	1200	-	-	30
YE5-315 (4-8P)	6319	6319	-	2000	3000	45
YE5-355(2P) (B3,B35)	6319	6319	-	-	-	30
YE5-355(2P)V1	6319	7319	1200	-	-	30
YE5-355(4-8P) (B3,B35)	6322	6322	-	1400	2200	60
YE5-355(4-8P)V1	6322	7322	-	1400	2200	60
YE5-35512(2P) (B3,B35)	6319/C3	6319/C3	1200	-	-	30
YE5-35512(4-8P) (B3,B35)	NU324	6324	-	1200	2000	80
YE5-35512(2P) V1	6319C3	7319	1200	-	-	30
YE5-35512(4-8P) V1	NU324	7324	-	1200	2000	80

- 注：1. 立式电动机添加润滑脂的时间应该是上述卧式电动机时间的一半。  
Vertical motors should be greased twice as often as horizontal motors.  
2. 当轴承运行温度超过70°C时，重新添加润滑脂的时间应该缩短。  
Regreasing time should be reduced if bearing operating temperature is in excess of 70°C.

## 主要产品介绍 Main Product Introduction

YE3系列三相异步电动机 (H80-355)	YE3 Series 3-Phase Asynchronous Motor
YE4系列三相异步电动机 (H80-355)	YE4 Series 3-Phase Asynchronous Motor
YE5系列三相异步电动机 (H80-355)	YE5 Series 3-Phase Asynchronous Motor
YE3系列高温消防排烟风机专用电机 (H80-355)	YE3 Series Special Motor for Smoke and Heat Exhaust Ventilators
Y-H系列船用三相异步电动机 (H63-355)	Y-H Series 3-Phase Asynchronous Motor In Ships
YD系列变极多速三相异步电动机 (H80-315)	YD Series 3-Phase Multi-Speed Motor
YDT系列通风机用多速三相异步电动机 (H80-315)	YDT Series Ventilator used 3-Phase Multi-Speed Motor
YVF2系列变频调速三相异步电动机 (H80-355)	YVF2 Series Frequency Control 3-Phase Asynchronous Motor
YH系列高转差率三相异步电动机 (H80-315)	YH Series High Slip 3-Phase Asynchronous Motor
Y-W系列户外型三相异步电动机 (H80-355)	Y-W Series Outdoor used 3-Phase Asynchronous Motor
YT系列轴流式通风机用三相异步电动机 (H80-132)	YT Series Ventilator used 3-Phase Asynchronous Motor
1L(IP23)系列三相异步电动机(H160-355)	1L(IP23) Series 3-Phase Asynchronous Motor
Y(IP23)系列三相异步电动机 (H400-500)	Y(IP23) Series 3-Phase Asynchronous Motor
YZS系列起重用三相异步电动机 (H160-225)	YZS Series Crane 3-Phase Asynchronous Motor
YEJ系列电磁制动三相异步电动机 (H80-225)	YEJ Series Electromagnetic Braking 3-Phase Asynchronous Motor
YBK3系列煤矿井下用隔爆型三相异步电动机(H80-355)	YBK3 Series Flameproof 3-Phase Asynchronous Motor for Coal Mines
HM3系列三相异步电动机 (H80-355)	HM3 Series 3-Phase Asynchronous Motor
HM4系列三相异步电动机 (H80-355)	HM4 Series 3-Phase Asynchronous Motor
YB2-H、YB3-H系列船用隔爆型三相异步电动机(H80-355)	YB2-H、YB3-H Series Flameproof 3-Phase Asynchronous Motor For Ships
YBBP系列隔爆型变频调速三相异步电动机(H80-355)	YBBP Series Flameproof Frequency Control 3-Phase Asynchronous Motor
YBX3系列高效率隔爆型三相异步电动机(H80-355)	YBX3 Series High Efficiency Flameproof 3-Phase Asynchronous Motor
YBX4系列高效率隔爆型三相异步电动机(H80-355)	YBX4 Series High Efficiency Flameproof 3-Phase Asynchronous Motor
YBX5系列高效率隔爆型三相异步电动机(H80-355)	YBX5 Series High Efficiency Flameproof 3-Phase Asynchronous Motor
YFB3系列粉尘防爆型三相异步电动机(H80-355)	YFB3 Series Dust Explosion-Proof 3-Phase Asynchronous Motor
YFB4系列粉尘防爆型三相异步电动机(H80-355)	YFB4 Series Dust Explosion-Proof 3-Phase Asynchronous Motor
YFB5系列粉尘防爆型三相异步电动机(H80-355)	YFB5 Series Dust Explosion-Proof 3-Phase Asynchronous Motor
Y3系列三相异步电动机 (H355-450)	Y3 Series 3-Phase Asynchronous Motor
Y系列高压三相异步电动机 (H355-800)	Y Series High-Voltage 3-Phase Asynchronous Motor
YKK系列高压三相异步电动机 (H355-800)	YKK Series High-Voltage 3-Phase Asynchronous Motor
Y2系列高压三相异步电动机 (H355-560)	Y2 Series High-Voltage 3-Phase Asynchronous Motor
YX系列高效高压三相异步电动机 (6KV, H355-630)	YX Series High Efficiency High-Voltage 3-Phase Asynchronous Motor
YX系列高效高压三相异步电动机 (10KV, H400-630)	YX Series High Efficiency High-Voltage 3-Phase Asynchronous Motor
YR系列高压绕线转子三相异步电动机 (H355-1000)	YR Series High-Voltage 3-Phase Wound Rotor Asynchronous Motor
YRKK系列高压绕线转子三相异步电动机 (H355-1000)	YRKK Series High-Voltage 3-Phase Wound Rotor Asynchronous Motor
YFSS系列双馈异步风力发电机 (H450-630)	YFSS Series Doubly Fed Induction Windmill Generator
YFWK系列双馈异步风力发电机 (H500)	YFWK Series Doubly Fed Induction Windmill Generator

## 客户合作 Cooperative Partner

