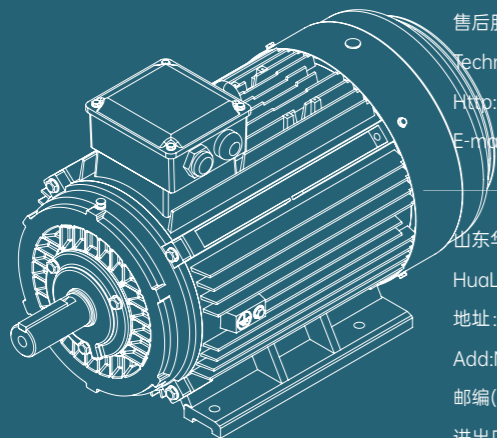
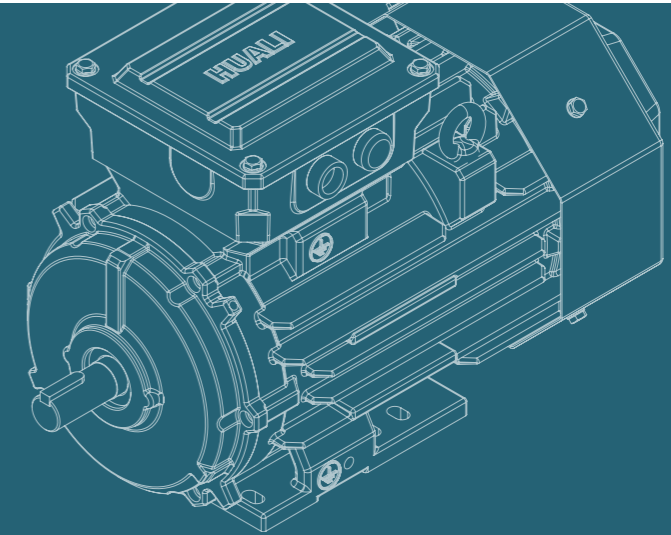
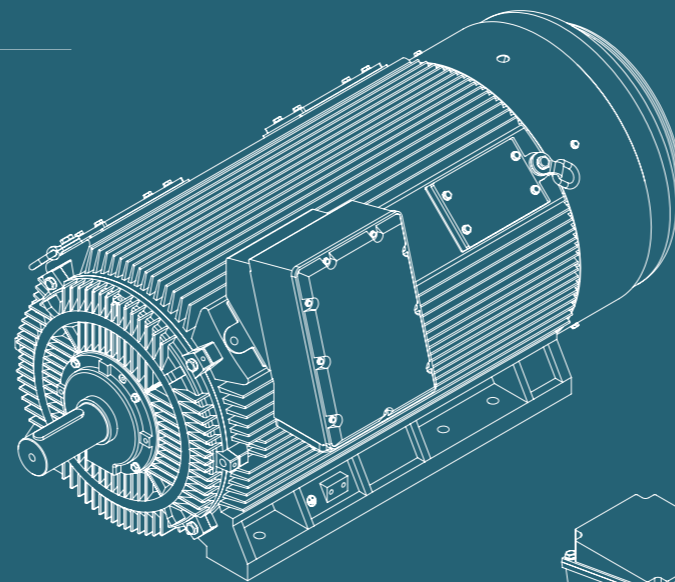
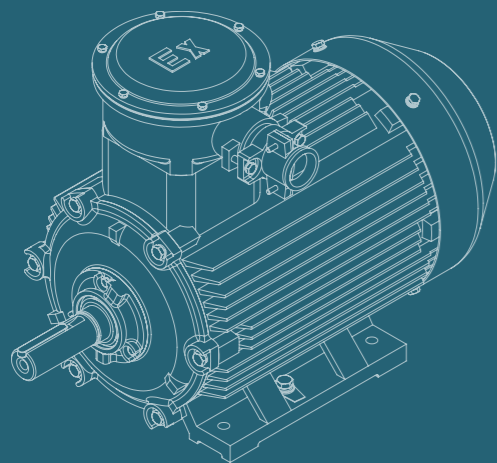
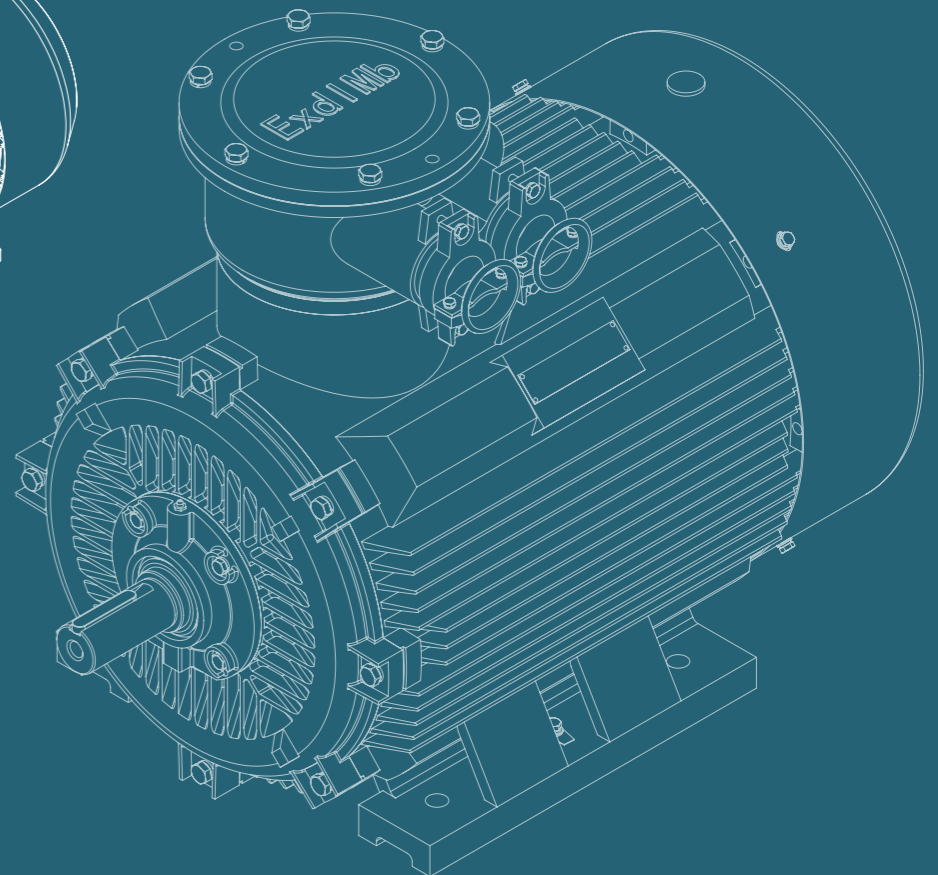
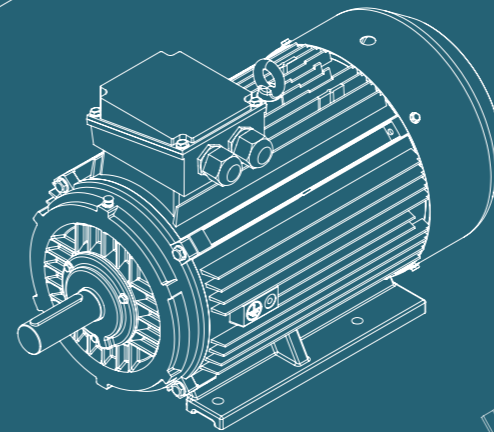


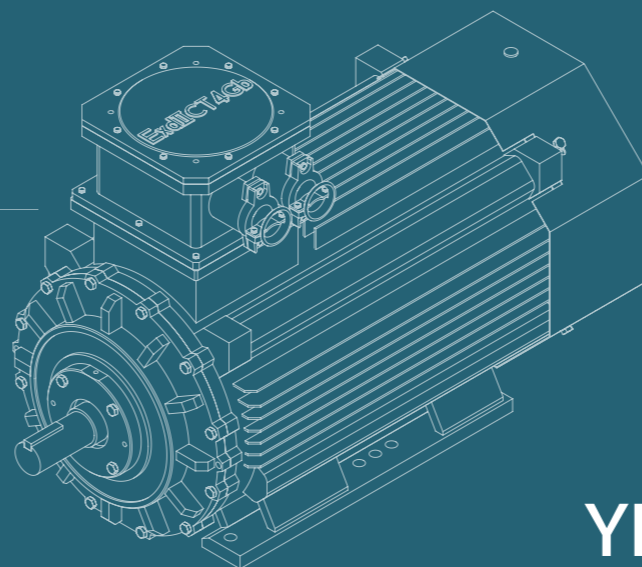
山东华力电机集团股份有限公司
 Shan Dong HuaLi Electric Motor Group CO.,LTD.
 地址: 山东省荣成市荣昌路9号
 Add:No.9 Rongchang Road,Rongcheng,Shandong
 邮编(P.C.):264300
 办公室(Office):0631-7551153
 经营计划部(Tel): 0631-7551307
 Sales Dept(Tel): 0631-7551307
 传真(Fax): 0631-7553744
 产品开发部(总部): 0631-7587026 7587027
 Department of Technology: 0631-7587026 7587027
 售后服务部: 0631-7555999
 Technical Service(Tel):0631-7555999
 Http://www.hualimotor.com.cn
 E-mail:info@hualimotor.com.cn



山东华力电机集团荣成工业新区
 HuaLi Group Rongcheng New Industry District
 地址: 山东省荣成市富源南路89号
 Add:No.89 Fu Yuan South Road,Rongcheng,Shandong
 邮编(P.C.):264300
 进出口部(Tel): 0631-7551302
 传真(Fax): 0631-7581937
 Import & Export Dept (Tel): 0631-7551302
 产品开发部(园区): 0631-7527221
 Department of Technology: 0631-7527221



山东华力电机集团苏州制造有限公司
 Shan Dong HuaLi Electric Motor Suzhou Manufacture CO.,LTD.
 地址: 江苏省苏州市新区泰山路188号
 Add:No.188, Taishan Road, Suzhou City, Jiangsu
 邮编(P.C.):215011
 办公室(Office): 0512-88186811
 传真(Fax): 0512-88186810
 经营计划部: 0512-88186833
 Sales Dept(Tel): 0512-88186833
 传真(Fax): 0512-88186832
 开发部(Tel): 0512-88186834
 Department of Technology:0512-88186834



YBX4系列高效率隔爆型三相异步电动机

YBX4 SERIES HIGH-EFFICIENCY FLAMEPROOF 3-PHASE ASYNCHRONOUS MOTOR

订货须知 Ordering instruction:
 本样本仅供用户参考, 具体数据内容可能会有变动, 订货请惠于联系。
 This catalogue is only a reference for users. The date may be changed, please contact us before ordering.
 订货时请详细说明产品型号, 额定功率, 同步转速, 电压及频率, 绝缘等级, 安装结构型式等。
 Please type rated output, synchronous speed, voltage and frequency, insulation class, mounting type etc, when ordering.
 如有特殊要求, 经双方协议后, 还可供应其它特殊规格电机。
 For special requirement, please contact us, we may supply special type of motor.

2023年9月

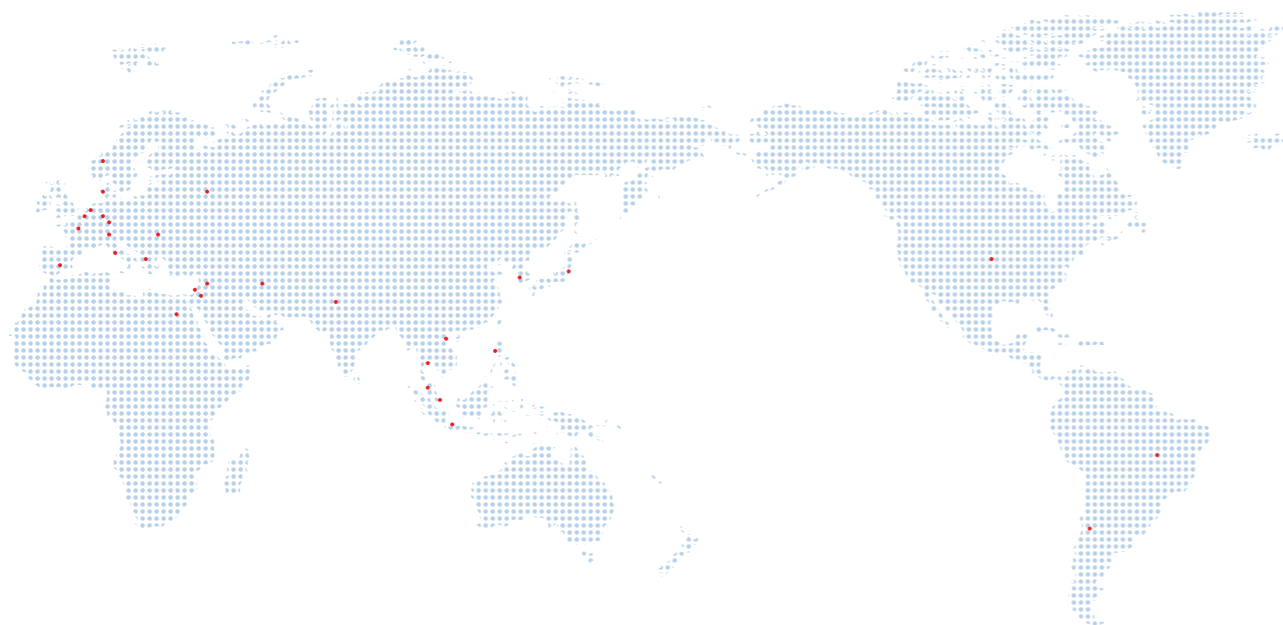


山东华力电机集团股份有限公司
 SHANDONG HUALI ELECTRIC MOTOR GROUP CO.,LTD.

山东·荣成

销售地区分布图

Sales Area Distribution Map



总公司地理位置图

Company Location Map



目录

CATALOGUE

01	企业简介 INTRODUCTION	15	装配图及零部件明细表 ARRANGEMENT AND PARTS LIST
03	产品概述 PRODUCT INTRODUCTION	18	防护等级 DEGRESS OF PROTECTION
04	详细说明 SPECIFICATION	18	密封圈尺寸 SIZE OF SEALING RING
05	技术数据 TECHNICAL DATA- 2极	19	安装型式 MOUNTING ARRANGEMENTS
06	技术数据 TECHNICAL DATA- 4极	19	接线指示图鼠笼式三相电动机 CONNECTION DIAGRAMS THREE PHASE MOTORS WITH CAGE ROTOR
07	技术数据 TECHNICAL DATA- 6极	20	上出线接线盒 TOP TERMINAL BOX
08	技术数据 TECHNICAL DATA- 8极	21	轴承、密封和润滑 BEARING, SEAL & LUBRICATION
09	B3外形及安装尺寸 DIMENSIONS FOOT MOUNT B3	23	主要产品介绍 MAIN PRODUCT INTRODUCTION
11	B35外形及安装尺寸 DIMENSIONS FOOT-FLANGE MOUNT B35	24	客户合作 COOPERATIVE PARTNER
13	B5&V1外形及安装尺寸 DIMENSIONS FLANGE MOUNT B5&V1		

企业简介 Introduction

山东华力电机集团股份有限公司创立于1970年，经过持续稳步发展，已成为集科研、生产、营销、服务于一体的现代化企业集团。公司下辖荣成崂山工业区、荣成工业新区及苏州工业新区三处制造企业，年生产能力120万台、2000万KW，是全球电机行业具有规模和实力的制造企业之一。

华力集团技术力量雄厚，建有山东省企业技术中心、山东省稀土永磁电机工程技术研究中心，构建起以低压电机为支撑，高压、低压大功率、特种电机为发展方向的产品格局。产品涵盖了YE5系列、YE4系列、YE3系列、HM4系列、HM3系列、YBX5系列、YBX4系列、YBX3系列、YFB5系列、YFB4系列、YFB3系列、YBK3系列、YBBP系列、YB3系列、YVF3系列、YVF2系列、YVF系列、YKK系列、YKS系列等(通用、防爆、船用、起重、冶金、变频、高压、风力发电、轨道交通等)50多个系列20000多个规格，是全球品种、规格齐全的电机制造厂家之一。公司拥有先进的生产检测设备，建立起完善的质量、环境管理体系，通过了ISO9001、ISO14001、CCC、CQC、CE、UL等多项认证认可。

公司坚持“占科技高点、拓全球市场”的发展战略，构筑起国内国际两大市场板块。在全国50多个大中城市建立起仓储式销售分公司，形成了快捷、高效的市场营销和服务网络，产品同时销往欧洲、亚洲、非洲、美洲等40多个国家和地区。企业规模及综合经济效益位居全球电机行业前列。

创新的理念，先进的技术，优良的品质，优质的服务和华力人团结奋进的精神，凝聚成企业不断成长和发展的动力。“创百年华力，树世界品牌”的企业目标正在努力实现！

Since its founding in 1970, through sustained and steady development, it is now a modern enterprise with its own production, distribution, R&D and customer service teams. Huali has built three manufacturing enterprises: Rongcheng Laoshan Industrial Area, Rongcheng Industrial New Area and Suzhou Industrial Area. The annual production capacity is 1.2 million motors(20 million KW), Huali is one of the manufacturing enterprises of global motor industry with scale and strength.

Huali group has strong technical force, established Shandong enterprise technology center and Shandong province rare earth permanent magnet motor engineering technology research center, Build a product pattern with low-voltage motor as support, high-voltage, low-voltage high-power and special motor as development direction. Our products includes about 20000 varieties types in more than 50 major series. such as, YE5、YE4、YE3、HM4、HM3、YBX5、YBX4、YBX3、YFB5、YFB4、YFB3、YBK3、YBBP、YB3、YVF3、YVF2、YVF、YKK、YKS(General, Explosion Proof, Marine, Lifting, Metallurgy, Frequency, Conversion High Voltage, Wind power generation ,Rail Transit etc).It is one of the motor manufacturers of the global varieties and complete specifications. Our company has advanced production testing equipment, Establish a sound quality and environmental management system. We have passed a number of accreditation such as:ISO9001、ISO14001、CCC、CQC、CE、UL etc.

The company insists on the development strategy of "Occupying the high point of science and technology, Expand-ing the global market", and constructs two major market plates of domestic and international. Store sales branches have been established in more than 50 large and medium-sized cities throughout the country, which created a highly efficient sale and service network. The products are also sold to more than 40 countries and regions such as Europe, Asia, Africa and America. The scale and comprehensive economic benefits of the enterprises rank in the forefront of the global motor industry.

Innovative ideas, advanced technology, excellent quality, high quality service and the spirit of unite and endeavour of Huali people, condensed into a continuous growth and development of the enterprise power. With such power, Huali and tis people will make the dream that "Creating a centennial Huali, Establishing a global brand" are being come true!



YBX4 系列高效率隔爆型三相异步电动机

Series High-Efficiency Flameproof 3-Phase Asynchronous Motor



产品概述 Product Introduction

YBX4 系列高效率隔爆型三相异步电动机符合 GB18613-2020《电动机能效限定值及能效等级》中规定的二级效率标准。电动机按照 GB/T3836.1-2021《爆炸性环境第 1 部分：设备 通用要求》和 GB/T3836.2-2021《爆炸性环境第 2 部分：由隔爆外壳“d”保护的的设备》的规定制成隔爆型，其防爆标志为 Ex db IIB T4 Gb 和 Ex db IIC T4 Gb，分别适用于 II 类 B 和 C 级 T1 ~ T4 组可燃性气体或蒸汽与空气形成的爆炸性混合物的场所内的设备上，作为一般动力设备使用。

其提高效率设计，符合国家对生产制造行业提出节能降耗的要求。

YBX4 系列电机的安装尺寸符合 IEC 60034 标准。具有结构合理，外形美观，效率高，噪音低，防护等级、绝缘等级高、使用寿命长、可靠性强等优点，主要应用于煤矿、石油天然气、石油化工和化学工业。此外，在纺织、冶金、城市燃气、交通、粮油加工、造纸、医药等部门也被广泛应用。

YBX4 series high-efficiency flameproof three-phase asynchronous motors is in line with the second efficiency standards specified in GB18613-2020 "Motor Energy Efficiency Limits and energy efficiency Grades". Motor in accordance with GB/T 3836.1-2021 "Explosive atmospheres—Part 1:Equipment—General requirements" and GB/T3836.2-2021 "Explosive atmospheres—Part 2:Equipment protection by flameproof enclosures“d”" made of flameproof type,the explosion-proof mark is Ex db IIB T4 Gb and Ex db IIC T4 Gb, respectively, for use as general power equipment in Class IIB and C Class T1 ~ T4 flammable gas or steam and air formed explosive mixture of equipment.

Improvement on design of efficiency is in line with the state's requirements on the energy saving and consumption reducing of the manufacturing sector.

YBX4 series motors are installed in accordance with IEC 60034 standards. It has the advantages of reasonable structure, beautiful appearance, high efficiency, low noise, high protection grade, high insulation grade, long service life, strong reliability, etc., mainly used in coal mine, oil and gas, petrochemical and chemical industry. In addition, it is also widely used in textile, metallurgy, urban gas, transportation, grain and oil processing, paper making, medicine and other sectors.

详细说明 Specification

◆现场条件

YBX4系列电动机标准工作条件为海拔不超过1000m,环境温度最低为-15℃,环境温度最高为40℃。

◆温升和绝缘

电动机按F级绝缘设计(155℃),按B级绝缘考核(80K),电动机的使用寿命和可靠性得到保证。

◆冷却和通风

标准冷却方式为全封闭自扇冷。标准电机装有辅流式塑料风扇。符合IEC60034-6中IC411的规定。

◆防护等级

电动机的防护等级为IP55,可用于含尘或潮湿环境。也可根据客户要求提供更高防护等级的电动机。

◆电机保护

可根据要求安装PTC、PT100等绕组和轴承测温及保护装置。

◆电压、频率

标准电机为380V/50HZ。在供电电压偏离额定电压±5%的情况下,仍能良好运行。

◆振动

YBX4系列电动机在空载时振动速度等级符合A级。特殊要求时,可提供B级电动机。

◆质量保证

从产品设计到产品出厂,遵循ISO9001 质量认证体系,严格遵守质量程序。

Site conditions

The standard working condition of YBX4 series motor is no more than 1000m above sea level,the lowest ambient temperature is -15°C,and the highest ambient temperature is 40°C.

Temperature and insulation

F class (155°C) insulation system and temperature rise class B (80K) are adopted to the motor,The service life and reliability of the motor are guaranteed.

Cooling and ventilation

The standard cooling method is fully enclosed self-fan-cooling. The standard motor is equipped with a co-flow plastic fan. Comply with IC411 in IEC60034-6.

Protection class

The standard protection degree of motor is IP55, which make moist and dusty condition is also allowable. Higher degree of protection is also available according to customer's requirement.

Motor protection

The protection and measurement equipment to Winding and bearing such as PTC, PT100 are available on request.

Voltage and frequency

Standard voltage and frequency is 380V/ 50HZ, The motors will operate satisfactorily with variations of ±5% from the rated voltage.

Vibration

Standard vibration class is A during no-load condition; higher vibration class B is available on request.

Quality assurance

Stringent quality procedures are observed from first design to finished products in accordance with ISO9001 documented quality systems.

技术数据 Technical Data

2极-同步转速3000r/min 50HZ 2pole-3000rpm synchronous speed 50HZ

型号 motor type	额定 功率 rated output kW	额定 转速 rated speed rpm	额定 电流 IFL 380V A	效率 EFF %	功率 因数 power factor cosφ	额定 转矩 rated torque N.m	堵转 转矩 额定 转矩 TST/TFL	最大 转矩 额定 转矩 TM/TFL	堵转 电流 额定 电流 IST/IFL	转动 惯量 M of I kgm ²	噪音 noise level LW dB(A)	重量 net weight kg
YBX4-71M1-2	0.37	2705	0.9	78.1	0.81	1.3	2.3	2.2	7.0	0.0003	62	24
YBX4-71M2-2	0.55	2720	1.3	81.5	0.82	1.9	2.3	2.3	7.0	0.0005	62	25
YBX4-80M1-2	0.75	2880	1.6	83.5	0.83	2.5	2.2	2.3	8.5	0.001	62	19
YBX4-80M2-2	1.1	2885	2.4	85.2	0.83	3.6	2.2	2.3	8.5	0.002	62	20
YBX4-90S-2	1.5	2900	3.1	86.5	0.85	4.9	2.2	2.3	9.0	0.002	67	23
YBX4-90L-2	2.2	2900	4.4	88.0	0.86	7.2	2.2	2.3	9.0	0.003	67	32
YBX4-100L-2	3	2900	5.9	89.1	0.87	9.9	2.2	2.3	9.5	0.006	74	45
YBX4-112M-2	4	2905	7.7	90.0	0.88	13.1	2.2	2.3	9.5	0.009	77	50
YBX4-132S1-2	5.5	2940	10.4	90.9	0.88	17.9	2.0	2.3	9.5	0.024	79	85
YBX4-132S2-2	7.5	2940	14.0	91.7	0.89	24.4	2.0	2.3	9.5	0.029	79	91
YBX4-160M1-2	11	2955	20.3	92.6	0.89	35.5	2.0	2.3	9.5	0.067	81	134
YBX4-160M2-2	15	2955	27.4	93.3	0.89	48.5	2.0	2.3	9.5	0.080	81	150
YBX4-160L-2	18.5	2960	33.7	93.7	0.89	59.7	2.0	2.3	9.5	0.097	81	170
YBX4-180M-2	22	2965	40.0	94.0	0.89	70.9	2.0	2.3	9.5	0.137	83	244
YBX4-200L1-2	30	2970	54.2	94.5	0.89	96.5	2.0	2.3	9.0	0.227	84	329
YBX4-200L2-2	37	2970	66.6	94.8	0.89	119.0	2.0	2.3	9.0	0.269	84	345
YBX4-225M-2	45	2975	80.9	95.0	0.89	144.5	2.0	2.3	9.0	0.360	86	436
YBX4-250M-2	55	2980	98.5	95.3	0.89	176.3	2.0	2.3	9.0	0.791	89	546
YBX4-280S-2	75	2980	133.9	95.6	0.89	240.4	1.8	2.3	8.5	0.960	91	681
YBX4-280M-2	90	2980	160.4	95.8	0.89	288.4	1.8	2.3	8.5	1.157	91	731
YBX4-315S-2	110	2980	195.6	96.0	0.89	352.5	1.8	2.3	8.5	1.662	92	1296
YBX4-315M-2	132	2980	234.2	96.2	0.89	423.0	1.8	2.3	8.5	1.874	92	1369
YBX4-315L1-2	160	2980	283.6	96.3	0.89	512.8	1.8	2.2	8.5	2.146	92	1463
YBX4-315L2-2	200	2980	353.8	96.5	0.89	640.9	1.8	2.2	8.5	2.448	92	1544
YBX4-355M1-2	220	2980	384.9	96.5	0.9	705.0	1.6	2.2	8.5	3.8	100	1820
YBX4-355M2-2	250	2980	432.6	96.5	0.91	801.2	1.6	2.2	8.5	4.4	100	1900
YBX4-355L-2	280	2980	484.5	96.5	0.91	897.3	1.6	2.2	8.5	4.8	100	2150
YBX4-3551-2	315	2980	545.0	96.5	0.91	1009.5	1.6	2.2	8.5	5.0	100	2220
YBX4-3552-2	355	2980	614.2	96.5	0.91	1137.6	1.2	1.8	8.5	5.6	100	2280

注: YBX4-71M1-2、YBX4-71M2-2仅有Ex db IIC T4 Gb认证。

技术数据 Technical Data

4极-同步转速1500r/min 50HZ 4pole-1500rpm synchronous speed 50HZ

型号 motor type	额定 功率 rated output kW	额定 转速 rated speed rpm	额定 电流 IFL 380V A	效率 EFF %	功率 因数 power factor cosφ	额定 转矩 rated torque N.m	堵转 转矩 额定 转矩 TST/TFL	最大 转矩 额定 转矩 TM/TFL	堵转 电流 额定 电流 IST/IFL	转动 惯量 M of I kgm ²	噪音 noise level LW dB(A)	重量 net weight kg
YBX4-71M1-4	0.25	1355	0.7	77.9	0.74	1.8	2.1	2.2	6.6	0.0007	55	24
YBX4-71M2-4	0.37	1355	0.9	81.1	0.75	2.6	2.1	2.2	6.6	0.0008	55	25
YBX4-80M1-4	0.55	1400	1.3	83.9	0.75	3.8	2.3	2.3	6.6	0.0027	56	28
YBX4-80M2-4	0.75	1420	1.8	85.7	0.74	5.0	2.3	2.3	8.5	0.003	56	20
YBX4-90S-4	1.1	1430	2.6	87.2	0.75	7.3	2.3	2.3	8.5	0.004	59	27
YBX4-90L-4	1.5	1430	3.4	88.2	0.76	10.0	2.3	2.3	9.0	0.005	59	30
YBX4-100L1-4	2.2	1450	4.7	89.5	0.79	14.5	2.3	2.3	9.0	0.012	64	41
YBX4-100L2-4	3	1450	6.3	90.4	0.80	19.8	2.3	2.3	9.5	0.016	64	46
YBX4-112M-4	4	1460	8.3	91.1	0.80	26.2	2.3	2.3	9.5	0.022	65	54
YBX4-132S-4	5.5	1475	11.4	91.9	0.80	35.6	2.0	2.3	9.5	0.060	71	100
YBX4-132M-4	7.5	1475	15.2	92.6	0.81	48.6	2.0	2.3	9.5	0.071	71	112
YBX4-160M-4	11	1475	21.6	93.3	0.83	71.2	2.0	2.3	9.5	0.137	73	148
YBX4-160L-4	15	1475	28.9	93.9	0.84	97.1	2.0	2.3	9.5	0.171	73	172
YBX4-180M-4	18.5	1480	35.1	94.2	0.85	119.4	2.0	2.3	9.5	0.238	76	241
YBX4-180L-4	22	1480	41.6	94.5	0.85	142.0	2.0	2.3	9.5	0.259	76	257
YBX4-200L-4	30	1485	56.5	94.9	0.85	192.9	2.0	2.3	9.0	0.459	76	366
YBX4-225S-4	37	1485	69.5	95.2	0.85	237.9	2.0	2.3	9.0	0.656	78	407
YBX4-225M-4	45	1485	84.3	95.4	0.85	289.4	2.0	2.3	9.0	0.758	78	435
YBX4-250M-4	55	1485	101.5	95.7	0.86	353.7	2.0	2.3	9.0	1.078	79	553
YBX4-280S-4	75	1485	136.4	96.0	0.87	482.3	2.0	2.3	8.5	1.800	80	717
YBX4-280M-4	90	1485	161.7	96.1	0.88	578.8	2.0	2.3	8.5	2.130	80	788
YBX4-315S-4	110	1490	195.0	96.3	0.89	705.0	1.8	2.2	8.5	3.415	88	1320
YBX4-315M-4	132	1490	233.8	96.4	0.89	846.0	1.8	2.2	8.5	3.807	88	1387
YBX4-315L1-4	160	1490	279.6	96.6	0.90	1025.5	1.8	2.2	8.5	3.423	88	1458
YBX4-315L2-4	200	1490	349.2	96.7	0.90	1281.9	1.8	2.2	8.5	5.262	88	1545
YBX4-355M1-4	220	1490	384.1	96.7	0.9	1410.1	1.8	2.2	8.5	9.2	95.0	1860
YBX4-355M2-4	250	1490	436.5	96.7	0.9	1602.3	1.8	2.2	8.5	9.9	95.0	1920
YBX4-355L-4	280	1490	488.8	96.7	0.9	1794.6	1.8	2.2	8.5	10.2	95.0	2050
YBX4-3551-4	315	1490	550.0	96.7	0.9	2019.0	1.8	2.2	8.5	11.6	95.0	2350
YBX4-3552-4	355	1490	619.8	96.7	0.9	2275.3	1.3	1.8	8.5	12.8	95.0	2460

注: YBX4-71M1-4、YBX4-71M2-4仅有Ex db IIC T4 Gb认证。

技术数据 Technical Data

6极-同步转速1000r/min 50HZ 6pole-1000rpm synchronous speed 50HZ

型号 motor type	额定 功率 rated output kW	额定 转速 rated speed rpm	额定 电流 IFL 380V A	效率 EFF %	功率 因数 power factor cosφ	额定 转矩 rated torque N.m	堵转 转矩 额定 转矩 TST/TFL	最大 转矩 额定 转矩 TM/TFL	堵转 电流 额定 电流 IST/IFL	转动 惯量 M of I kgm ²	噪音 noise level LW dB(A)	重量 net weight kg
YBX4-71M1-6	0.18	910	0.6	70.1	0.66	1.9	1.9	2.0	6.0	0.0011	52	26
YBX4-71M2-6	0.25	910	0.8	74.1	0.68	2.6	1.9	2.0	6.0	0.0013	52	27
YBX4-80M1-6	0.37	940	1.0	78.0	0.70	3.8	1.9	2.0	6.0	0.0033	54	30
YBX4-80M2-6	0.55	940	1.5	80.9	0.71	5.6	1.9	2.1	6.0	0.0037	54	32
YBX4-90S-6	0.75	940	2.0	82.7	0.70	7.6	2.1	2.1	7.5	0.004	57	25
YBX4-90L-6	1.1	940	2.8	84.5	0.70	11.2	2.1	2.1	7.5	0.006	57	30
YBX4-100L-6	1.5	950	3.7	85.9	0.71	15.1	2.1	2.1	7.5	0.016	61	40
YBX4-112M-6	2.2	950	5.4	87.4	0.71	22.1	2.1	2.1	7.5	0.039	65	46
YBX4-132S-6	3	975	7.2	88.6	0.71	29.4	2.0	2.1	7.5	0.035	69	83
YBX4-132M1-6	4	975	9.4	89.5	0.72	39.2	2.0	2.1	8.0	0.043	69	95
YBX4-132M2-6	5.5	975	12.8	90.5	0.72	53.9	2.0	2.1	8.0	0.056	69	110
YBX4-160M-6	7.5	980	16.4	91.3	0.76	73.1	2.0	2.1	8.0	0.140	73	146
YBX4-160L-6	11	980	23.5	92.3	0.77	107.2	2.0	2.1	8.5	0.192	73	168
YBX4-180L-6	15	985	30.7	92.9	0.80	145.4	2.0	2.1	8.5	0.319	73	204
YBX4-200L1-6	18.5	985	37.6	93.4	0.80	179.4	2.0	2.1	8.5	0.446	73	308
YBX4-200L2-6	22	985	44.0	93.7	0.81	213.3	2.0	2.1	8.5	0.557	73	326
YBX4-225M-6	30	985	59.0	94.2	0.82	290.9	2.0	2.1	8.3	0.832	74	397
YBX4-250M-6	37	985	71.7	94.5	0.83	358.7	2.0	2.1	8.3	1.447	76	477
YBX4-280S-6	45	990	86.9	94.8	0.83	434.1	2.0	2.0	8.5	2.252	78	702
YBX4-280M-6	55	990	104.6	95.1	0.84	530.6	2.0	2.0	8.5	2.726	78	763
YBX4-315S-6	75	990	142.2	95.4	0.84	723.5	1.6	2.0	8.0	3.984	83	1265
YBX4-315M-6	90	990	168.3	95.6	0.85	868.2	1.6	2.0	8.0	4.500	83	1334
YBX4-315L1-6	110	990	205.2	95.8	0.85	1061.1	1.6	2.0	8.0	5.607	83	1465
YBX4-315L2-6	132	990	242.9	96.0	0.86	1273.3	1.6	2.0	8.0	6.935	83	1525
YBX4-355M1-6	160	990	293.9	96.2	0.86	1543.4	1.6	2.0	7.8	11.9	85	1820
YBX4-355M2-6	185	990	339.8	96.2	0.86	1784.6	1.6	2.0	7.8	12.9	85	1890
YBX4-355L-6	200	990	367.3	96.3	0.86	1929.3	1.6	2.0	7.8	13.4	85	1980
YBX4-3551-6	250	990	457.7	96.5	0.86	2411.6	1.6	2.0	7.8	14.3	91	2340
YBX4-3552-6	280	990	512.6	96.5	0.86	2701.0	1.6	2.0	7.8	14.8	91	2380

注: YBX4-71M1-6、YBX4-71M2-6仅有Ex db IIC T4 Gb认证。

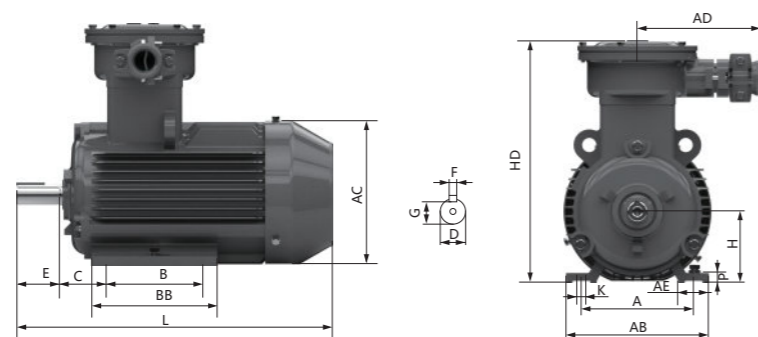
技术数据 Technical Data

8极-同步转速750r/min 50HZ 8pole-750rpm synchronous speed 50HZ

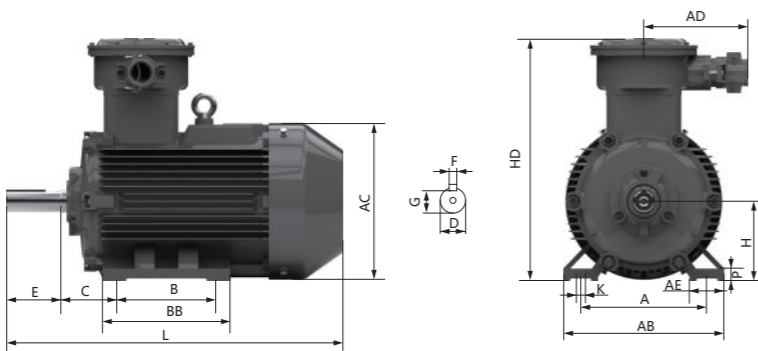
型号 motor type	额定 功率 rated output kW	额定 转速 rated speed rpm	额定 电流 IFL 380V A	效率 EFF %	功率 因数 power factor cosφ	额定 转矩 rated torque N.m	堵转 转矩 额定 转矩 TST/TFL	最大 转矩 额定 转矩 TM/TFL	堵转 电流 额定 电流 IST/IFL	转动 惯量 M of I kgm ²	噪音 noise level LW dB(A)	重量 net weight kg
YBX4-80M1-8	0.18	635	0.7	67.2	0.61	2.7	1.8	1.9	5.2	0.0023	52	30
YBX4-80M2-8	0.25	635	0.9	70.8	0.61	3.8	1.8	1.9	5.7	0.0029	52	33
YBX4-90S-8	0.37	665	1.2	74.3	0.61	5.3	1.8	1.9	6.2	0.004	56	39
YBX4-90L-8	0.55	665	1.6	77.0	0.67	7.9	1.8	2.0	5.9	0.006	56	48
YBX4-100L1-8	0.75	695	2.2	78.4	0.66	10.3	2.0	2.0	7.0	0.008	59	45
YBX4-100L2-8	1.1	695	3.1	80.8	0.67	15.1	2.0	2.0	7.0	0.01	59	47
YBX4-112M-8	1.5	705	4.0	82.6	0.69	20.3	2.0	2.0	7.0	0.017	61	50
YBX4-132S-8	2.2	715	5.7	84.5	0.7	29.4	1.8	2.0	7.5	0.031	64	65
YBX4-132M-8	3	715	7.6	85.9	0.7	40.1	1.8	2.0	7.8	0.04	64	75
YBX4-160M1-8	4	720	9.8	87.1	0.71	53.1	1.8	2.0	7.9	0.075	68	105
YBX4-160M2-8	5.5	720	13.1	88.3	0.72	73	1.8	2.0	8.1	0.093	68	125
YBX4-160L-8	7.5	720	17.2	89.3	0.74	99.5	1.8	2.0	7.8	0.126	68	135
YBX4-180L-8	11	735	25.0	90.4	0.74	142.9	1.8	2.0	7.9	0.203	70	200
YBX4-200L-8	15	740	33.3	91.2	0.75	193.6	1.8	2.0	8.0	0.339	73	240
YBX4-225S-8	18.5	740	40.9	91.7	0.75	238.8	1.8	2.0	8.1	0.491	73	280
YBX4-225M-8	22	740	47.8	92.1	0.76	283.9	1.8	2.0	8.3	0.547	73	310
YBX4-250M-8	30	745	63.9	92.7	0.77	384.6	1.8	2.0	7.9	0.83	75	400
YBX4-280S-8	37	745	77.4	93.1	0.78	474.3	1.8	2.0	7.9	1.4	76	530
YBX4-280M-8	45	745	93.9	93.4	0.78	576.8	1.8	2.0	7.9	1.65	76	590
YBX4-315S-8	55	745	111.5	93.7	0.8	705	1.6	2.0	8.2	4.8	82	790
YBX4-315M-8	75	745	151.2	94.2	0.8	961.4	1.6	2.0	7.6	5.6	82	1100
YBX4-315L1-8	90	745	178.8	94.4	0.81	1153.7	1.6	2.0	7.7	6.4	82	1160
YBX4-315L2-8	110	745	217.9	94.7	0.81	1410.1	1.6	2.0	7.7	7.3	82	1260
YBX4-355M1-8	132	745	260.9	94.9	0.81	1692	1.6	2.0	5.4	12.5	89	1900
YBX4-355M2-8	160	745	311.8	95.1	0.82	2051	1.6	2.0	5.4	12.9	89	1980
YBX4-355L-8	185	745	360.0	95.2	0.82	2371	1.6	2.0	5.4	13.9	89	2070
YBX4-3551-8	200	745	388.5	95.4	0.82	2563	1.6	2.0	5.4	14.2	89	2300
YBX4-3552-8	220	745	427.3	95.4	0.82	2820	1.6	2.0	5.4	14.9	89	2360

▼ B3外形及安装尺寸 Dimensions Foot Mount B3

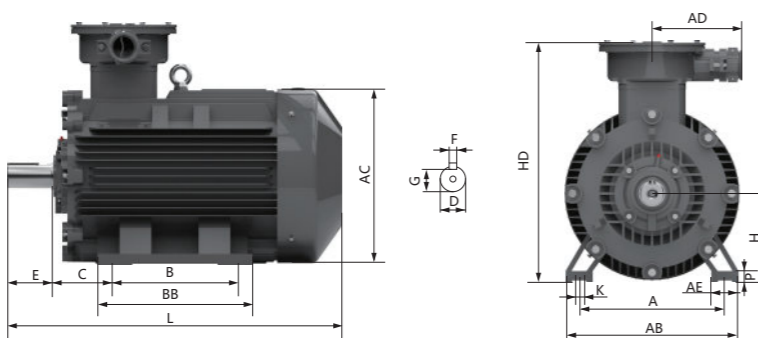
YBX4-80~132



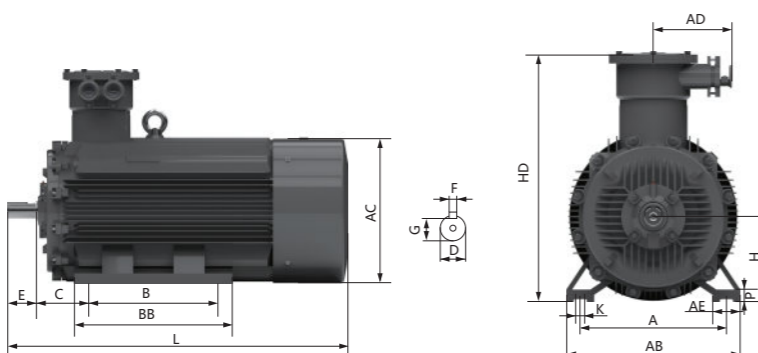
YBX4-160~200



YBX4-225~280



YBX4-315~355



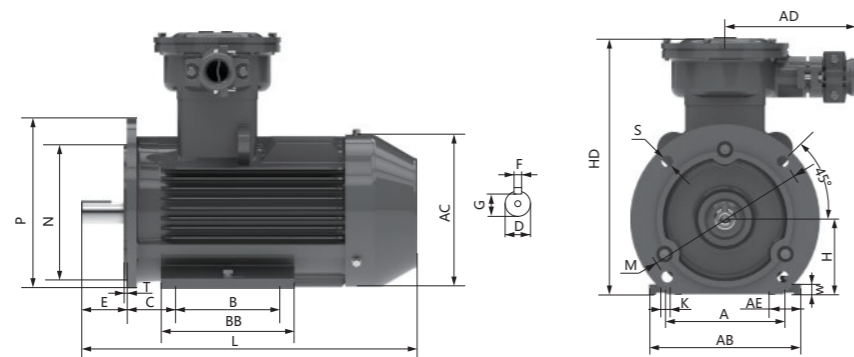
▼ B3外形及安装尺寸 Dimensions Foot Mount B3

机座号	极数	A	AA	AB	AC*	AD	B	BB	C	D	E	ED	F	G	GD	H	HA	HD	K	L*
71M	2-6	112	32	144	138	178	90	150	45	14	30	20	5	11	5	71	8	300	7	280
80M	2-8	125	34	160	167	178	100	130	50	19	40	22	6	15.5	6	80	10	310	10	340
90S	2-8	140	36	176	184	178	100	130	56	24	50	32	8	20	7	90	14	335	10	390
90L	2-8	140	36	175	184	178	125	155	56	24	50	32	8	20	7	90	14	335	10	420
100L	2-8	160	43	200	207	178	140	176	63	28	60	40	8	24	7	100	14	360	12	470
112M	2-8	190	50	240	221	193	140	180	70	28	60	40	8	24	7	112	16	375	12	520
132S	2-8	216	60	276	260	193	140	190	89	38	80	56	10	33	8	132	18	420	12	530
132M	2-8	216	60	276	260	193	178	230	89	38	80	56	10	33	8	132	18	420	12	570
160M	2-8	254	70	324	315	210	210	258	108	42	110	80	12	37	8	160	25	500	14.5	700
160L	2-8	254	70	324	315	210	254	302	108	42	110	80	12	37	8	160	25	500	14.5	730
180M	2-8	279	70	349	356	210	241	311	121	48	110	80	14	42.5	9	180	22	535	15	790
180L	2-8	279	70	349	356	210	279	349	121	48	110	80	14	42.5	9	180	22	535	15	810
200L	2-8	318	70	388	398	240	305	366	133	55	110	90	16	49	10	200	25	612	18.5	850
225S	4-8	356	75	430	446	240	286	355	149	60	140	100	18	53	11	225	28	665	18.5	900
225M	2	356	75	430	446	240	311	380	149	55	110	80	16	49	10	225	28	665	18.5	900
225M	4-8	356	75	430	446	240	311	380	149	60	140	100	18	53	11	225	28	665	18.5	930
250M	2	406	80	490	495	270	349	420	168	60	140	100	18	53	11	250	30	730	24	965
250M	4-8	406	80	490	495	270	349	420	168	65	140	100	18	58	11	250	30	730	24	965
280S	2	457	85	545	550	270	368	440	190	65	140	100	18	58	11	280	35	790	24	995
280S	4-8	457	85	545	550	270	368	440	190	75	140	100	20	67.5	12	280	35	790	24	1005
280M	2	457	85	545	550	270	419	490	190	65	140	100	18	58	11	280	35	790	24	1050
280M	4-8	457	85	545	550	270	419	490	190	75	140	100	20	67.5	12	280	35	790	24	1060
315S	2	508	120	630	620	320	406	550	216	65	140	100	18	58	11	315	45	930	28	1190
315M	2	508	120	630	620	320	457	680	216	65	140	100	18	58	11	315	45	930	28	1310
315L	2	508	120	630	620	320	508	680	216	65	140	100	18	58	11	315	45	930	28	1310
315S	4-8	508	120	630	620	320	406	550	216	80	170	130	22	71	14	315	45	930	28	1270
315M	4-8	508	120	630	620	320	457	680	216	80	170	130	22	71	14	315	45	930	28	1410
315L	4-8	508	120	630	620	320	508	680	216	80	170	130	22	71	14	315	45	930	28	1410
355M	2	610	116	730	698	320	560	700	254	75	140	110	20	67.5	12	355	52	1050	28	1535
355L	2	610	116	730	698	320	630	770	254	75	140	110	20	67.5	12	355	52	1050	28	1645
355M	4-8	610	116	730	698	320	560	700	254	75	140	110	20	67.5	12	355	52	1050	28	1565
355L	4-8	610	116	730	698	320	630	770	254	95	170	140	25	86	14	355	52	1050	28	1675
3551、2	2	610	116	730	698	320	630	770	254	95	170	140	25	86	14	355	52	1050	28	1645
3551、2	4-8	610	116	730	698	320	630	770	254	95	170	140	25	86	14	355	52	1050	28	1675

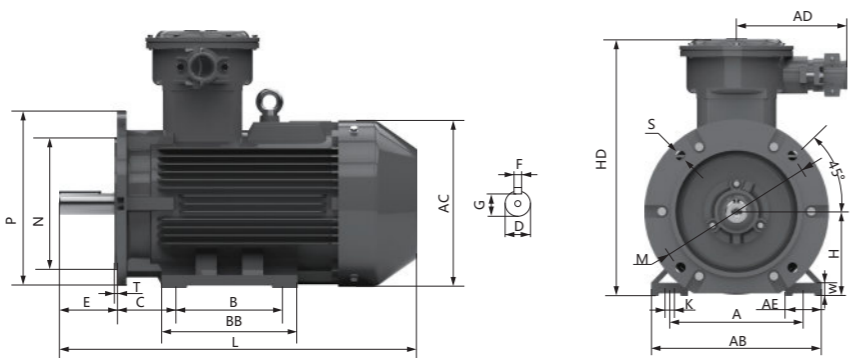
注:1.80-132机座号的L尺寸公差±5,160-355机座号的L尺寸公差±8。
The dimension of 'L' with tolerance ±5 for frame 80-132,tolerance ±8 for frame 160-355.
2.AC及L尺寸为最大外形尺寸,具体规格以确认外形图为准。
AC and L dimensions are the maximum external dimensions, and the details are subject to the confirmed drawings.

▼ B35外形及安装尺寸 Dimensions Foot-Flange Mount B35

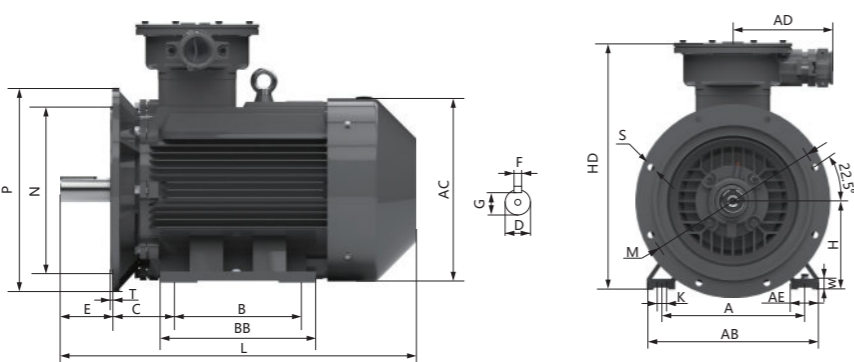
YBX4-80~132



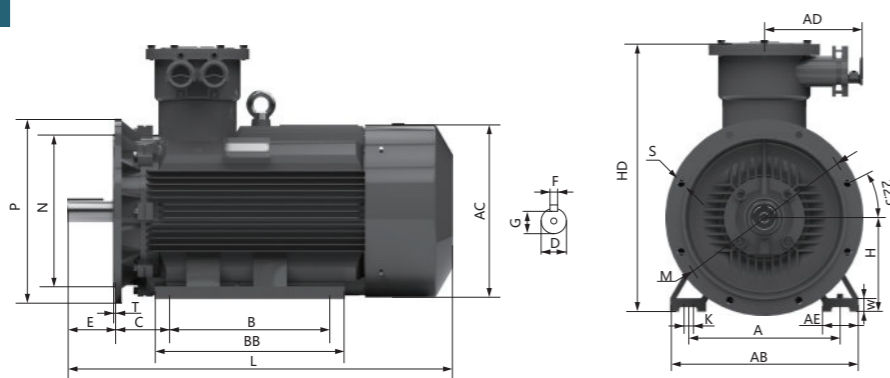
YBX4-160~200



YBX4-225~280



YBX4-315~355



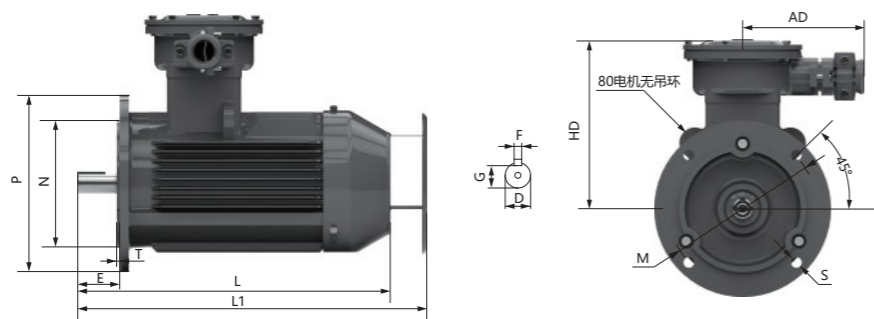
▼ B35外形及安装尺寸 Dimensions Foot-Flange Mount B35

机座号	极数	A	AA	AB	AC*	AD	B	BB	C	D	E	ED	F	G	GD	H	HA	HD	K	L*	LA	M	N	P	S	T
71M	2-6	112	32	144	138	178	90	150	45	14	30	20	5	11	5	71	8	300	7	280	10	130	110	160	10	3.5
80M	2-8	125	34	160	167	178	100	130	50	19	40	22	6	15.5	6	80	10	310	10	340	12	165	130	200	12	3.5
90S	2-8	140	36	176	184	178	100	130	56	24	50	32	8	20	7	90	14	335	10	390	12	165	130	200	12	3.5
90L	2-8	140	36	175	184	178	125	155	56	24	50	32	8	20	7	90	14	335	10	420	12	165	130	200	12	3.5
100L	2-8	160	43	200	207	178	140	176	63	28	60	40	8	24	7	100	14	360	12	470	13	215	180	250	15	4
112M	2-8	190	50	240	221	193	140	180	70	28	60	40	8	24	7	112	16	375	12	520	13	215	180	250	15	4
132S	2-8	216	60	276	260	193	140	190	89	38	80	56	10	33	8	132	18	420	12	530	15	265	230	300	15	4
132M	2-8	216	60	276	260	193	178	230	89	38	80	56	10	33	8	132	18	420	12	570	15	265	230	300	15	4
160M	2-8	254	70	324	315	210	210	258	108	42	110	80	12	37	8	160	25	500	14.5	700	18	300	250	350	19	5
160L	2-8	254	70	324	315	210	254	302	108	42	110	80	12	37	8	160	25	500	14.5	730	18	300	250	350	19	5
180M	2-8	279	70	349	356	210	241	311	121	48	110	80	14	42.5	9	180	22	535	15	790	18	300	250	350	19	5
180L	2-8	279	70	349	356	210	279	349	121	48	110	80	14	42.5	9	180	22	535	15	810	18	300	250	350	19	5
200L	2-8	318	70	388	398	240	305	366	133	55	110	90	16	49	10	200	25	612	18.5	850	20	350	300	400	19	5
225S	4-8	356	75	430	446	240	286	355	149	60	140	100	18	53	11	225	28	665	18.5	900	20	400	350	450	19	5
225M	2	356	75	430	446	240	311	380	149	55	110	80	16	49	10	225	28	665	18.5	900	20	400	350	450	19	5
225M	4-8	356	75	430	446	240	311	380	149	60	140	100	18	53	11	225	28	665	18.5	930	20	400	350	450	19	5
250M	2	406	80	490	495	270	349	420	168	60	140	100	18	53	11	250	30	730	24	965	20	500	450	550	19	5
250M	4-8	406	80	490	495	270	349	420	168	65	140	100	18	58	11	250	30	730	24	965	20	500	450	550	19	5
280S	2	457	85	545	550	270	368	440	190	65	140	100	18	58	11	280	35	790	24	995	25	500	450	550	19	5
280S	4-8	457	85	545	550	270	368	440	190	75	140	100	20	67.5	12	280	35	790	24	1005	25	500	450	550	19	5
280M	2	457	85	545	550	270	419	490	190	65	140	100	18	58	11	280	35	790	24	1050	25	500	450	550	19	5
280M	4-8	457	85	545	550	270	419	490	190	75	140	100	20	67.5	12	280	35	790	24	1060	25	500	450	550	19	5
315S	2	508	120	630	620	320	406	550	216	65	140	100	18	58	11	315	45	930	28	1190	25	600	550	660	24	6
315M	2	508	120	630	620	320	457	680	216	65	140	100	18	58	11	315	45	930	28	1310	25	600	550	660	24	6
315L	2	508	120	630	620	320	508	680	216	65	140	100	18	58	11	315	45	930	28	1310	25	600	550	660	24	6
315S	4-8	508	120	630	620	320	406	550	216	80	170	130	22	71	14	315	45	930	28	1270	25	600	550	660	24	6
315M	4-8	508	120	630	620	320	457	680	216	80	170	130	22	71	14	315	45	930	28	1410	25	600	550	660	24	6
315L	4-8	508	120	630	620	320	508	680	216	80	170	130	22	71	14	315	45	930	28	1410	25	600	550	660	24	6
355M	2	610	116	730	698	320	560	700	254	75	140	110	20	67.5	12	355	52	1050	28	1535	25	740	680	800	24	6
355L	2	610	116	730	698	320	630	770	254	75	140	110	20	67.5	12	355	52	1050	28	1645	25	740	680	800	24	6
355M	4-8	610	116	730	698	320	560	700	254	95	170	140	25	86	14	355	52	1050	28	1565	25	740	680	800	24	6
355L	4-8	610	116	730	698	320	630	770	254	95	170	140	25	86	14	355	52	1050	28	1675	25	740	680	800	24	6
3551、2	2	610	116	730	698	320	630	770	254	75	140	110	20	67.5	12	355	52	1050	28	1645	25	740	680	800	24	6
3551、2	4-8	610	116	730	698	320	630	770	254	95	170	140	25	86	14	355	52	1050	28	1675	25	740	680	800	24	6

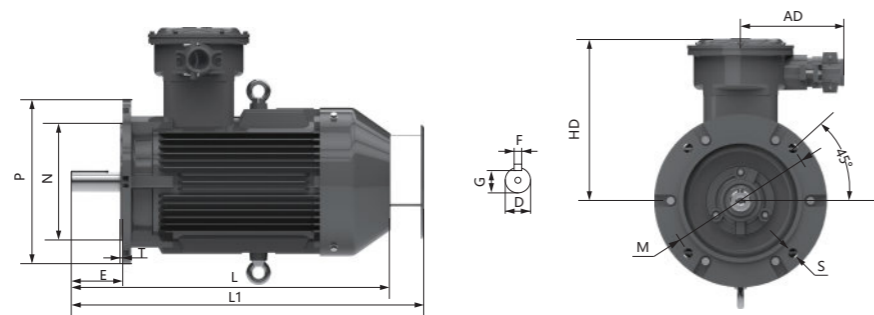
注:1.80-132机座号的L尺寸公差±5,160-355机座号的L尺寸公差±8。
The dimension of 'L' with tolerance ±5 for frame 80-132,tolerance ±8 for frame 160-355.
2.AC及L尺寸为最大外形尺寸,具体规格以确认外形图为准。
AC and L dimensions are the maximum external dimensions, and the details are subject to the confirmed drawings.

▾ B5&V1外形及安装尺寸 *Dimensions Flange Mount B5&V1*

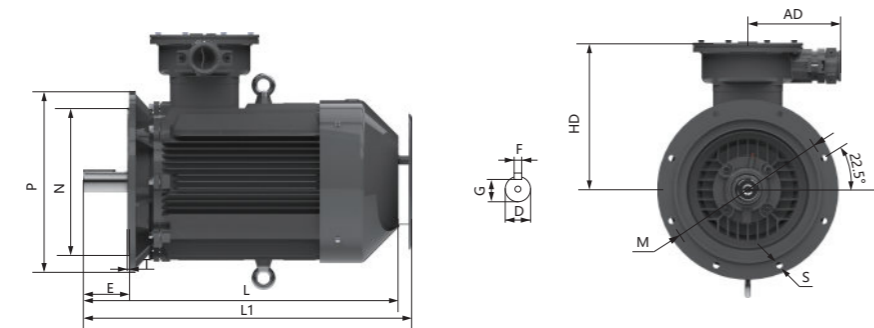
YBX4-80~132



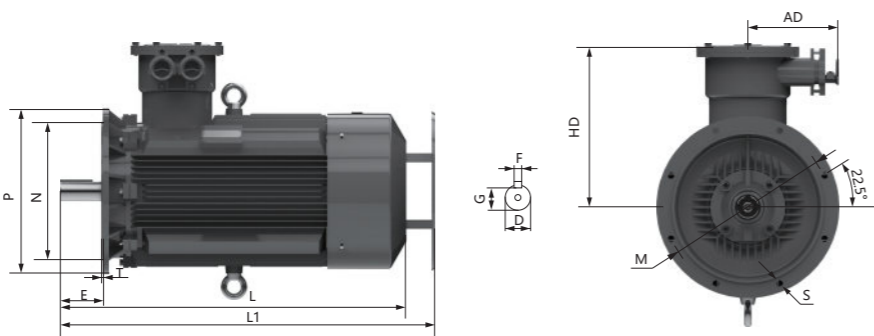
YBX4-160~200



YBX4-225~280



YBX4-315~355



▾ B5&V1外形及安装尺寸 *Dimensions Flange Mount B5&V1*

机座号	极数	AC*	D	AD	E	ED	F	G	GD	LA	M	N	P	S	T	L*(B5)	LM*(V1)
71M	2-6	138	14	178	30	20	5	11	5	10	130	110	160	10	3.5	280	380
80M	2-8	167	19	178	40	22	6	15.5	6	12	165	130	200	12	3.5	340	440
90S	2-8	184	24	178	50	32	8	20	7	12	165	130	200	12	3.5	390	490
90L	2-8	184	24	178	50	32	8	20	7	12	165	130	200	12	3.5	420	520
100L	2-8	207	28	178	60	40	8	24	7	13	215	180	250	15	4	470	570
112M	2-8	221	28	193	60	40	8	24	7	13	215	180	250	15	4	520	620
132S	2-8	260	38	193	80	56	10	33	8	15	265	230	300	15	4	530	630
132M	2-8	260	38	193	80	56	10	33	8	15	265	230	300	15	4	570	670
160M	2-8	315	42	210	110	80	12	37	8	18	300	250	350	19	5	700	800
160L	2-8	315	42	210	110	80	12	37	8	18	300	250	350	19	5	730	830
180M	2-8	356	48	210	110	80	14	42.5	9	18	300	250	350	19	5	790	890
180L	2-8	356	48	210	110	80	14	42.5	9	18	300	250	350	19	5	810	910
200L	2-8	398	55	240	110	90	16	49	10	20	350	300	400	19	5	850	950
225S	4-8	446	60	240	140	100	18	53	11	20	400	350	450	19	5	900	1000
225M	2	446	55	240	110	80	16	49	10	20	400	350	450	19	5	900	1000
225M	4-8	446	60	240	140	100	18	53	11	20	400	350	450	19	5	930	1030
250M	2	495	60	270	140	100	18	53	11	20	500	450	550	19	5	965	1065
250M	4-8	495	65	270	140	100	18	58	11	20	500	450	550	19	5	965	1065
280S	2	550	65	270	140	100	18	58	11	25	500	450	550	19	5	995	1095
280S	4-8	550	75	270	140	100	20	67.5	12	25	500	450	550	19	5	1005	1105
280M	2	550	65	270	140	100	18	58	11	25	500	450	550	19	5	1050	1150
280M	4-8	550	75	270	140	100	20	67.5	12	25	500	450	550	19	5	1060	1160
315S	2	620	65	320	140	100	18	58	11	25	600	550	660	24	6	1190	1290
315M	2	620	65	320	140	100	18	58	11	25	600	550	660	24	6	1310	1410
315L	2	620	65	320	140	100	18	58	11	25	600	550	660	24	6	1310	1410
315S	4-8	620	80	320	170	130	22	71	14	25	600	550	660	24	6	1270	1370
315M	4-8	620	80	320	170	130	22	71	14	25	600	550	660	24	6	1410	1510
315L	4-8	620	80	320	170	130	22	71	14	25	600	550	660	24	6	1410	1510
355M	2	698	75	320	140	110	20	67.5	12	25	740	680	800	24	6	1535	1635
355L	2	698	75	320	140	110	20	67.5	12	25	740	680	800	24	6	1645	1745
355M	4-8	698	95	320	170	140	25	86	14	25	740	680	800	24	6	1565	1665
355L	4-8	698	95	320	170	140	25	86	14	25	740	680	800	24	6	1675	1775
3551、2	2	698	75	320	140	110	20	67.5	12	25	740	680	800	24	6	1645	1745
3551、2	4-8	698	95	320	170	140	25	86	14	25	740	680	800	24	6	1675	1775

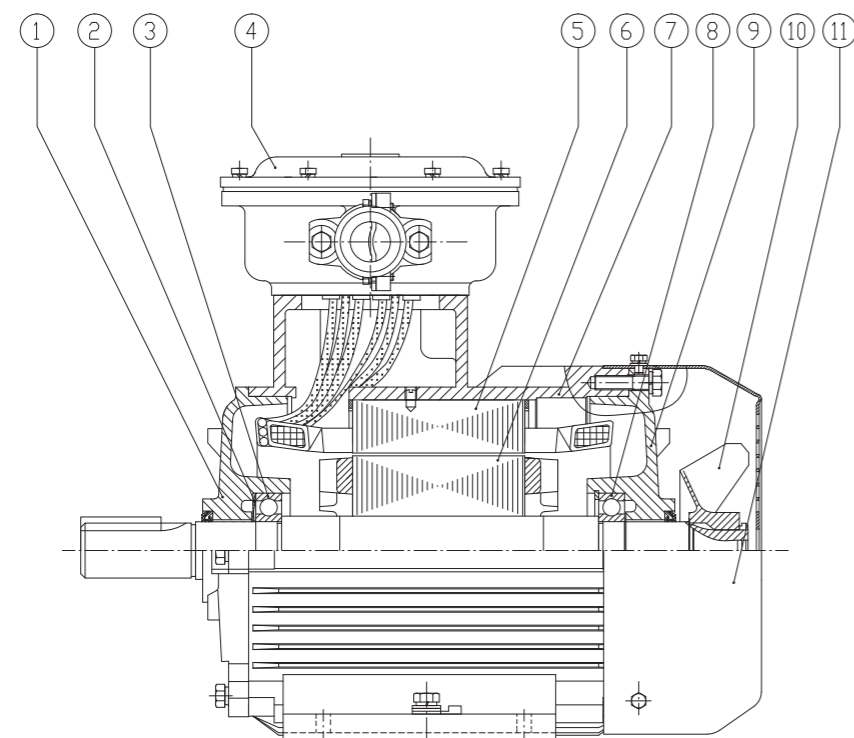
注:1.80-132机座号的L和LM尺寸公差±5,160-355机座号的L和LM尺寸公差±8。
The dimension of 'L' and 'LM' with tolerance ±5 for frame 80-132,tolerance ±8 for frame 160-355.
2.AC及L尺寸为最大外形尺寸, 具体规格以确认外形图为准。
AC and L dimensions are the maximum external dimensions, and the details are subject to the confirmed drawings.

▶ 装配图及零部件明细表 Arrangement And Parts List

YBX4 80~132FRAME

零部件名称		Parts Description
1	驱动端端盖	Endshield D.E.
2	波形弹簧	Wave washer
3	驱动端轴承	Bearing D.E.
4	接线盒	Terminal box
5	定子铁芯	Stator lamination pack
6	转子铁芯	Rotor lamination pack
7	机座	Frame
8	非驱动端轴承	Bearing N.D.E.
9	非驱动端端盖	Endshield N.D.E.
10	风扇	Fan
11	风罩	Fan cowl

基本结构说明		Specifications standard construction
铸铁机座和接线盒	Cast iron frame,terminal box.	
钢板冲压风罩	Pressed steel fan cowl.	
铸铁端盖	Cast iron endshields.	
聚丙烯玻璃纤维风扇	Polypropylene,glass reinforced fan.	
电机专用轴承	Equivalent bearings.	
特性		Features
电机尺寸和额定功率符合IEC60072	Dimensions and ratings to IEC60072	
GB/T4772.1-4772.3	GB/T4772.1-4772.3	
IP55	IP55	
接线盒在上面	Top mounted terminal box.	
接线盒可90°旋转	Terminalbox rotates in 90 deg	
冷却方式IC411	Cooling IC411	
安装		Mounting
B3-卧式底脚安装	B3-foot mounted	
B5-卧式凸缘安装	B5-flange mounted-horizontal.	
B35-底脚凸缘安装	B35-foot And flange mounted	
V1-立式凸缘安装	V1-flang mounted-vertical	

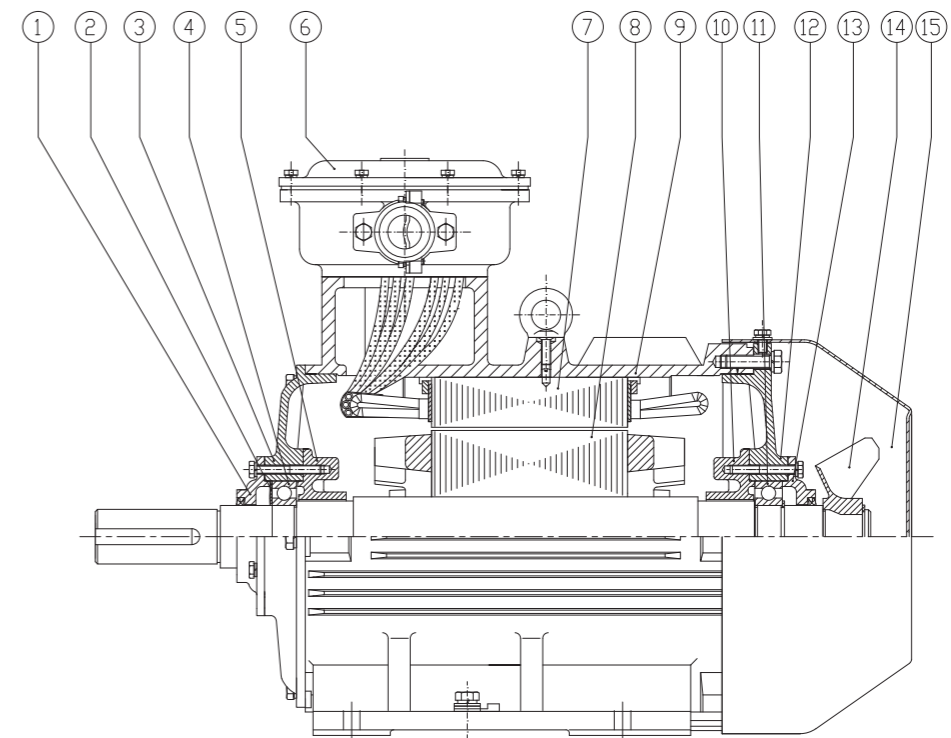


▶ 装配图及零部件明细表 Arrangement And Parts List

YBX4 160~280FRAME

零部件名称		Parts Description
1	驱动端轴承外盖	Outer bearing cap D.E.
2	波形弹簧	Wave washer
3	驱动端端盖	Endshield D.E.
4	驱动端轴承	Bearing D.E.
5	驱动端轴承内盖	Inner bearing cap D.E.
6	接线盒	Terminal box
7	定子铁芯	Stator lamination pack
8	转子铁芯	Rotor lamination pack
9	机座	Frame
10	非驱动端轴承内盖	Inner bearing cap N.D.E.
11	非驱动端轴承	Bearing N.D.E.
12	非驱动端端盖	Endshield N.D.E.
13	非驱动端轴承外盖	Outer bearing cap N.D.E.
14	风扇	Fan
15	风罩	Fan cowl

基本结构说明		Specifications standard construction
铸铁机座和接线盒	Cast iron frame,terminal box.	
钢板冲压风罩	Pressed steel fan cowl.	
铸铁端盖	Cast iron endshields.	
聚丙烯玻璃纤维风扇	Polypropylene,glass reinforced fan.	
电机专用轴承	Equivalent bearings.	
特性		Features
电机尺寸和额定功率符合IEC60072	Dimensions and ratings to IEC60072	
GB/T4772.1-4772.3	GB/T4772.1-4772.3	
IP55	IP55	
接线盒在上面	Top mounted terminal box.	
接线盒可90°旋转	Terminalbox rotates in 90 deg	
冷却方式IC411	Cooling IC411	
安装		Mounting
B3-卧式底脚安装	B3-foot mounted	
B5-卧式凸缘安装	B5-flange mounted-horizontal.	
B35-底脚凸缘安装	B35-foot And flange mounted	
V1-立式凸缘安装	V1-flang mounted-vertical	

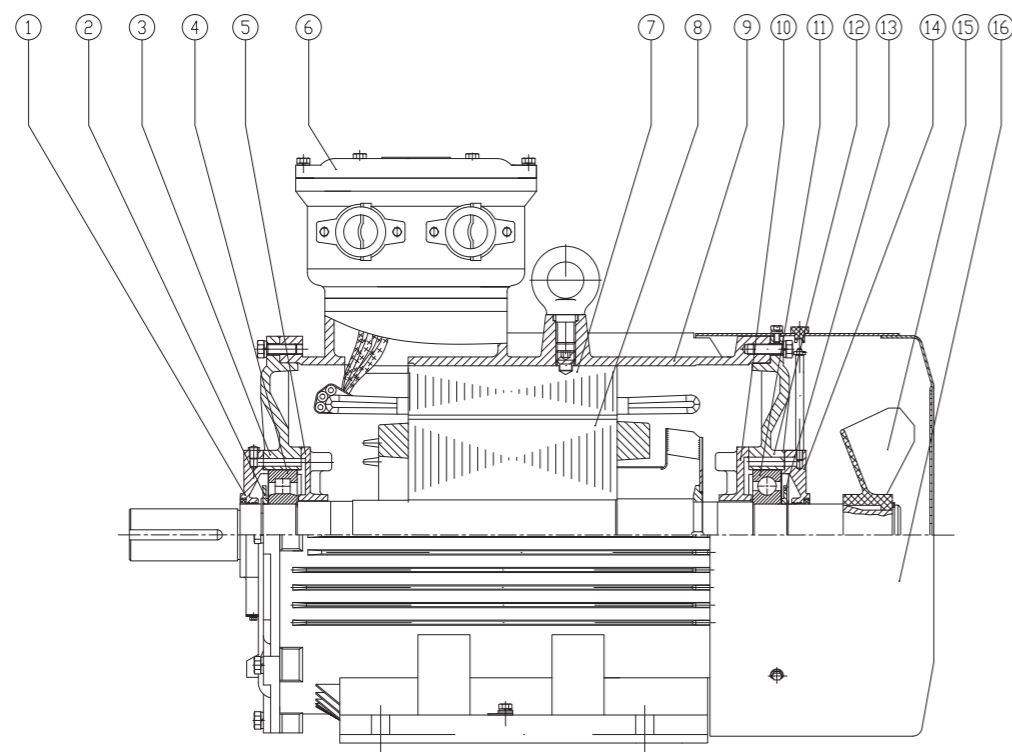


装配图及零部件明细表 Arrangement And Parts List

YBX4 315~355FRAME

零部件名称 Parts Description		
1	驱动端轴承外盖	Outer bearing cap D.E.
2	驱动端甩油盘	Flinger D.E.
3	驱动端端盖	Endshield D.E
4	驱动端轴承	Bearing D.E.
5	驱动端轴承内盖	Inner bearing cap D.E.
6	接线盒	Terminal box
7	定子铁芯	Stator lamination pack.
8	转子铁芯	Rotor lamination pack.
9	机座	Frame
10	非驱动端轴承内盖	Inner bearing cap N.D.E.
11	非驱动端轴承	Bearing N.D.E.
12	非驱动端端盖	Endshield N.D.E.
13	非驱动端甩油盘	Flinger N.D.E.
14	非驱动端轴承外盖	Outer bearing cap N.D.E.
15	风扇	Fan
16	风罩	Fan cowl

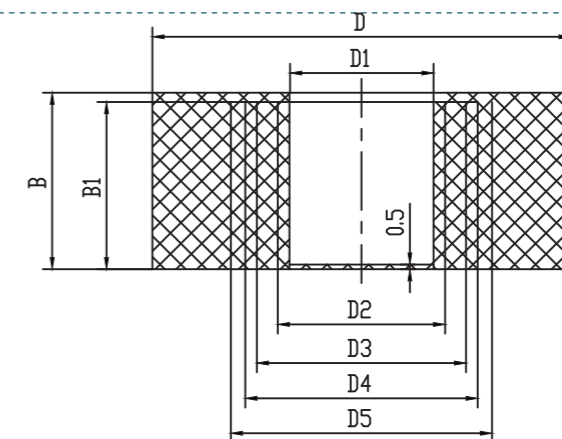
基本结构说明 Specifications standard construction	
铸铁机座和接线盒	Cast iron frame,terminal box.
钢板冲压风罩	Pressed steel fan cowl.
铸铁端盖	Cast iron endshields.
聚丙烯玻璃纤维风扇	Polypropylene,glass reinforced fan.
电机专用轴承	Equivalent bearings.
特性 Features	
电机尺寸和额定功率符合IEC60072	Dimensions and ratings to IEC60072
GB/T4772.1-4772.3	GB/T4772.1-4772.3
IP55	IP55
接线盒在上面	Top mounted terminal box.
接线盒可90°旋转	Terminalbox rotates in 90 deg
冷却方式IC411	Cooling IC411
安装 Mounting	
B3-卧式底脚安装	B3-foot mounted
B35-底脚凸缘安装	B35-foot And flange mounted
V1-立式凸缘安装	V1-flang mounted-vertical



防护等级 Degrees of Protection(IEC 60034-5)

符号 Designation	第一位数字 First numeral	第二位数字 Second numeral
	防止固体异物进入内部及防止人体触及内部的带电或运动部分。 Protection against contact and ingree of foreign bodies, protection against hazardous" live" parts and moving mechanical parts.	防护水 Protection against water
	5.虽不能完全防止灰尘进入,但进尘量不足以影响电机正常运行。能防止触及或接近壳内带电或转动部分。 Ingree of dust is not totally prevented, but dust shall not interfere with the satisfactory operation of equipment. A probe of 1mm diameter shall not penetrate the enclosure.	5.任何方向的喷水对电机应无有害的影响。 Water projected in jets against the enclosure from any direction will have no harmful effects.
	6.完全防止灰尘进入机壳。 No ingress of dust.	6.强力喷水时电机应无有害影响。 Water projected in power jets shall have no harmful effects.
IP55	防尘 Dust protected	防喷水 Jetting water
IP56	防尘 Dust protected	防强力喷水 Powerful Jetting
IP65	尘密 Dust tight	防喷水 Jetting water
IP66	尘密 Dust tight	防强力喷水 Powerful Jetting

密封圈尺寸 Size of sealing ring (适用于隔爆型电动机 YB3、YBX3、YBBP、YBK3)



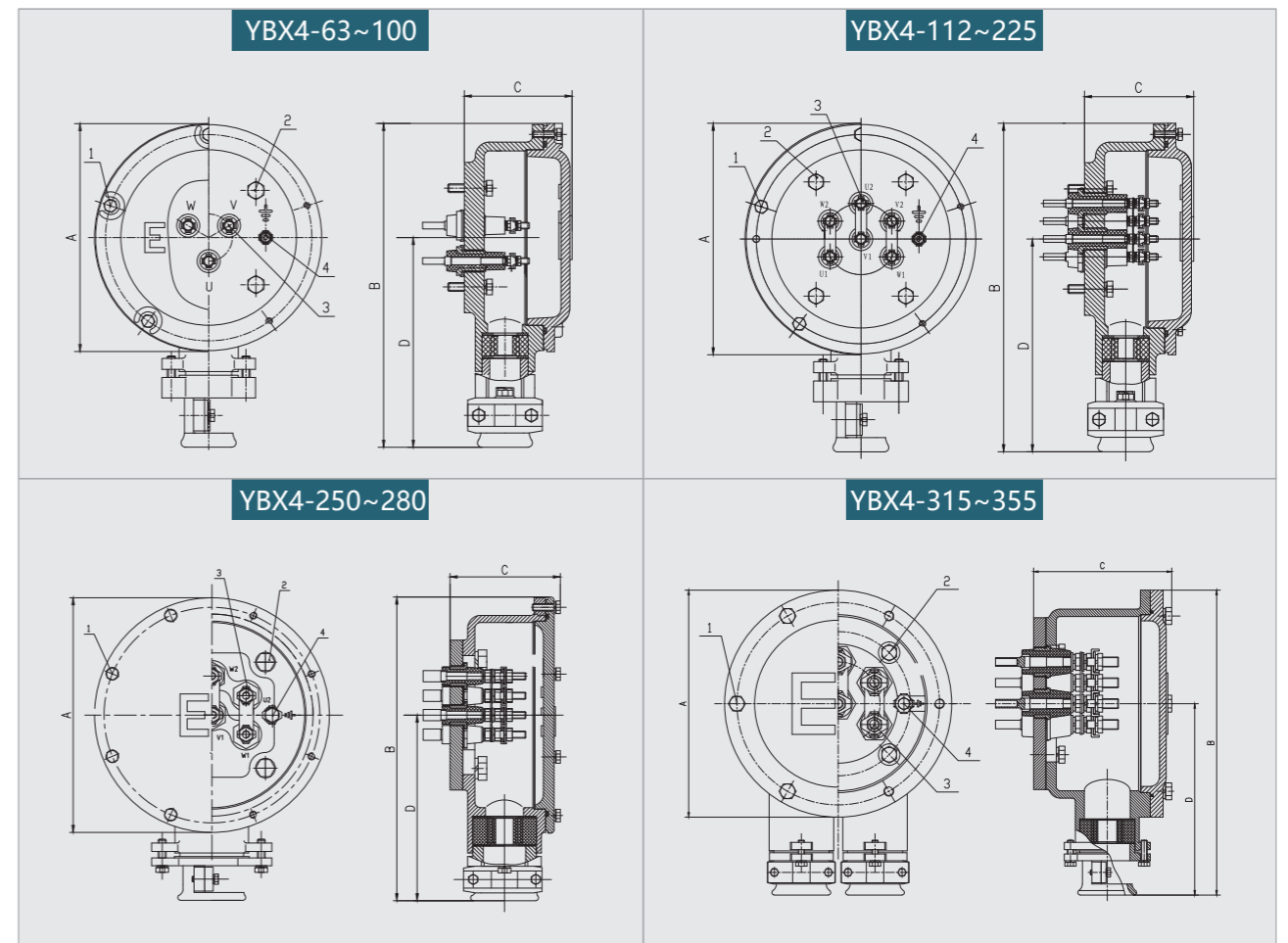
机座号	尺寸							
	D1	D2	D3	D4	D5	D	B1	B
80-132	φ14	φ20	φ25			φ42	24	26
160-180	φ14	φ20	φ26	φ31	φ35	φ58	24	26
200-225	φ20	φ26	φ32	φ38	φ42	φ72	30	32
250-355	φ25	φ31	φ36	φ45	φ50	φ90	36	38

说明：机座号为 315、355 电机有两个出线口。

安装型式 Mounting Arrangements

卧式底脚安装 Foot mig horiz	凸缘安装 Flange mig	底脚凸缘安装 Foot/Flange mig	立式底脚安装 Foot mig vert
B3 IM1001 H80 ~ 355	B5 IM3001 H80 ~ 280	B35 IM2001 H80 ~ 355	
B6 IM1051 H80 ~ 160	V1 IM3011 H80 ~ 355	V15 IM2011 H80 ~ 160	V5 IM1011 H80 ~ 160
B7 IM1061 H80 ~ 160	V3 IM3031 H80 ~ 160	V36 IM2031 H80 ~ 160	V6 IM1031 H80 ~ 160
B8 IM1071 H80 ~ 160			

上出线接线盒 Top Terminal Box



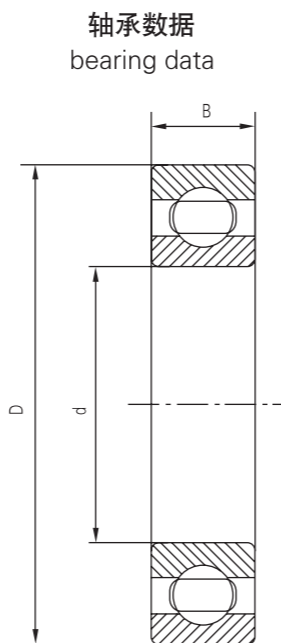
接线指示图 鼠笼式三相电动机 Connection Diagrams Three phase motors with cage rotor

Y接 Star Connection	△接 Delta Connection	Y-△启动连接 Star-Delta Connection

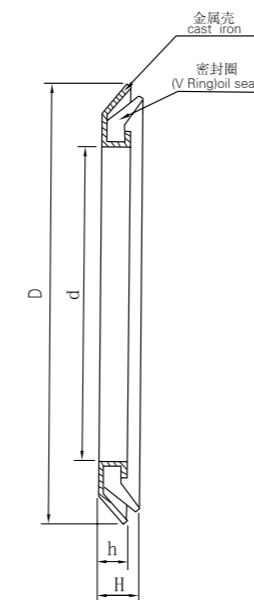
机座号 Frame	A	B	C	D	1	2	3	4	钢管布线尺寸	接线盒规格
YBX4-63-100	Φ170	268	90	178	M6x25	M8x35	M5	M5	M30x2	M5小
YBX4-112-132	Φ210	295	106	195	M6x25	M8x35	M5	M5	M30x2	M5
YBX4-160-180	Φ220	345	115	235	M6x25	M10x40	M6	M6	M36x2	M6
YBX4-200-225	Φ260	372	120	242	M8x25	M12x40	M8	M8	M48x2	M8
YBX4-250-280	Φ335	451	155	284	M10x35	M16x55	M10	M10	M64x2	M10
YBX4-315-355	Φ370	515	220	330	M16x45	M16x65	M16	M12	2xM64x2	M16

轴承、密封和润滑 Bearing、Seal & Lubrication

电机型号 Motor type	轴伸端 DE	非轴伸端 NDE	d	D	B	d	D	B
YBX4-63	6201ZZ	6201ZZ	12	32	10	12	32	10
YBX4-71	6202ZZ	6202ZZ	15	35	11	15	35	11
YBX4-80	6204ZZ	6204ZZ	20	47	14	20	47	14
YBX4-90	6205ZZ	6205ZZ	25	52	15	25	52	15
YBX4-100	6206ZZ	6206ZZ	30	62	16	30	62	16
YBX4-112	6206ZZ	6206ZZ	30	62	16	30	62	16
YBX4-132	6208ZZ	6208ZZ	40	80	18	40	80	18
YBX4-160 2P	6209	6209	45	85	19	45	85	19
YBX4-160 4-8P	6309	6209	45	100	25	45	85	19
YBX4-180 2P	6211	6211	55	100	21	55	100	21
YBX4-180 4-8P	6311	6211	55	120	29	55	100	21
YBX4-200 2P	6212	6212	60	110	22	60	110	22
YBX4-200 4-8P	6312	6212	60	130	31	60	110	22
YBX4-225 2P	6312	6312	60	130	31	60	130	31
YBX4-225 4-8P	6313	6312	65	140	33	60	130	31
YBX4-250 2P	6313	6313	65	140	33	65	140	33
YBX4-250 4-8P	6314	6313	70	150	35	65	140	33
YBX4-280 2P	6314	6314	70	150	35	70	150	35
YBX4-280 4-8P	6317	6314	85	180	41	70	150	35
YBX4-315 2P	6316	6316	80	170	39	80	170	39
YBX4-315 4-8P	6319	6319	95	200	45	95	200	45
YBX4-355 2P (B3,B35)	6319	6319	95	200	45	95	200	45
YBX4-355 2P(V1)	6319	7319	95	200	45	95	200	45
YBX4-355 4-8P (B3,B35)	6322	6322	110	240	50	110	240	50
YBX4-355 4-8P(V1)	6322	7322	110	240	50	110	240	50

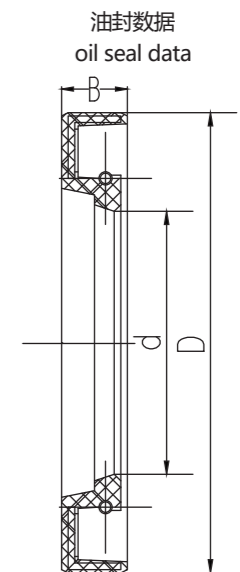


电机型号 Motor type	油封规格 Oil seal size	d	D	h	H	油封规格 Oil seal size	d	D	h	H
YBX4-80	RB20x35x4.0	Φ20	Φ35	3	6	RB20x35x4.0	Φ20	Φ35	3	6
YBX4-90	RB25x40x4.0	Φ25	Φ40	3	6	RB25x40x4.0	Φ25	Φ40	3	6
YBX4-100	RB30x47x4.5	Φ30	Φ47	3.5	6.5	RB30x47x4.5	Φ30	Φ47	3.5	6.5
YBX4-112	RB30x47x4.5	Φ30	Φ47	3.5	6.5	RB30x47x4.5	Φ30	Φ47	3.5	6.5
YBX4-132	RB40x57x4.5	Φ40	Φ57	3.5	6.5	RB40x57x4.5	Φ40	Φ57	3.5	6.5
YBX4-160 2P	RB45x62x4.5	Φ45	Φ62	3.5	6.5	RB45x62x4.5	Φ45	Φ62	3.5	6.5
YBX4-160 4-8P	RB45x62x4.5	Φ45	Φ62	3.5	6.5	RB45x62x4.5	Φ45	Φ62	3.5	6.5
YBX4-180 2P	RB55x75x5.5	Φ55	Φ75	4.5	6.5	RB55x75x5.5	Φ55	Φ75	4.5	6.5
YBX4-180 4-8P	RB55x75x5.5	Φ55	Φ75	4.5	6.5	RB55x75x5.5	Φ55	Φ75	4.5	6.5
YBX4-200 2P	RB60x80x5.5	Φ60	Φ80	4.5	6.5	RB60x80x5.5	Φ60	Φ80	4.5	6.5
YBX4-200 4-8P	RB60x80x5.5	Φ60	Φ80	4.5	6.5	RB60x80x5.5	Φ60	Φ80	4.5	6.5
YBX4-225 2P	RB60x80x5.5	Φ60	Φ80	4.5	6.5	RB60x80x5.5	Φ60	Φ80	4.5	6.5
YBX4-225 4-8P	RB65x85x5.5	Φ65	Φ85	4.5	8	RB60x80x5.5	Φ60	Φ80	4.5	6.5
YBX4-250 2P	RB65x85x5.5	Φ65	Φ85	4.5	8	RB65x85x5.5	Φ65	Φ85	4.5	8
YBX4-250 4-8P	RB70x90x5.5	Φ70	Φ90	4.5	8	RB65x85x5.5	Φ65	Φ85	4.5	8
YBX4-280 2P	RB70x90x5.5	Φ70	Φ90	4.5	8	RB70x90x5.5	Φ70	Φ90	4.5	8
YBX4-280 4-8P	RB85x105x5.5	Φ85	Φ105	4.5	8	RB70x90x5.5	Φ70	Φ90	4.5	8
YBX4-315 2P	RB80x100x5.5	Φ80	Φ100	4.5	8	RB80x100x5.5	Φ80	Φ100	4.5	8
YBX4-315 4-8P	RB95x115x5.5	Φ95	Φ115	4.5	8	RB95x115x5.5	Φ95	Φ115	4.5	8
YBX4-355 2P	RB95x115x5.5	Φ95	Φ115	4.5	8	RB95x115x5.5	Φ95	Φ115	4.5	8
YBX4-355 4-8P	RB110x130x5.5	Φ110	Φ130	4.5	8	RB110x130x5.5	Φ110	Φ130	4.5	8



轴承、密封和润滑 Bearing、Seal & Lubrication

电机型号 Motor type	驱动端 (D.E.)			非驱动端 (N.D.E.)		
	d	D	B	d	D	B
YBX4-63	12	24	5	12	24	5
YBX4-71	15	30	5	15	30	5
YBX4-80	20	40	7	20	40	7
YBX4-90	25	47	7	25	47	7
YBX4-100	30	52	7	30	52	7
YBX4-112	30	52	7	30	52	7
YBX4-132	40	62	5	40	62	5
YBX4-160	45	65	8	45	65	8
YBX4-180	55	72	8	55	72	8
YBX4-200	60	80	8	60	80	8
YBX4-225 2P	60	80	8	60	80	8
YBX4-225 4-8P	65	85	10	65	85	10
YBX4-250-2	65	90	10	65	90	10
YBX4-250-4.6.8	70	95	10	65	90	10
YBX4-280-2	70	95	10	70	95	10
YBX4-280-4.6.8	85	110	12	70	95	10
YBX4-315-2	80	100	10	80	100	10
YBX4-315-4.6.8	95	120	12	95	120	12
YBX4-355-2	95	120	12	95	120	12
YBX4-355-4.6.8	110	140	12	110	140	12



- 电机配备了优质供应商制造的轴承，轴承采用C3游隙。
Motors are equipped with bearings from excellent manufacturers. In general the bearings have C3 clearances.
- 80~132机座号电动机装有封闭轴承。
Motors of frame sizes 80-132 are fitted with closed bearings.
- 160~355机座号电动机装有开放式轴承并带有注油装置。开放式轴承必须依据润滑脂的有效寿命按时加油，以使轴承达到预期寿命。
Motors of frame sizes 160-355 are fitted with open bearings and regreasing device. Depending on the useful life of grease, open bearings must be regreased in good time so that the scheduled bearing service life is reached.

电机型号 Motor type	轴伸端轴承 DE Bearing	非轴伸端轴承 NDE Bearing	添加润滑脂的期限 (运行小时数, 70°C以下) Regreasing period hours for operating temperatures up to 70°C			轴承室所需润滑脂用量 Quantity of grease in bearing chamber
			n<3600r/min	n<1800r/min	n<1200r/min	
YBX4-160 2P	6209	6209	6000	-	-	13
YBX4-160 4-8P	6309	6209	-	10000	16000	13
YBX4-180 2P	6211	6211	4000	-	-	15
YBX4-180 4-8P	6311	6211	-	9000	14000	15
YBX4-200 2P	6212	6212	3500	-	-	20
YBX4-200 4-8P	6312	6212	-	6500	11000	20
YBX4-225 2P	6312	6312	3000	-	-	22
YBX4-225 4-8P	6313	6312	-	5500	8000	23
YBX4-250 2P	6313	6313	3000	-	-	22
YBX4-250 4-8P	6314	6313	-	5000/5500	8000/8500	23/22
YBX4-280 2P	6314	6314	1200	-	-	30
YBX4-280 4-8P	6317	6314	-	4000/5000	6000/8000	35/23
YBX4-315 2P	6316	6316	1200	-	-	30
YBX4-315 4-8P	6319	6319	-	2000	3000	45
YBX4-355 2P (B3,B35)	6319	6319	1200	-	-	30
YBX4-355 2P (V1)	6319	7319	1200	-	-	30
YBX4-355 4-8P (B3,B35)	6322	6322	-	1400	2200	60
YBX4-355 4-8P(V1)	6322	7322	-	1400	2200	60

- 注：1. 立式电动机添加润滑脂的时间应该是上述卧式电动机时间的一半。
Vertical motors should be greased twice as often as horizontal motors.
2. 当轴承运行温度超过70°C时，重新添加润滑脂的时间应该缩短。
Regreasing time should be reduced if bearing operating temperature is in excess of 70°C.

主要产品介绍 Main Product Introduction

YE3系列三相异步电动机 (H80-355)	YE3 Series 3-Phase Asynchronous Motor
YE4系列三相异步电动机 (H80-355)	YE4 Series 3-Phase Asynchronous Motor
YE5系列三相异步电动机 (H80-355)	YE5 Series 3-Phase Asynchronous Motor
YE3系列高温消防排烟风机专用电机 (H80-355)	YE3 Series Special Motor for Smoke and Heat Exhaust Ventilators
Y-H系列船用三相异步电动机 (H63-355)	Y-H Series 3-Phase Asynchronous Motor In Ships
YD系列变极多速三相异步电动机 (H80-315)	YD Series 3-Phase Multi-Speed Motor
YDT系列通风机用多速三相异步电动机 (H80-315)	YDT Series Ventilator used 3-Phase Multi-Speed Motor
YVF2系列变频调速三相异步电动机 (H80-355)	YVF2 Series Frequency Control 3-Phase Asynchronous Motor
YH系列高转差率三相异步电动机 (H80-315)	YH Series High Slip 3-Phase Asynchronous Motor
Y-W系列户外型三相异步电动机 (H80-355)	Y-W Series Outdoor used 3-Phase Asynchronous Motor
YT系列轴流式通风机用三相异步电动机 (H80-132)	YT Series Ventilator used 3-Phase Asynchronous Motor
1L(IP23)系列三相异步电动机(H160-355)	1L(IP23) Series 3-Phase Asynchronous Motor
Y(IP23)系列三相异步电动机 (H400-500)	Y(IP23) Series 3-Phase Asynchronous Motor
YZS系列起重用三相异步电动机 (H160-225)	YZS Series Crane 3-Phase Asynchronous Motor
YEJ系列电磁制动三相异步电动机 (H80-225)	YEJ Series Electromagnetic Braking 3-Phase Asynchronous Motor
YBK3系列煤矿井下用隔爆型三相异步电动机(H80-355)	YBK3 Series Flameproof 3-Phase Asynchronous Motor for Coal Mines
HM3系列三相异步电动机 (H80-355)	HM3 Series 3-Phase Asynchronous Motor
HM4系列三相异步电动机 (H80-355)	HM4 Series 3-Phase Asynchronous Motor
YB2-H、YB3-H系列船用隔爆型三相异步电动机(H80-355)	YB2-H、YB3-H Series Flameproof 3-Phase Asynchronous Motor For Ships
YBBP系列隔爆型变频调速三相异步电动机(H80-355)	YBBP Series Flameproof Frequency Control 3-Phase Asynchronous Motor
YBX3系列高效率隔爆型三相异步电动机(H80-355)	YBX3 Series High Efficiency Flameproof 3-Phase Asynchronous Motor
YBX4系列高效率隔爆型三相异步电动机(H80-355)	YBX4 Series High Efficiency Flameproof 3-Phase Asynchronous Motor
YBX5系列高效率隔爆型三相异步电动机(H80-355)	YBX5 Series High Efficiency Flameproof 3-Phase Asynchronous Motor
YFB3系列粉尘防爆型三相异步电动机(H80-355)	YFB3 Series Dust Explosion-Proof 3-Phase Asynchronous Motor
YFB4系列粉尘防爆型三相异步电动机(H80-355)	YFB4 Series Dust Explosion-Proof 3-Phase Asynchronous Motor
YFB5系列粉尘防爆型三相异步电动机(H80-355)	YFB5 Series Dust Explosion-Proof 3-Phase Asynchronous Motor
Y3系列三相异步电动机 (H355-450)	Y3 Series 3-Phase Asynchronous Motor
Y系列高压三相异步电动机 (H355-800)	Y Series High-Voltage 3-Phase Asynchronous Motor
YKK系列高压三相异步电动机 (H355-800)	YKK Series High-Voltage 3-Phase Asynchronous Motor
Y2系列高压三相异步电动机 (H355-560)	Y2 Series High-Voltage 3-Phase Asynchronous Motor
YX系列高效高压三相异步电动机 (6KV, H355-630)	YX Series High Efficiency High-Voltage 3-Phase Asynchronous Motor
YX系列高效高压三相异步电动机 (10KV, H400-630)	YX Series High Efficiency High-Voltage 3-Phase Asynchronous Motor
YR系列高压绕线转子三相异步电动机 (H355-1000)	YR Series High-Voltage 3-Phase Wound Rotor Asynchronous Motor
YRKK系列高压绕线转子三相异步电动机 (H355-1000)	YRKK Series High-Voltage 3-Phase Wound Rotor Asynchronous Motor
YFSS系列双馈异步风力发电机 (H450-630)	YFSS Series Doubly Fed Induction Windmill Generator
YFWK系列双馈异步风力发电机 (H500)	YFWK Series Doubly Fed Induction Windmill Generator

客户合作 Cooperative Partner

