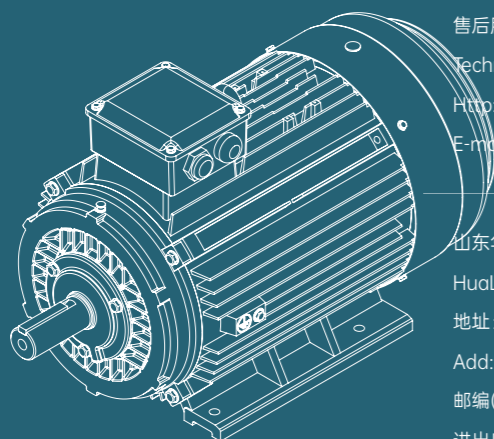
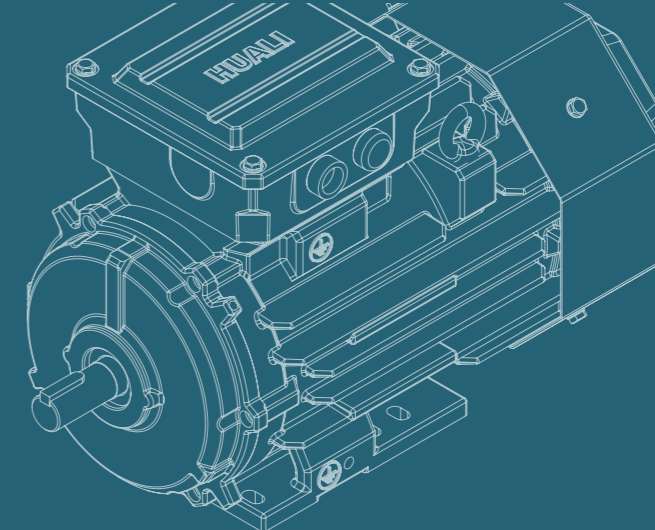
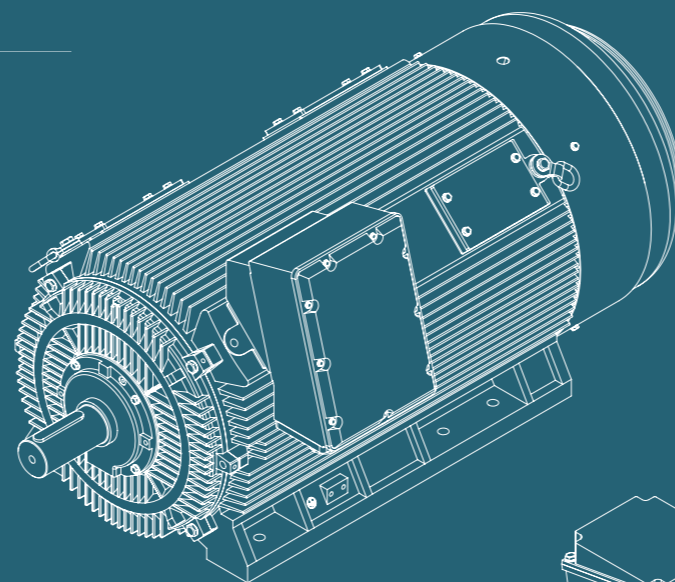
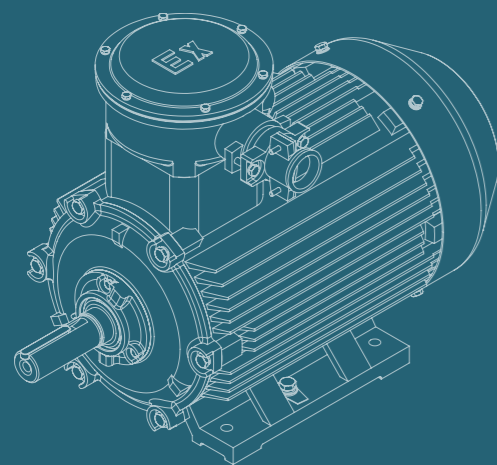
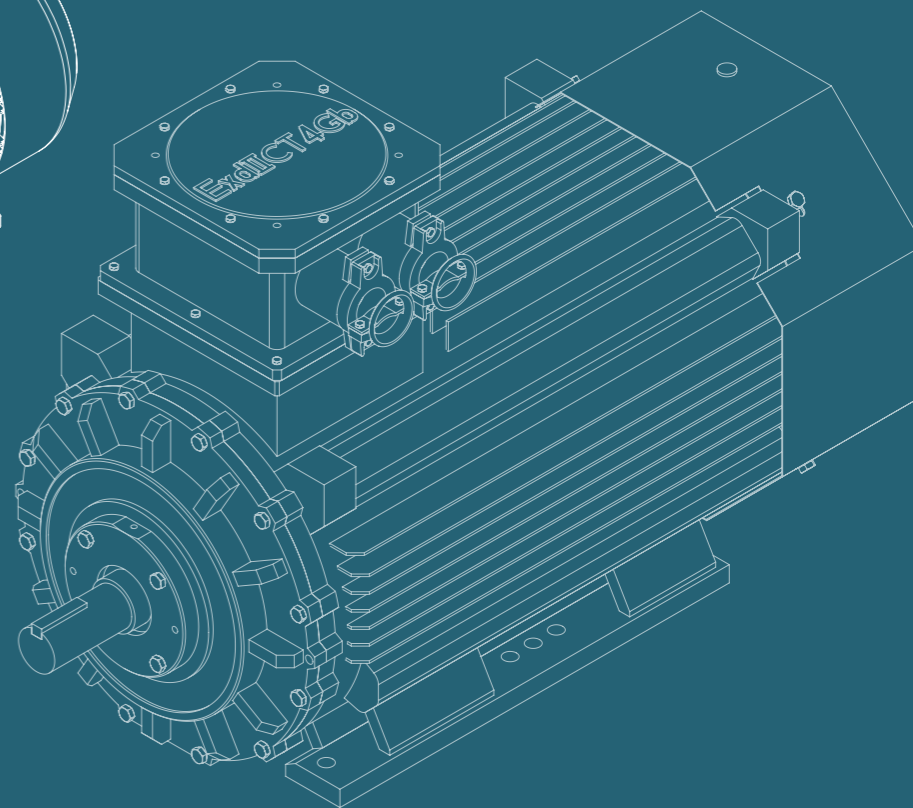
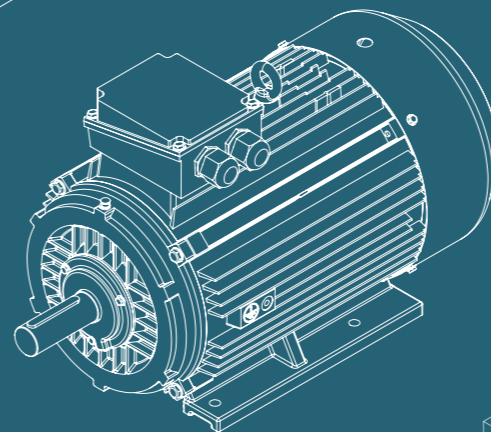


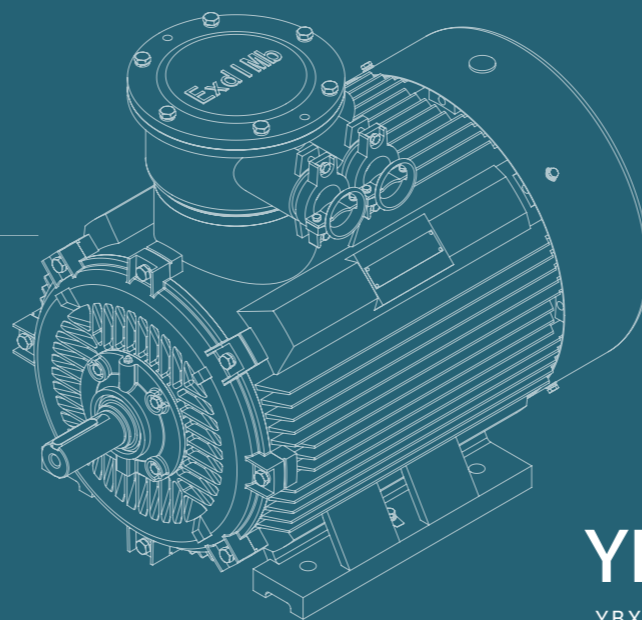
山东华力电机集团股份有限公司
 Shan Dong HuaLi Electric Motor Group CO.,LTD.
 地址: 山东省荣成市荣昌路9号
 Add:No.9 Rongchang Road,Rongcheng,Shandong
 邮编(P.C.):264300
 办公室(Office):0631-7551153
 经营计划部(Tel): 0631-7551307
 Sales Dept(Tel): 0631-7551307
 传真(Fax): 0631-7553744
 产品开发部(总部): 0631-7587026 7587027
 Department of Technology: 0631-7587026 7587027
 售后服务部: 0631-7555999
 Technical Service(Tel):0631-7555999
 Http://www.hualimotor.com.cn
 E-mail:info@hualimotor.com.cn



山东华力电机集团荣成工业新区
 HuaLi Group Rongcheng New Industry District
 地址: 山东省荣成市富源南路89号
 Add:No.89 Fu Yuan South Road,Rongcheng,Shandong
 邮编(P.C.):264300
 进出口部(Tel): 0631-7551302
 传真(Fax): 0631-7581937
 Import & Export Dept (Tel): 0631-7551302
 产品开发部(园区): 0631-7527221
 Department of Technology: 0631-7527221



山东华力电机集团苏州制造有限公司
 Shan Dong HuaLi Electric Motor Suzhou Manufacture CO.,LTD.
 地址: 江苏省苏州市新区泰山路188号
 Add:No.188, Taishan Road, Suzhou City, Jiangsu
 邮编(P.C.):215011
 办公室(Office): 0512-88186811
 传真(Fax): 0512-88186810
 经营计划部: 0512-88186833
 Sales Dept(Tel): 0512-88186833
 传真(Fax): 0512-88186832
 开发部(Tel): 0512-88186834
 Department of Technology:0512-88186834



YBX5系列高效率隔爆型三相异步电动机

YBX5 SERIES HIGH-EFFICIENCY FLAMEPROOF 3-PHASE ASYNCHRONOUS MOTOR

订货须知 Ordering instruction:
 本样本仅供用户参考, 具体数据内容可能会有变动, 订货请惠于联系。
 This catalogue is only a reference for users. The date may be changed, please contact us before ordering.
 订货时请详细说明产品型号, 额定功率, 同步转速, 电压及频率, 绝缘等级, 安装结构型式等。
 Please type rated output, synchronous speed, voltage and frequency, insulation class, mounting type etc, when ordering.
 如有特殊要求, 经双方协议后, 还可供应其它特殊规格电机。
 For special requirement, please contact us, we may supply special type of motor.

2023年9月



山东华力电机集团股份有限公司
 SHANDONG HUALI ELECTRIC MOTOR GROUP CO.,LTD.

山东·荣成

销售地区分布图

Sales Area Distribution Map



总公司地理位置图

Company Location Map



目录

CATALOGUE

01

企业简介

INTRODUCTION

03

产品概述

PRODUCT INTRODUCTION

04

详细说明

SPECIFICATION

05

技术数据

TECHNICAL DATA- 2极

06

技术数据

TECHNICAL DATA- 4极

07

技术数据

TECHNICAL DATA- 6极

08

技术数据

TECHNICAL DATA- 8极

09

B3外形及安装尺寸

DIMENSIONS FOOT MOUNT B3

11

B35外形及安装尺寸

DIMENSIONS FOOT-FLANGE MOUNT B35

13

B5&V1外形及安装尺寸

DIMENSIONS FLANGE MOUNT B5&V1

15

装配图及零部件明细表

ARRANGEMENT AND PARTS LIST

18

防护等级

DEGRESS OF PROTECTION

18

密封圈尺寸

SIZE OF SEALING RING

19

安装型式

MOUNTING ARRANGEMENTS

19

接线指示图鼠笼式三相电动机

CONNECTION DIAGRAMS THREE PHASE MOTORS WITH CAGE ROTOR

20

上出线接线盒

TOP TERMINAL BOX

21

轴承、密封和润滑

BEARING, SEAL & LUBRICATION

23

主要产品介绍

MAIN PRODUCT INTRODUCTION

24

客户合作

COOPERATIVE PARTNER

企业简介 Introduction

山东华力电机集团股份有限公司创立于1970年，经过持续稳步发展，已成为集科研、生产、营销、服务于一体的现代化企业集团。公司下辖荣成崂山工业区、荣成工业新区及苏州工业新区三处制造企业，年生产能力120万台、2000万KW，是全球电机行业具有规模和实力的制造企业之一。

华力集团技术力量雄厚，建有山东省企业技术中心、山东省稀土永磁电机工程技术研究中心，构建起以低压电机为支撑，高压、低压大功率、特种电机为发展方向的产品格局。产品涵盖了YE5系列、YE4系列、YE3系列、HM4系列、HM3系列、YBX5系列、YBX4系列、YBX3系列、YFB5系列、YFB4系列、YFB3系列、YBK3系列、YBBP系列、YB3系列、YVF3系列、YVF2系列、YVF系列、YKK系列、YKS系列等(通用、防爆、船用、起重、冶金、变频、高压、风力发电、轨道交通等)50多个系列20000多个规格，是全球品种、规格齐全的电机制造厂家之一。公司拥有先进的生产检测设备，建立起完善的质量、环境管理体系，通过了ISO9001、ISO14001、CCC、CQC、CE、UL等多项认证认可。

公司坚持“占科技高点、拓全球市场”的发展战略，构筑起国内国际两大市场板块。在全国50多个大中城市建立起仓储式销售分公司，形成了快捷、高效的市场营销和服务网络，产品同时销往欧洲、亚洲、非洲、美洲等40多个国家和地区。企业规模及综合经济效益位居全球电机行业前列。

创新的理念，先进的技术，优良的品质，优质的服务和华力人团结奋进的精神，凝聚成企业不断成长和发展的动力。“创百年华力，树世界品牌”的企业目标正在努力实现!

Since its founding in 1970, through sustained and steady development, it is now a modern enterprise with its own production, distribution, R&D and customer service teams. Huali has built three manufacturing enterprises: Rrongcheng Laoshan Industrial Area, Rongcheng Industrial New Area and Suzhou Industrial Area. The annual production capacity is 1.2 million motors(20 million KW),Huali is one of the manufacturing enterprises of global motor industry with scale and strength.

Huali group has strong technical force, established Shandong enterprise technology center and Shandong province rare earth permanent magnet motor engineering technology research center, Build a product pattern with low-voltage motor as support, high-voltage, low-voltage high-power and special motor as development direction. Our products includes about 20000 varieties types in more than 50 major series. such as, YE5、YE4、YE3、HM4、HM3、YBX5、YBX4、YBX3、YFB5、YFB4、YFB3、YBK3、YBBP、YB3、YVF3、YVF2、YVF、YKK、YKS(General, Explosion Proof, Marine, Lifting, Metallurgy, Frequency, Conversion High Voltage, Wind power generation ,Rail Transit etc).It is one of the motor manufacturers of the global varieties and complete specifications. Our company has advanced production testing equipment, Establish a sound quality and environmental management system. We have passed a number of accreditation such as:ISO9001、ISO14001、CCC、CQC、CE、UL etc.

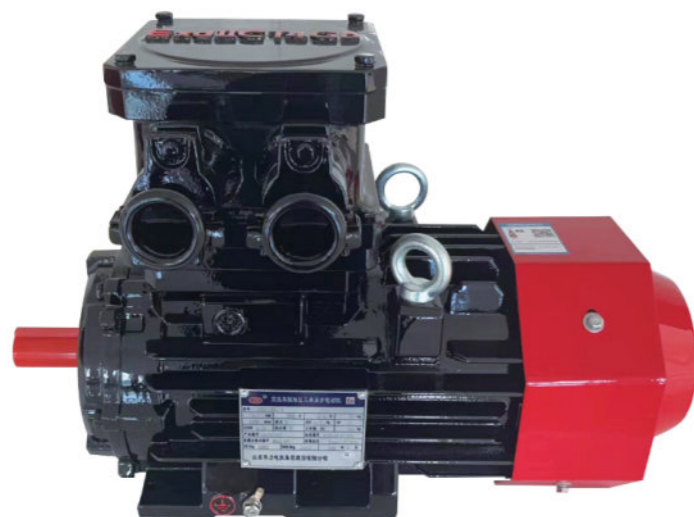
The company insists on the development strategy of "Occupying the high point of science and technology, Expand-ing the global market", and constructs two major market plates of domestic and international. Store sales branches have been established in more than 50 large and medium-sized cities throughout the country, which created a highly efficient sale and service network. The products are also sold to more than 40 countries and regions such as Europe, Asia, Africa and America. The scale and comprehensive economic benefits of the enterprises rank in the forefront of the global motor industry.

Innovative ideas, advanced technology, excellent quality, high quality service and the spirit of unite and endeavour of Huali people, condensed into a continuous growth and development of the enterprise power. With such power, Huali and tis people will make the dream that "Creating a centennial Huali, Establishing a global brand" are being come true!



YBX5 系列高效率隔爆型三相异步电动机

Series High-Efficiency Flameproof 3-Phase Asynchronous Motor



产品概述 Product Introduction

YBX5 系列高效率隔爆型三相异步电动机符合 GB18613-2020《电动机能效限定值及能效等级》中规定的一级效率标准。电动机按照 GB/T3836.1-2021《爆炸性环境第 1 部分：设备 通用要求》和 GB/T3836.2-2021《爆炸性环境第 2 部分：由隔爆外壳“d”保护的的设备》的规定制成隔爆型，其防爆标志为 Ex db IIB T4 Gb 和 Ex db IIC T4 Gb，分别适用于 II 类 B 和 C 级 T1 ~ T4 组可燃性气体或蒸汽与空气形成的爆炸性混合物的场所内的设备上，作为一般动力设备使用。

其提高效率设计，符合国家对生产制造行业提出节能降耗的要求。

YBX5 系列电机的安装尺寸符合 IEC 60034 标准。具有结构合理，外形美观，效率高，噪音低，防护等级、绝缘等级高、使用寿命长、可靠性强等优点，主要应用于煤矿、石油天然气、石油化工和化学工业。此外，在纺织、冶金、城市燃气、交通、粮油加工、造纸、医药等部门也被广泛应用。

YBX5 series high-efficiency flameproof three-phase asynchronous motors is in line with the first efficiency standards specified in GB18613-2020 "Minimum allowable values of energy efficiency and values of efficiency grades for motors". Motor in accordance with GB/T 3836.1-2021 "Explosive atmospheres—Part 1: Equipment—General requirements" and GB/T3836.2-2021 "Explosive atmospheres—Part 2: Equipment protection by flameproof enclosures“d”" made of flameproof type, the explosion-proof mark is Ex db IIB T4 Gb and Ex db IIC T4 Gb, respectively, for use as general power equipment in Class IIB and C Class T1 ~ T4 flammable gas or steam and air formed explosive mixture of equipment.

Improvement on design of efficiency is in line with the state's requirements on the energy saving and consumption reducing of the manufacturing sector.

YBX5 series motors are installed in accordance with IEC 60034 standards. It has the advantages of reasonable structure, beautiful appearance, high efficiency, low noise, high protection grade, high insulation grade, long service life, strong reliability, etc., mainly used in coal mine, oil and gas, petrochemical and chemical industry. In addition, it is also widely used in textile, metallurgy, urban gas, transportation, grain and oil processing, paper making, medicine and other sectors.

详细说明 Specification

◆现场条件

YBX5系列电动机标准工作条件为海拔不超过1000m,环境温度最低为-15℃,环境温度最高为40℃。

◆温升和绝缘

电动机按F级绝缘设计(155℃),按B级绝缘考核(80K),电动机的使用寿命和可靠性得到保证。

◆冷却和通风

标准冷却方式为全封闭自扇冷。标准电机装有辅流式塑料风扇。符合IEC60034-6中IC411的规定。

◆防护等级

电动机的防护等级为IP55,可用于含尘或潮湿环境。也可根据客户要求提供更高防护等级的电动机。

◆电机保护

可根据要求安装PTC、PT100等绕组和轴承测温及保护装置。

◆电压、频率

标准电机为380V/50HZ。在供电电压偏离额定电压±5%的情况下,仍能良好运行。

◆振动

YBX5系列电动机在空载时振动速度等级符合A级。特殊要求时,可提供B级电动机。

◆质量保证

从产品设计到产品出厂,遵循ISO9001 质量认证体系,严格遵守质量程序。

Site conditions

The standard working condition of YBX5 series motor is no more than 1000m above sea level,the lowest ambient temperature is -15°C,and the highest ambient temperature is 40°C.

Temperature and insulation

F class (155°C) insulation system and temperature rise class B (80K) are adopted to the motor,The service life and reliability of the motor are guaranteed.

Cooling and ventilation

The standard cooling method is fully enclosed self-fan-cooling. The standard motor is equipped with a co-flow plastic fan. Comply with IC411 in IEC60034-6.

Protection class

The standard protection degree of motor is IP55, which make moist and dusty condition is also allowable. Higher degree of protection is also available according to customer's requirement.

Motor protection

The protection and measurement equipment to Winding and bearing such as PTC, PT100 are available on request.

Voltage and frequency

Standard voltage and frequency is 380V/ 50HZ. The motors will operate satisfactorily with variations of ±5% from the rated voltage.

Vibration

Standard vibration class is A during no-load condition; higher vibration class B is available on request.

Quality assurance

Stringent quality procedures are observed from first design to finished products in accordance with ISO9001 documented quality systems.

技术数据 Technical Data

2极-同步转速3000r/min 50HZ 2pole-3000rpm synchronous speed 50HZ

型号 motor type	额定 功率 rated output kW	额定 转速 rated speed rpm	额定 电流 IFL 380V A	效率 EFF %	功率 因数 power factor cosφ	额定 转矩 rated torque N.m	堵转 转矩 额定 转矩 TST/TFL	最大 转矩 额定 转矩 TM/TFL	堵转 电流 额定 电流 IST/IFL	转动 惯量 M of I kgm ²	噪音 noise level LW dB(A)	重量 net weight kg
YBX5-80M1-2	0.75	2900	1.6	86.3%	0.82	2.5	2.2	2.5	8.2	0.0015	62	19
YBX5-80M2-2	1.1	2905	2.3	87.8%	0.82	3.6	2.2	2.5	8.2	0.003	62	40
YBX5-90S-2	1.5	2940	3.0	88.9%	0.85	4.9	2.2	2.5	8.2	0.0033	67	42
YBX5-90L-2	2.2	2940	4.4	90.2%	0.85	7.1	2.2	2.5	8.2	0.0041	67	49
YBX5-100L-2	3	2945	5.8	91.1%	0.87	9.7	2.2	2.5	8.2	0.01	74	74
YBX5-112M-2	4	2945	7.5	91.8%	0.88	13.0	2.2	2.5	8.1	0.013	77	78
YBX5-132S1-2	5.5	2945	10.3	92.6%	0.88	17.8	2.2	2.5	8.2	0.03	79	131
YBX5-132S2-2	7.5	2945	13.7	93.3%	0.89	24.3	2.2	2.5	8.2	0.037	79	137
YBX5-160M1-2	11	2965	20.0	94.0%	0.89	35.4	2.2	2.5	8.2	0.078	81	147
YBX5-160M2-2	15	2965	27.1	94.5%	0.89	48.3	2.2	2.5	8.5	0.095	81	170
YBX5-160L-2	18.5	2965	33.3	94.9%	0.89	59.6	2.2	2.5	8.5	0.11	81	240
YBX5-180M-2	22	2970	39.5	95.1%	0.89	70.7	2.2	2.5	8.5	0.19	83	249
YBX5-200L1-2	30	2975	53.6	95.5%	0.89	96.3	2.2	2.8	8.5	0.29	84	405
YBX5-200L2-2	37	2975	65.9	95.8%	0.89	118.8	2.2	2.8	8.5	0.36	84	510
YBX5-225M-2	45	2975	80.0	96.0%	0.89	144.5	2.2	2.8	8.5	0.46	86	437
YBX5-250M-2	55	2980	97.6	96.2%	0.89	176.3	2.2	2.8	8.5	1.1	89	631
YBX5-280S-2	75	2980	132.7	96.5%	0.89	240.4	2.2	2.8	8.5	1.9	91	1070
YBX5-280M-2	90	2980	159.1	96.6%	0.89	288.4	2.2	2.8	8.5	2.29	91	1130
YBX5-315S-2	110	2985	191.8	96.8%	0.9	351.9	2.2	2.8	8.5	3.05	92	1700
YBX5-315M-2	132	2985	230.0	96.9%	0.9	422.3	2.2	2.8	8.5	3.41	92	1630
YBX5-315L1-2	160	2985	278.5	97.0%	0.9	511.9	2.2	2.8	8.5	4.12	92	1848
YBX5-315L-2	185	2985	317.8	97.2%	0.91	591.9	2.2	2.8	8.5	4.53	92	1900
YBX5-315L2-2	200	2985	343.6	97.2%	0.91	639.9	2.2	2.8	8.5	4.87	92	1920
YBX5-355M1-2	220	2990	377.9	97.2%	0.91	702.7	2.0	2.8	8.5	4.4	100	1700
YBX5-355M2-2	250	2990	429.4	97.2%	0.91	798.5	2.0	2.8	8.5	4.8	100	1780
YBX5-355L-2	280	2990	481.0	97.2%	0.91	894.3	2.0	2.8	8.5	5.0	100	2000
YBX5-3551-2	315	2990	541.1	97.2%	0.91	1006.1	2.0	2.8	8.5	5.6	104	2200
YBX5-3552-2	355	2990	609.8	97.2%	0.91	1133.9	2.0	2.8	8.5	5.9	104	2310

技术数据 Technical Data

4极-同步转速1500r/min 50HZ 4pole-1500rpm synchronous speed 50HZ

型号 motor type	额定 功率 rated output kW	额定 转速 rated speed rpm	额定 电流 IFL 380V A	效率 EFF %	功率 因数 power factor cosφ	额定 转矩 rated torque N.m	堵转 转矩 额定 转矩 TST/TFL	最大 转矩 额定 转矩 TM/TFL	堵转 电流 额定 电流 IST/IFL	转动 惯量 M of I kgm ²	噪音 noise level LW dB(A)	重量 net weight kg
YBX5-80M2-4	0.75	1450	1.7	88.2%	0.75	4.9	2.3	2.5	8.5	0.0055	56	37
YBX5-90S-4	1.1	1470	2.5	89.5%	0.75	7.1	2.3	2.5	8.5	0.0049	59	45
YBX5-90L-4	1.5	1470	3.3	90.4%	0.77	9.7	2.3	2.5	8.5	0.0056	59	52
YBX5-100L1-4	2.2	1470	4.7	91.4%	0.78	14.3	2.3	2.5	8.5	0.019	64	69
YBX5-100L2-4	3	1485	6.3	92.1%	0.78	19.3	2.3	2.5	9.0	0.029	64	79
YBX5-112M-4	4	1485	8.2	92.8%	0.8	25.7	2.3	2.5	9.0	0.039	65	102
YBX5-132S-4	5.5	1485	11.2	93.4%	0.8	35.4	2.1	2.5	9.0	0.092	71	148
YBX5-132M-4	7.5	1490	15.0	94.0%	0.81	48.1	2.1	2.5	9.0	0.099	71	160
YBX5-160M-4	11	1490	21.5	94.6%	0.82	70.5	2.1	2.5	9.0	0.19	73	227
YBX5-160L-4	15	1490	28.5	95.1%	0.84	96.1	2.1	2.5	9.0	0.21	73	253
YBX5-180M-4	18.5	1485	35.1	95.3%	0.84	119.0	2.1	2.8	9.0	0.29	76	274
YBX5-180L-4	22	1485	41.7	95.5%	0.84	141.5	2.1	2.8	9.0	0.34	76	284
YBX5-200L-4	30	1485	55.9	95.9%	0.85	192.9	2.1	2.8	9.0	0.73	76	447
YBX5-225S-4	37	1485	68.8	96.1%	0.85	237.9	2.1	2.8	9.0	0.87	78	503
YBX5-225M-4	45	1485	83.5	96.3%	0.85	289.4	2.1	2.8	9.0	0.96	78	535
YBX5-250M-4	55	1490	101.9	96.5%	0.85	352.5	2.1	2.8	9.0	1.69	79	600
YBX5-280S-4	75	1490	135.5	96.7%	0.87	480.7	2.1	2.8	9.0	4.1	80	1000
YBX5-280M-4	90	1490	160.4	96.9%	0.88	576.8	2.1	2.8	9.0	5.37	80	1190
YBX5-315S-4	110	1490	193.6	97.0%	0.89	705.0	2.1	2.8	9.0	5.9	88	1388
YBX5-315M-4	132	1490	232.1	97.1%	0.89	846.0	2.1	2.8	9.0	6.49	88	1490
YBX5-315L1-4	160	1490	277.9	97.2%	0.9	1025.5	1.9	2.8	8.5	7.89	88	1456
YBX5-315L-4	185	1490	321.0	97.3%	0.9	1185.7	1.9	2.8	8.5	8.32	88	1566
YBX5-315L2-4	200	1490	346.7	97.4%	0.9	1281.9	1.9	2.8	8.5	9.15	88	1569
YBX5-355M1-4	220	1490	381.3	97.4%	0.9	1410.1	2.0	2.6	8.5	9.9	92	2010
YBX5-355M2-4	250	1490	433.3	97.4%	0.9	1602.3	2.0	2.6	8.5	10.2	92	2130
YBX5-355L-4	280	1490	485.3	97.4%	0.9	1794.6	2.0	2.6	8.5	11.6	92	2240
YBX5-3551-4	315	1490	546.0	97.4%	0.9	2019.0	2.0	2.6	8.5	12.8	92	2400
YBX5-3552-4	355	1490	622.2	97.4%	0.9	2275.3	2.0	2.6	8.5	13.4	92	2580

技术数据 Technical Data

6极-同步转速1000r/min 50HZ 6pole-1000rpm synchronous speed 50HZ

型号 motor type	额定 功率 rated output kW	额定 转速 rated speed rpm	额定 电流 IFL 380V A	效率 EFF %	功率 因数 power factor cosφ	额定 转矩 rated torque N.m	堵转 转矩 额定 转矩 TST/TFL	最大 转矩 额定 转矩 TM/TFL	堵转 电流 额定 电流 IST/IFL	转动 惯量 M of I kgm ²	噪音 noise level LW dB(A)	重量 net weight kg
YBX5-90S-6	0.75	980	1.9	85.7%	0.7	7.3	2.1	2.6	8.5	0.0086	57	46
YBX5-90L-6	1.1	980	2.7	87.2%	0.71	10.7	2.1	2.6	8.5	0.0098	57	58
YBX5-100L-6	1.5	980	3.6	88.4%	0.71	14.6	2.1	2.6	8.5	0.026	61	74
YBX5-112M-6	2.2	980	5.2	89.7%	0.71	21.4	2.1	2.6	8.5	0.038	65	90
YBX5-132S-6	3	985	7.1	90.6%	0.71	29.1	2.1	2.6	8.5	0.077	69	124
YBX5-132M1-6	4	985	9.2	91.4%	0.72	38.8	2.1	2.6	8.5	0.09	69	146
YBX5-132M2-6	5.5	985	12.6	92.2%	0.72	53.3	2.1	2.6	8.5	0.11	69	153
YBX5-160M-6	7.5	985	16.4	92.9%	0.75	72.7	2.1	2.6	8.5	0.23	73	169
YBX5-160L-6	11	985	23.5	93.7%	0.76	106.6	2.1	2.6	8.5	0.26	73	257
YBX5-180L-6	15	990	31.4	94.3%	0.77	144.7	2.1	2.6	8.5	0.52	73	235
YBX5-200L1-6	18.5	990	37.1	94.6%	0.8	178.5	2.1	2.6	8.5	0.64	73	375
YBX5-200L2-6	22	990	44.0	94.9%	0.8	212.2	2.1	2.6	8.5	0.74	73	418
YBX5-225M-6	30	990	59.0	95.3%	0.81	289.4	2.1	2.6	8.5	1.37	74	515
YBX5-250M-6	37	990	70.8	95.6%	0.83	356.9	2.1	2.6	8.5	2.51	76	598
YBX5-280S-6	45	990	84.0	95.8%	0.85	434.1	2.1	2.6	8.5	4.09	78	850
YBX5-280M-6	55	990	102.4	96.0%	0.85	530.6	2.1	2.6	8.5	4.65	78	900
YBX5-315S-6	75	995	140.9	96.3%	0.84	719.8	2.1	2.6	8.5	9.06	83	1235
YBX5-315M-6	90	995	168.7	96.5%	0.84	863.8	2.1	2.6	8.5	10.54	83	1378
YBX5-315L1-6	110	995	206.0	96.6%	0.84	1055.8	2.1	2.6	8.5	11.04	83	1430
YBX5-315L2-6	132	995	246.7	96.8%	0.84	1267	2.1	2.6	8.5	12.05	83	1517
YBX5-355M1-6	160	995	291.4	97.0%	0.86	1535.7	1.9	2.4	8.0	12.9	85	1810
YBX5-355M-6	185	995	337.0	97.0%	0.86	1775.6	1.9	2.4	8.0	13.4	85	1860
YBX5-355M2-6	200	995	364.3	97.0%	0.86	1919.6	1.9	2.4	8.0	13.9	85	2010
YBX5-355L-6	220	995	400.7	97.0%	0.86	2111.6	1.9	2.4	7.8	14.4	85	2200
YBX5-3551-6	250	995	455.3	97.0%	0.86	2399.5	1.9	2.4	7.8	14.8	91	2390
YBX5-3552-6	280	995	510.0	97.0%	0.86	2687.4	1.9	2.4	7.8	15.2	91	2500

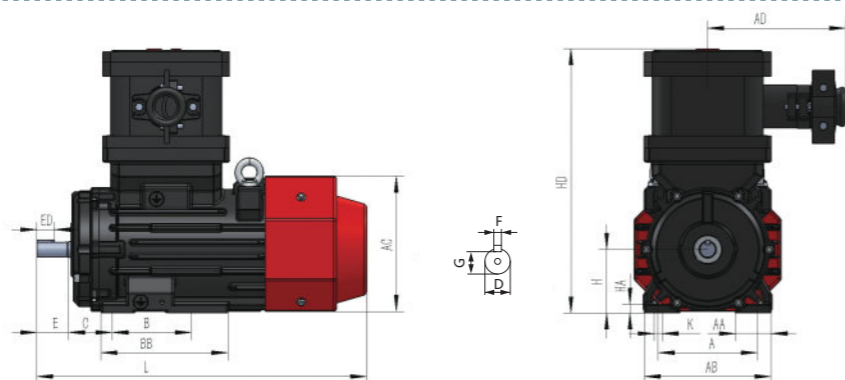
技术数据 Technical Data

8极-同步转速750r/min 50HZ 8pole-750rpm synchronous speed 50HZ

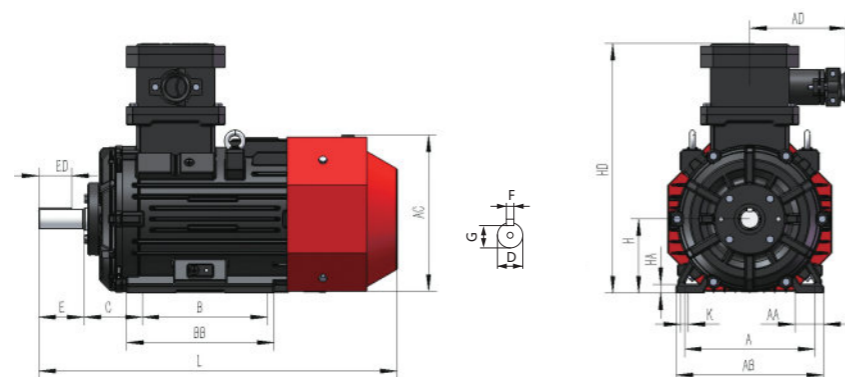
型号 motor type	额定 功率 rated output kW	额定 转速 rated speed rpm	额定 电流 IFL 380V A	效率 EFF %	功率 因数 power factor cosφ	额定 转矩 rated torque N.m	堵转 转矩 额定 转矩 TST/TFL	最大 转矩 额定 转矩 TM/TFL	堵转 电流 额定 电流 IST/IFL	转动 惯量 M of I kgm ²	噪音 noise level LW dB(A)	重量 net weight kg
YBX5-100L1-8	0.75	715	2.1	82.0%	0.67	10.0	2.0	2.5	7.2	0.015	59	50
YBX5-100L2-8	1.1	720	3.0	84.0%	0.67	14.6	2.0	2.5	7.2	0.022	59	54
YBX5-112M-8	1.5	720	3.9	85.5%	0.69	19.9	2.0	2.5	7.2	0.029	61	80
YBX5-132S-8	2.2	730	5.6	87.2%	0.69	28.8	2.0	2.5	7.2	0.062	64	84
YBX5-132M-8	3	730	7.3	88.4%	0.71	39.2	2.0	2.5	7.2	0.077	64	90
YBX5-160M1-8	4	735	9.6	89.4%	0.71	52.0	2.0	2.5	7.2	0.13	68	148
YBX5-160M2-8	5.5	735	12.8	90.4%	0.72	71.5	2.0	2.5	7.2	0.17	68	157
YBX5-160L-8	7.5	735	17.3	91.3%	0.72	97.4	2.0	2.5	7.2	0.23	68	211
YBX5-180L-8	11	740	24.8	92.2%	0.73	142.0	2.0	2.5	7.5	0.35	70	294
YBX5-200L-8	15	740	33.6	92.9%	0.73	193.6	2.0	2.5	7.5	0.64	73	350
YBX5-225S-8	18.5	740	40.2	93.3%	0.75	238.8	2.0	2.5	7.5	1.11	73	465
YBX5-225M-8	22	740	47.0	93.6%	0.76	283.9	2.0	2.5	7.5	1.37	73	643
YBX5-250M-8	30	745	62.9	94.1%	0.77	384.6	2.0	2.5	7.5	2.35	75	510
YBX5-280S-8	37	745	76.3	94.4%	0.78	474.3	2.0	2.5	7.5	4.229	76	535
YBX5-280M-8	45	745	91.4	94.7%	0.79	576.8	2.0	2.5	7.5	5.87	76	625
YBX5-315S-8	55	745	111.5	94.9%	0.79	705.0	2.0	2.5	7.5	8.86	82	1188
YBX5-315M-8	75	745	149.5	95.3%	0.8	961.4	2.0	2.5	7.5	10.54	82	1283
YBX5-315L1-8	90	745	179.0	95.5%	0.8	1153.7	2.0	2.5	7.5	12.52	82	1330
YBX5-315L2-8	110	745	218.3	95.7%	0.8	1410	2.0	2.5	7.5	15.12	82	1401
YBX5-355M1-8	132	745	258.2	95.9%	0.81	1692	1.8	2.4	6.5	12.9	89	1900
YBX5-355M-8	160	745	315.6	96.1%	0.81	2051	1.8	2.4	6.5	13.9	89	2040
YBX5-355L-8	185	745	363.8	96.2%	0.81	2371	1.8	2.4	6.5	14.2	89	2200
YBX5-3551-8	200	745	393.2	96.3%	0.81	2564	1.8	2.4	6.5	14.9	89	2500
YBX5-3552-8	220	745	432.6	96.3%	0.81	2820	1.8	2.4	6.5	15.3	89	2580

Y B3外形及安装尺寸 Dimensions Foot Mount B3

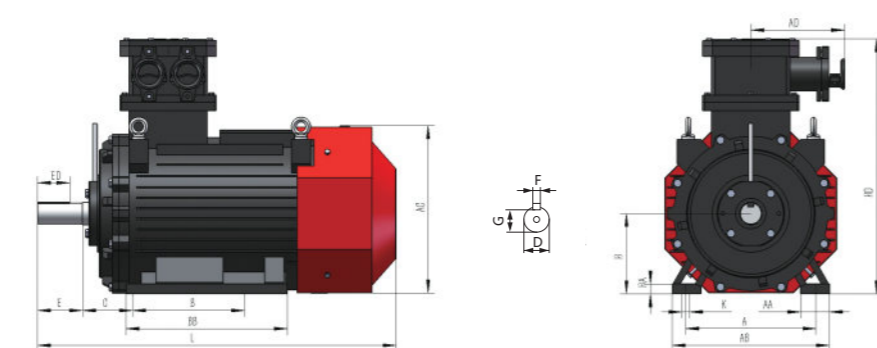
YBX5-80~132



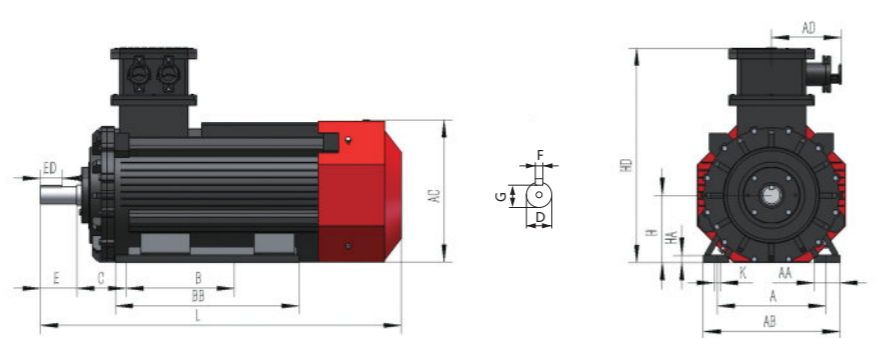
YBX5-160~200



YBX5-225~280



YBX5-315~355



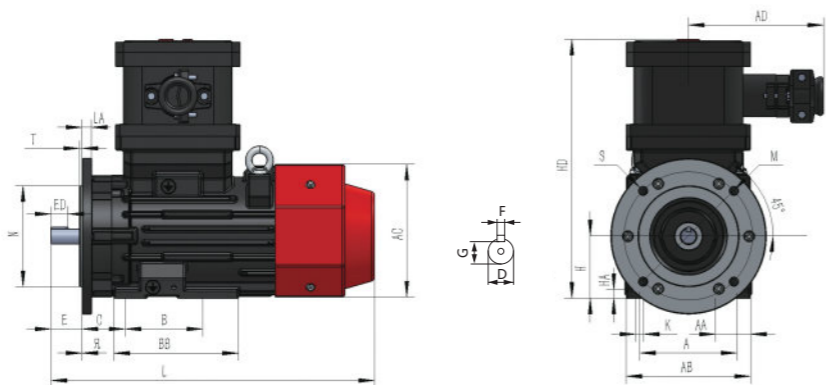
Y B3外形及安装尺寸 Dimensions Foot Mount B3

机座号	极数	A	AA	AB	AC*	AD	B	BB	C	D	E	ED	F	G	GD	H	HA	HD	K	L*
80M	2-8	125	45	160	173	185	100	160	50	19	40	22	6	15.5	6	80	11	340	10	425
90S	2-8	140	50	184	198	185	100	176	56	24	50	32	8	20	7	90	12	360	10	480
90L	2-8	140	50	184	198	185	125	176	56	24	50	32	8	20	7	90	12	360	10	480
100L	2-8	160	60	210	215	204	140	220	63	28	60	40	8	24	7	100	13	380	12	585
112M	2-8	190	65	230	240	204	140	240	70	28	60	40	8	24	7	112	15	415	12	600
132S	2-8	216	70	270	285	210	140	265	89	38	80	56	10	33	8	132	19	490	12	720
132M	2-8	216	70	270	285	210	178	265	89	38	80	56	10	33	8	132	19	490	12	720
160M	2-8	254	70	320	340	210	210	360	108	42	110	80	12	37	8	160	21	560	14.5	860
160L	2-8	254	70	320	340	210	254	360	108	42	110	80	12	37	8	160	21	560	14.5	860
180M	2-8	279	70	360	385	255	241	360	121	48	110	80	14	42.5	9	180	21	605	14.5	875
180L	2-8	279	70	360	385	255	279	360	121	48	110	80	14	42.5	9	180	21	605	14.5	875
200L	2-8	318	75	390	425	255	305	385	133	55	110	90	16	49	10	200	23	660	18.5	975
225S	4-8	356	80	430	480	286	286	457	149	60	140	100	18	53	11	225	26	736	18.5	1023
225M	2	356	80	430	480	286	311	457	149	55	110	80	16	49	10	225	26	736	18.5	1023
225M	4-8	356	80	430	480	286	311	457	149	60	140	100	18	53	11	225	26	736	18.5	1023
250M	2	406	90	490	535	290	349	505	168	60	140	100	18	53	11	250	31	795	24	1110
250M	4-8	406	90	490	535	290	349	505	168	65	140	100	18	58	11	250	31	795	24	1110
280S	2	457	110	540	610	290	368	640	190	65	140	100	18	58	11	280	35	865	24	1275
280S	4-8	457	110	540	610	290	368	640	190	75	140	100	20	67.5	12	280	35	865	24	1290
280M	2	457	110	540	610	290	419	640	190	65	140	100	18	58	11	280	35	865	24	1275
280M	4-8	457	110	540	610	290	419	640	190	75	140	100	20	67.5	12	280	35	865	24	1390
315S	2	508	120	640	690	330	406	760	216	65	140	100	18	58	11	315	35	1020	28	1545
315M	2	508	120	640	690	330	457	760	216	65	140	100	18	58	11	315	35	1020	28	1545
315L	2	508	120	640	690	330	508	860	216	65	140	100	18	58	11	315	35	1020	28	1665
315S	4-8	508	120	640	690	330	406	760	216	80	170	130	22	71	14	315	35	1020	28	1505
315M	4-8	508	120	640	690	330	457	760	216	80	170	130	22	71	14	315	35	1020	28	1625
315L	4-8	508	120	640	690	330	508	860	216	80	170	130	22	71	14	315	35	1020	28	1625
355M	2	610	130	720	740	330	560	1010	254	75	140	110	20	67.5	12	355	35	1090	28	1645
355L	2	610	130	720	740	330	630	1010	254	75	140	110	20	67.5	12	355	35	1090	28	1645
355M	4-8	610	130	720	740	330	560	1010	254	95	170	140	25	86	14	355	35	1090	28	1675
355L	4-8	610	130	720	740	330	630	1010	254	95	170	140	25	86	14	355	35	1090	28	1675
3551、2	2	610	130	720	740	330	630	1010	254	75	140	110	20	67.5	12	355	35	1090	28	1765
3551、2	4-8	610	130	720	740	330	630	1010	254	95	170	140	25	86	14	355	35	1090	28	1795

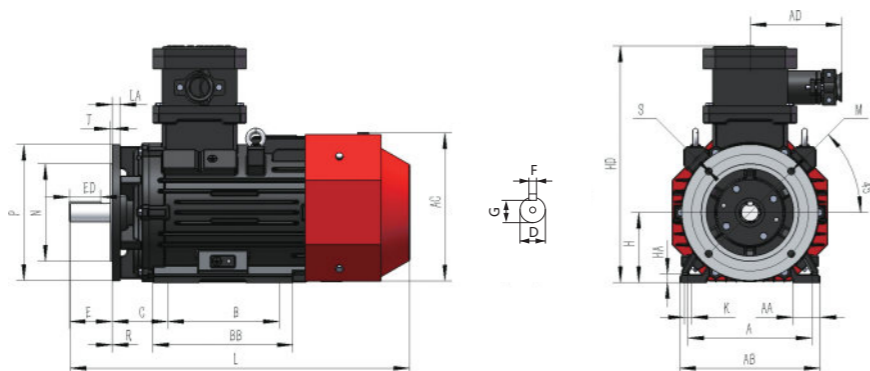
注:1.80-132机座号的L尺寸公差±5,160-355机座号的L尺寸公差±8。
The dimension of 'L' with tolerance ±5 for frame 80-132,tolerance ±8 for frame 160-355.
2.AC及L尺寸为最大外形尺寸,具体规格以确认外形图为准。
AC and L dimensions are the maximum external dimensions, and the details are subject to the confirmed drawings.

Y B35外形及安装尺寸 Dimensions Foot-Flange Mount B35

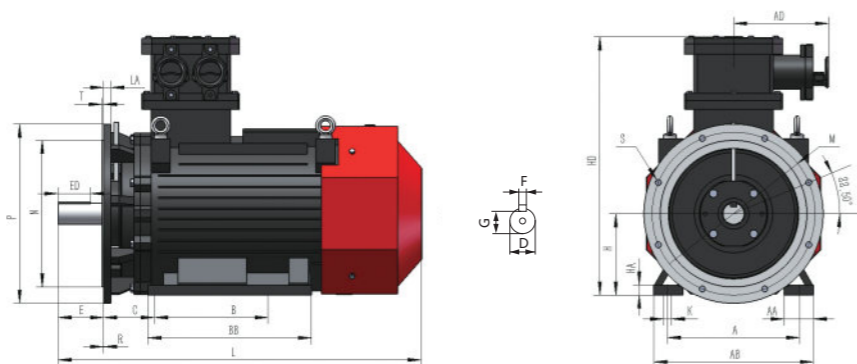
YBX5-80~132



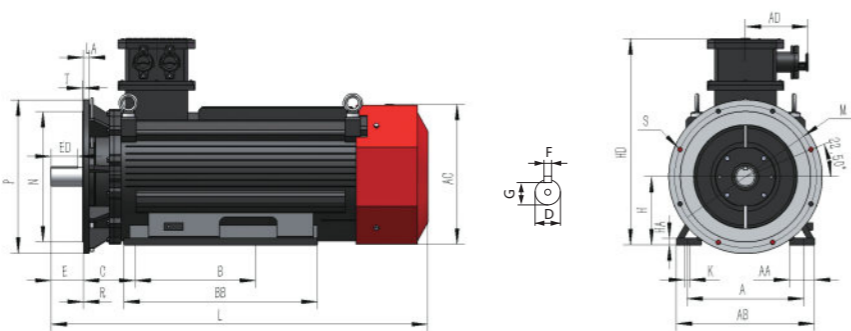
YBX5-160~200



YBX5-225~280



YBX5-315~355



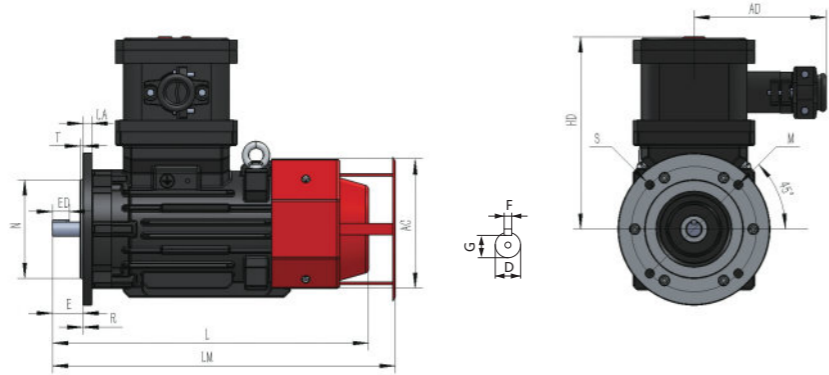
Y B35外形及安装尺寸 Dimensions Foot-Flange Mount B35

机座号	极数	A	AA	AB	AC*	AD	B	BB	C	D	E	ED	F	G	GD	H	HA	HD	K	L*	LA	M	N	P	S	T
80M	2-8	125	45	160	173	185	100	160	50	19	40	22	6	15.5	6	80	11	340	10	425	10	165	130	200	12	3.5
90S	2-8	140	50	184	198	185	100	176	56	24	50	32	8	20	7	90	12	360	10	480	12	165	130	200	12	3.5
90L	2-8	140	50	184	198	185	125	176	56	24	50	32	8	20	7	90	12	360	10	480	12	165	130	200	12	3.5
100L	2-8	160	60	210	215	204	140	220	63	28	60	40	8	24	7	100	13	380	12	585	14	215	180	250	14.5	4
112M	2-8	190	65	230	240	204	140	240	70	28	60	40	8	24	7	112	15	415	12	600	14	215	180	250	14.5	4
132S	2-8	216	70	270	285	210	140	265	89	38	80	56	10	33	8	132	19	490	12	720	16	265	230	300	14.5	4
132M	2-8	216	70	270	285	210	178	265	89	38	80	56	10	33	8	132	19	490	12	720	16	265	230	300	14.5	4
160M	2-8	254	70	320	340	210	210	360	108	42	110	80	12	37	8	160	21	560	14.5	860	19	300	250	350	19	5
160L	2-8	254	70	320	340	210	254	360	108	42	110	80	12	37	8	160	21	560	14.5	860	19	300	250	350	19	5
180M	2-8	279	70	360	385	255	241	360	121	48	110	80	14	42.5	9	180	21	605	14.5	875	20	300	250	350	19	5
180L	2-8	279	70	360	385	255	279	360	121	48	110	80	14	42.5	9	180	21	605	14.5	875	20	300	250	350	19	5
200L	2-8	318	75	390	425	255	305	385	133	55	110	90	16	49	10	200	23	660	18.5	975	18	350	300	400	18.5	5
225S	4-8	356	80	430	480	286	286	457	149	60	140	100	18	53	11	225	26	736	18.5	1023	22	400	350	450	19	5
225M	2	356	80	430	480	286	311	457	149	55	110	80	16	49	10	225	26	736	18.5	1023	22	400	350	450	19	5
225M	4-8	356	80	430	480	286	311	457	149	60	140	100	18	53	11	225	26	736	18.5	1023	22	400	350	450	19	5
250M	2	406	90	490	535	290	349	505	168	60	140	100	18	53	11	250	31	795	24	1110	22	500	450	550	19	5
250M	4-8	406	90	490	535	290	349	505	168	65	140	100	18	58	11	250	31	795	24	1110	22	500	450	550	19	5
280S	2	457	110	540	610	290	368	640	190	65	140	100	18	58	11	280	35	865	24	1275	24	500	450	550	19	5
280S	4-8	457	110	540	610	290	368	640	190	75	140	100	20	67.5	12	280	35	865	24	1290	24	500	450	550	19	5
280M	2	457	110	540	610	290	419	640	190	65	140	100	18	58	11	280	35	865	24	1275	24	500	450	550	19	5
280M	4-8	457	110	540	610	290	419	640	190	75	140	100	20	67.5	12	280	35	865	24	1390	24	500	450	550	19	5
315S	2	508	120	640	690	330	406	760	216	65	140	100	18	58	11	315	35	1020	28	1545	24	600	550	660	24	6
315M	2	508	120	640	690	330	457	760	216	65	140	100	18	58	11	315	35	1020	28	1545	24	600	550	660	24	6
315L	2	508	120	640	690	330	508	860	216	65	140	100	18	58	11	315	35	1020	28	1665	24	600	550	660	24	6
315S	4-8	508	120	640	690	330	406	760	216	80	170	130	22	71	14	315	35	1020	28	1505	24	600	550	660	24	6
315M	4-8	508	120	640	690	330	457	760	216	80	170	130	22	71	14	315	35	1020	28	1625	24	600	550	660	24	6
315L	4-8	508	120	640	690	330	508	860	216	80	170	130	22	71	14	315	35	1020	28	1625	24	600	550	660	24	6
355M	2	610	130	720	740	330	560	1010	254	75	140	110	20	67.5	12	355	35	1090	28	1645	25	740	680	800	24	6
355L	2	610	130	720	740	330	630	1010	254	75	140	110	20	67.5	12	355	35	1090	28	1645	25	740	680	800	24	6
355M	4-8	610	130	720	740	330	560	1010	254	95	170	140	25	86	14	355	35	1090	28	1675	25	740	680	800	24	6
355L	4-8	610	130	720	740	330	630	1010	254	95	170	140	25	86	14	355	35	1090	28	1675	25	740	680	800	24	6
3551、2	2	610	130	720	740	330	630	1010	254	75	140	110	20	67.5	12	355	35	1090	28	1765	25	740	680	800	24	6
3551、2	4-8	610	130	720	740	330	630	1010	254	95	170	140	25	86	14	355	35	1090	28	1795	25	740	680	800	24	6

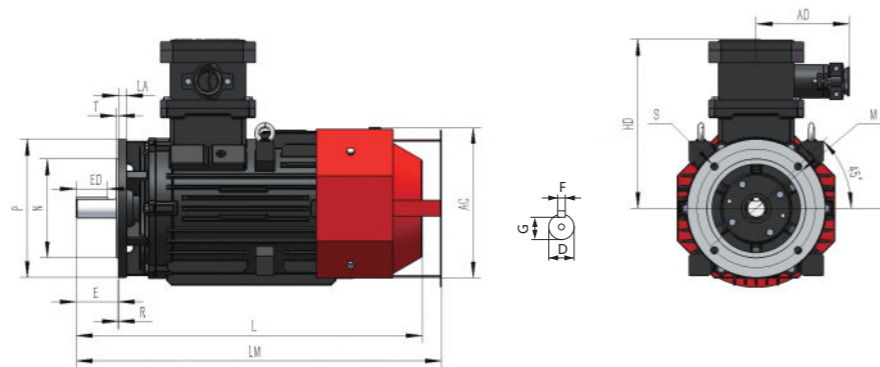
注:1.图中R尺寸值均为0, The 'R' dimensions is zero.
 2.80-132机座号的L尺寸公差±5,160-355机座号的L尺寸公差±8.
 The dimension of 'L' with tolerance ±5 for frame 80-132,tolerance ±8 for frame 160-355.
 3.AC及L尺寸为最大外形尺寸, 具体规格以确认外形图为准。
 AC and L dimensions are the maximum external dimensions, and the details are subject to the confirmed drawings.

▶ B5&V1外形及安装尺寸 *Dimensions Flange Mount B5&V1*

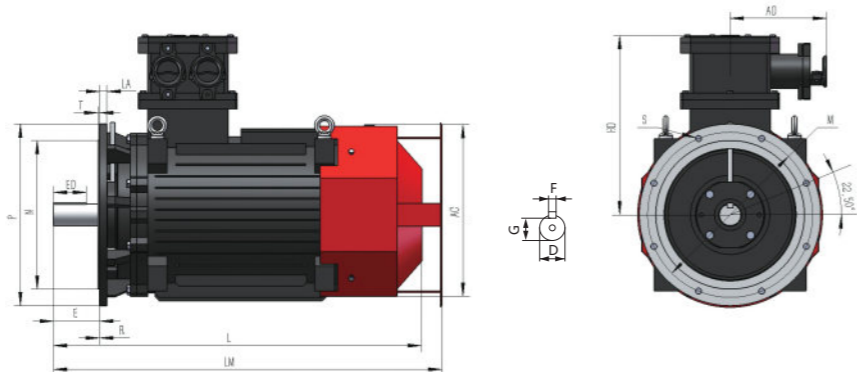
YBX5-80~132



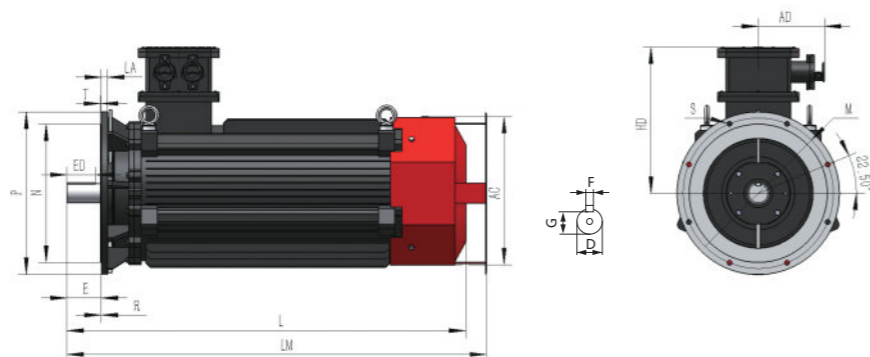
YBX5-160~200



YBX5-225~280



YBX5-315~355



▶ B5&V1外形及安装尺寸 *Dimensions Flange Mount B5&V1*

机座号	极数	AC*	D	AD	E	ED	F	G	GD	LA	M	N	P	S	T	HD	L*(B5)	LM*(V1)
80M	2-8	173	19	185	40	22	6	15.5	6	10	165	130	200	12	3.5	260	425	525
90S	2-8	198	24	185	50	32	8	20	7	12	165	130	200	12	3.5	270	480	580
90L	2-8	198	24	185	50	32	8	20	7	12	165	130	200	12	3.5	270	480	580
100L	2-8	215	28	204	60	40	8	24	7	14	215	180	250	14.5	4	280	585	685
112M	2-8	240	28	204	60	40	8	24	7	14	215	180	250	14.5	4	305	600	700
132S	2-8	285	38	210	80	56	10	33	8	16	265	230	300	14.5	4	360	720	770
132M	2-8	285	38	210	80	56	10	33	8	16	265	230	300	14.5	4	360	720	770
160M	2-8	340	42	210	110	80	12	37	8	19	300	250	350	19	5	400	860	910
160L	2-8	340	42	210	110	80	12	37	8	19	300	250	350	19	5	400	860	910
180M	2-8	385	48	255	110	80	14	42.5	9	20	300	250	350	19	5	425	875	925
180L	2-8	385	48	255	110	80	14	42.5	9	20	300	250	350	19	5	425	875	925
200L	2-8	425	55	255	110	90	16	49	10	18	350	300	400	18.5	5	460	975	1025
225S	4-8	480	60	286	140	100	18	53	11	22	400	350	450	19	5	515	1023	1073
225M	2	480	55	286	110	80	16	49	10	22	400	350	450	19	5	515	1023	1073
225M	4-8	480	60	286	140	100	18	53	11	22	400	350	450	19	5	515	1023	1073
250M	2	535	60	290	140	100	18	53	11	22	500	450	550	19	5	545	1110	1210
250M	4-8	535	65	290	140	100	18	58	11	22	500	450	550	19	5	545	1110	1210
280S	2	610	65	290	140	100	18	58	11	24	500	450	550	19	5	585	1275	1375
280S	4-8	610	75	290	140	100	20	67.5	12	24	500	450	550	19	5	585	1290	1390
280M	2	610	65	290	140	100	18	58	11	24	500	450	550	19	5	585	1275	1375
280M	4-8	610	75	290	140	100	20	67.5	12	24	500	450	550	19	5	585	1390	1490
315S	2	690	65	330	140	100	18	58	11	24	600	550	660	24	6	705	1545	1605
315M	2	690	65	330	140	100	18	58	11	24	600	550	660	24	6	705	1545	1645
315L	2	690	65	330	140	100	18	58	11	24	600	550	660	24	6	705	1665	1765
315S	4-8	690	80	330	170	130	22	71	14	24	600	550	660	24	6	705	1505	1625
315M	4-8	690	80	330	170	130	22	71	14	24	600	550	660	24	6	705	1625	1725
315L	4-8	690	80	330	170	130	22	71	14	24	600	550	660	24	6	705	1625	1725
355M	2	740	75	330	140	110	20	67.5	12	25	740	680	800	24	6	735	1645	1745
355L	2	740	75	330	140	110	20	67.5	12	25	740	680	800	24	6	735	1645	1745
355M	4-8	740	95	330	170	140	25	86	14	25	740	680	800	24	6	735	1675	1775
355L	4-8	740	95	330	170	140	25	86	14	25	740	680	800	24	6	735	1675	1895
3551、2	2	740	75	330	140	110	20	67.5	12	25	740	680	800	24	6	735	1765	1865
3551、2	4-8	740	95	330	170	140	25	86	14	25	740	680	800	24	6	735	1795	1895

注:1.图中R尺寸值均为0。The 'R' dimensions is zero.

2.80-132机座号的L和LM尺寸公差±5,160-355机座号的L和LM尺寸公差±8。

The dimension of 'L' and 'LM' with tolerance ±5 for frame 80-132,tolerance ±8 for frame 160-355.

3.AC及L尺寸为最大外形尺寸,具体规格以确认外形图为准。

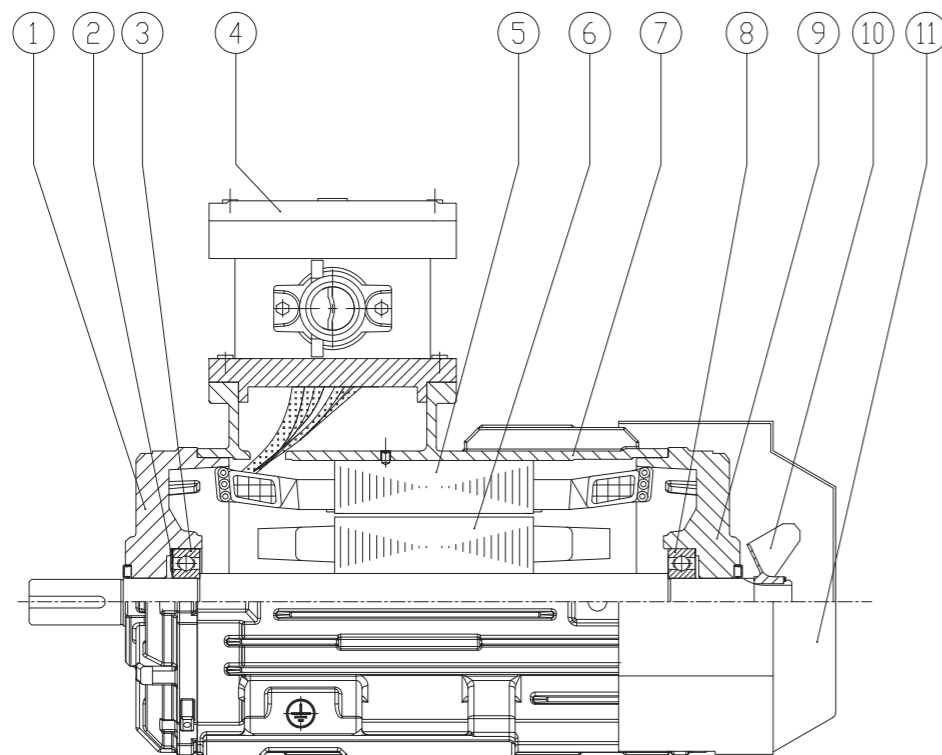
AC and L dimensions are the maximum external dimensions, and the details are subject to the confirmed drawings.

▶ 装配图及零部件明细表 Arrangement And Parts List

YBX5 80~132FRAME

零部件名称		Parts Description
1	驱动端端盖	Endshield D.E.
2	波形弹簧	Wave washer
3	驱动端轴承	Bearing D.E.
4	接线盒	Terminal box
5	定子铁芯	Stator lamination pack
6	转子铁芯	Rotor lamination pack
7	机座	Frame
8	非驱动端轴承	Bearing N.D.E.
9	非驱动端端盖	Endshield N.D.E.
10	风扇	Fan
11	风罩	Fan cowl

基本结构说明		Specifications standard construction
铸铁机座和接线盒	Cast iron frame,terminal box.	
钢板冲压风罩	Pressed steel fan cowl.	
铸铁端盖	Cast iron endshields.	
聚丙烯玻璃纤维风扇	Polypropylene,glass reinforced fan.	
电机专用轴承	Equivalent bearings.	
特性		Features
电机尺寸和额定功率符合IEC60072	Dimensions and ratings to IEC60072	
GB/T4772.1-4772.3	GB/T4772.1-4772.3	
IP55	IP55	
接线盒在上面	Top mounted terminal box.	
接线盒可90°旋转	Terminalbox rotates in 90 deg	
冷却方式IC411	Cooling IC411	
安装		Mounting
B3-卧式底脚安装	B3-foot mounted	
B5-卧式凸缘安装	B5-flange mounted-horizontal.	
B35-底脚凸缘安装	B35-foot And flange mounted	
V1-立式凸缘安装	V1-flang mounted-vertical	

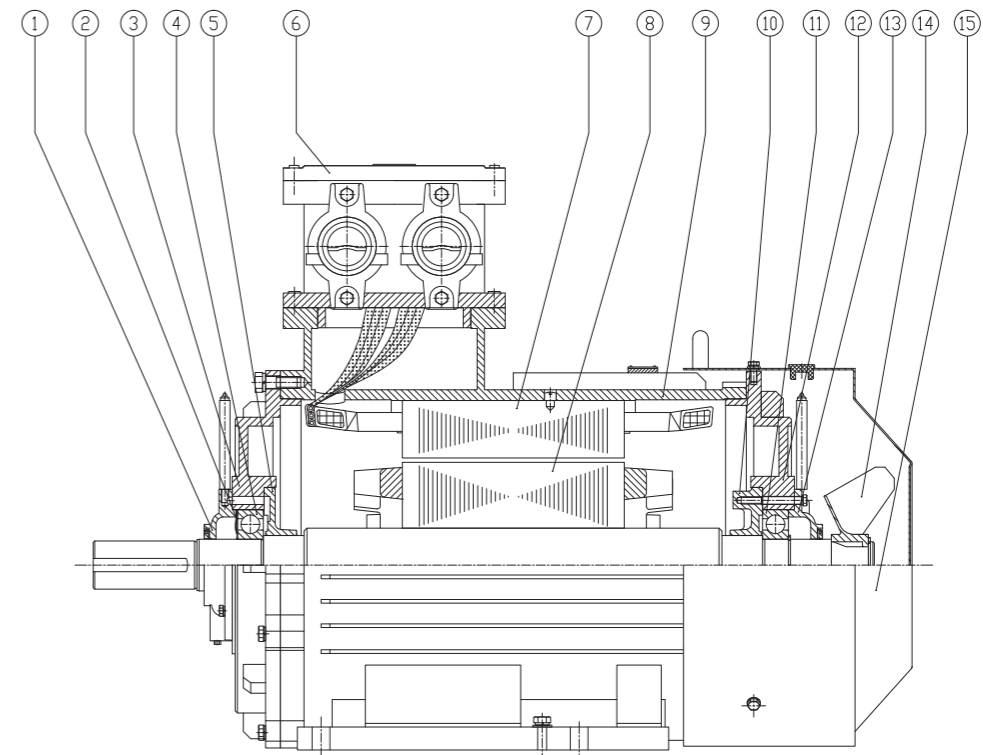


▶ 装配图及零部件明细表 Arrangement And Parts List

YBX5 160~280FRAME

零部件名称		Parts Description
1	驱动端轴承外盖	Outer bearing cap D.E.
2	波形弹簧	Wave washer
3	驱动端端盖	Endshield D.E.
4	驱动端轴承	Bearing D.E.
5	驱动端轴承内盖	Inner bearing cap D.E.
6	接线盒	Terminal box
7	定子铁芯	Stator lamination pack
8	转子铁芯	Rotor lamination pack
9	机座	Frame
10	非驱动端轴承内盖	Inner bearing cap N.D.E.
11	非驱动端轴承	Bearing N.D.E.
12	非驱动端端盖	Endshield N.D.E.
13	非驱动端轴承外盖	Outer bearing cap N.D.E.
14	风扇	Fan
15	风罩	Fan cowl

基本结构说明		Specifications standard construction
铸铁机座和接线盒	Cast iron frame,terminal box.	
钢板冲压风罩	Pressed steel fan cowl.	
铸铁端盖	Cast iron endshields.	
聚丙烯玻璃纤维风扇	Polypropylene,glass reinforced fan.	
电机专用轴承	Equivalent bearings.	
特性		Features
电机尺寸和额定功率符合IEC60072	Dimensions and ratings to IEC60072	
GB/T4772.1-4772.3	GB/T4772.1-4772.3	
IP55	IP55	
接线盒在上面	Top mounted terminal box.	
接线盒可90°旋转	Terminalbox rotates in 90 deg	
冷却方式IC411	Cooling IC411	
安装		Mounting
B3-卧式底脚安装	B3-foot mounted	
B5-卧式凸缘安装	B5-flange mounted-horizontal.	
B35-底脚凸缘安装	B35-foot And flange mounted	
V1-立式凸缘安装	V1-flang mounted-vertical	

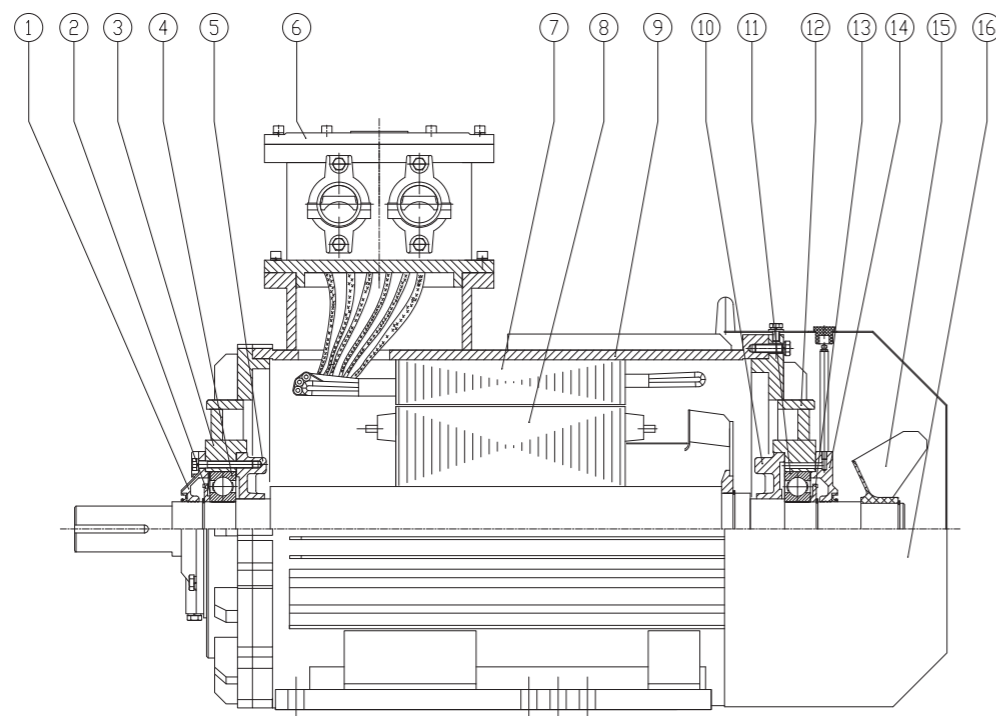


装配图及零部件明细表 Arrangement And Parts List

YBX5 315~355FRAME

零部件名称 Parts Description		
1	驱动端轴承外盖	Outer bearing cap D.E.
2	驱动端甩油盘	Flinger D.E.
3	驱动端端盖	Endshield D.E.
4	驱动端轴承	Bearing D.E.
5	驱动端轴承内盖	Inner bearing cap D.E.
6	接线盒	Terminal box
7	定子铁芯	Stator lamination pack.
8	转子铁芯	Rotor lamination pack.
9	机座	Frame
10	非驱动端轴承内盖	Inner bearing cap N.D.E.
11	非驱动端轴承	Bearing N.D.E.
12	非驱动端端盖	Endshield N.D.E.
13	非驱动端甩油盘	Flinger N.D.E.
14	非驱动端轴承外盖	Outer bearing cap N.D.E.
15	风扇	Fan
16	风罩	Fan cowl

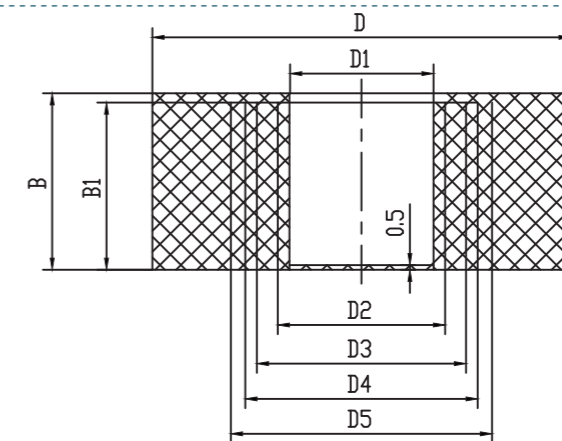
基本结构说明 Specifications standard construction	
铸铁机座和接线盒	Cast iron frame,terminal box.
钢板冲压风罩	Pressed steel fan cowl.
铸铁端盖	Cast iron endshields.
聚丙烯玻璃纤维风扇	Polypropylene,glass reinforced fan.
电机专用轴承	Equivalent bearings.
特性 Features	
电机尺寸和额定功率符合IEC60072	Dimensions and ratings to IEC60072
GB/T4772.1-4772.3	GB/T4772.1-4772.3
IP55	IP55
接线盒在上面	Top mounted terminal box.
接线盒可90°旋转	Terminalbox rotates in 90 deg
冷却方式IC411	Cooling IC411
安装 Mounting	
B3-卧式底脚安装	B3-foot mounted
B35-底脚凸缘安装	B35-foot And flange mounted
V1-立式凸缘安装	V1-flang mounted-vertical



防护等级 Degrees of Protection(IEC 60034-5)

符号 Designation	第一位数字 First numeral	第二位数字 Second numeral
	防止固体异物进入内部及防止人体触及内部的带电或运动部分。 Protection against contact and ingree of foreign bodies, protection against hazardous" live" parts and moving mechanical parts.	防护水 Protection against water
	5.虽不能完全防止灰尘进入,但进尘量不足以影响电机正常运行。能防止触及或接近壳内带电或转动部分。 Ingree of dust is not totally prevented, but dust shall not interfere with the satisfactory operation of equipment. A probe of 1mm diameter shall not penetrate the enclosure.	5.任何方向的喷水对电机应无有害的影响。 Water projected in jets against the enclosure from any direction will have no harmful effects.
	6.完全防止灰尘进入机壳。 No ingress of dust.	6.强力喷水时电机应无有害影响。 Water projected in power jets shall have no harmful effects.
IP55	防尘 Dust protected	防喷水 Jetting water
IP56	防尘 Dust protected	防强力喷水 Powerful Jetting
IP65	尘密 Dust tight	防喷水 Jetting water
IP66	尘密 Dust tight	防强力喷水 Powerful Jetting

密封圈尺寸 Size of sealing ring (适用于隔爆型电动机 YB3、YBX3、YBBP、YBK3)



机座号	尺寸							
	D1	D2	D3	D4	D5	D	B1	B
80-112	φ14	φ20	φ25			φ42	24	26
132-160	φ14	φ20	φ26	φ31	φ35	φ58	24	26
180-200	φ20	φ26	φ32	φ38	φ42	φ72	30	32
225-355	φ25	φ31	φ36	φ45	φ50	φ90	36	38

说明：机座号为225-355 电机有两个出线口。

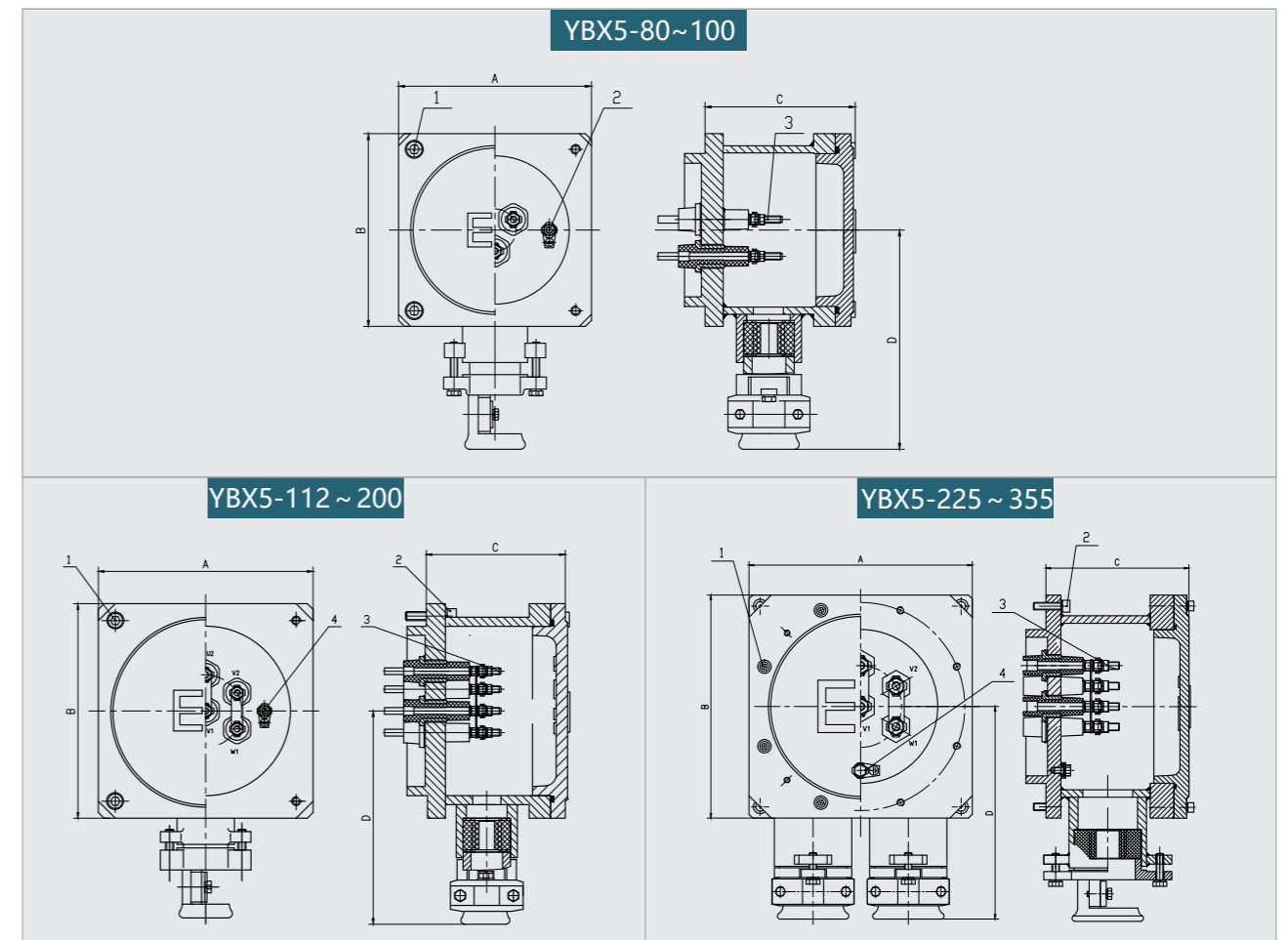
安装型式 Mounting Arrangements

卧式底脚安装 Foot mig horiz	凸缘安装 Flange mig	底脚凸缘安装 Foot/Flange mig	立式底脚安装 Foot mig vert
B3 IM1001 H80 ~ 355	B5 IM3001 H80 ~ 280	B35 IM2001 H80 ~ 355	
B6 IM1051 H80 ~ 160	V1 IM3011 H80 ~ 355	V15 IM2011 H80 ~ 160	V5 IM1011 H80 ~ 160
B7 IM1061 H80 ~ 160	V3 IM3031 H80 ~ 160	V36 IM2031 H80 ~ 160	V6 IM1031 H80 ~ 160
B8 IM1071 H80 ~ 160			

接线指示图 鼠笼式三相电动机 Connection Diagrams Three phase motors with cage rotor

Y接 Star Connection	△接 Delta Connection	Y-△启动连接 Star-Delta Connection

上出线接线盒 Top Terminal Box

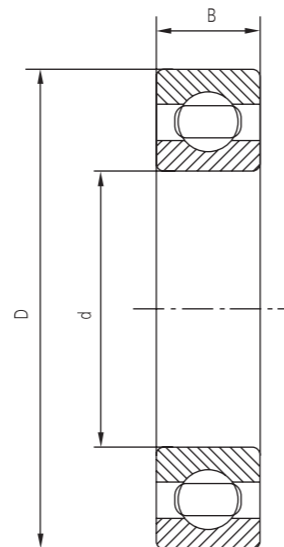


机座号 Frame	A	B	C	D	1	2	3	4	钢管布线尺寸	接线盒规格
YBX5-80-90	160	160	125	182	M8x25	M8x35	M5	M5	M30x2	M5小
YBX5-100	190	190	125	204	M8x25	M8x35	M5	M5	M30x2	M5小
YBX5-112	190	190	125	204	M8x25	M8x35	M5	M5	M30x2	M5
YBX5-132-160	210	210	155	201	M10x40	M10x40	M6	M6	M36x2	M6
YBX5-180-200	240	240	170	255	M8x40	M10x40	M8	M8	M48x2	M8
YBX5-225-280	300	300	195	286	M8x40	M10x40	M10	M10	2xM64x2	M10
YBX5-315	400	400	250	330	M12x40	M12x40	M16	M12	2xM64x2	M16
YBX5-355	400	400	250	330	M12x40	M12x40	M24	M12	2xM64x2	M24

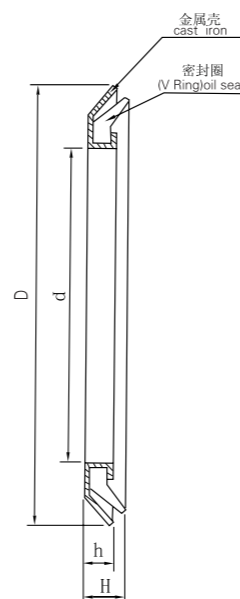
轴承、密封和润滑 Bearing、Seal & Lubrication

电机型号 Motor type	轴伸端 DE	非轴伸端 NDE	d	D	B
YBX5-80	6204ZZ	6204ZZ	20	47	14
YBX5-90	6205ZZ	6205ZZ	25	52	15
YBX5-100	6206ZZ	6206ZZ	30	62	16
YBX5-112	6306ZZ	6306ZZ	30	72	19
YBX5-132	6308ZZ	6308ZZ	40	90	23
YBX5-160	6309	6309	45	100	25
YBX5-180	6311	6311	55	120	29
YBX5-200	6312	6312	60	130	31
YBX5-225	6313	6313	65	140	33
YBX5-250	6314	6314	70	150	35
YBX5-280 2P	6314	6314	70	150	35
YBX5-280 4-8P	6317	6317	85	180	41
YBX5-315 2P	6316	6316	80	170	39
YBX5-315 4-8P	6319	6319	95	200	45
YBX5-355(2P) (B3,B35)	6319	6319	95	200	45
YBX5-355(2P)V1	6319	7319	95	200	45
YBX5-355(4-8P) (B3,B35)	6322	6322	110	240	50
YBX5-355(4-8P)V1	6322	7322	110	240	50
YBX5-35512(2P) (B3,B35)	6319	6319	95	200	45
YBX5-35512(4-8P) (B3,B35)	6322	6322	110	240	50
YBX5-35512(2P) V1	6319	7319	95	200	45
YBX5-35512(4-8P) V1	6322	7322	110	240	50

轴承数据
bearing data



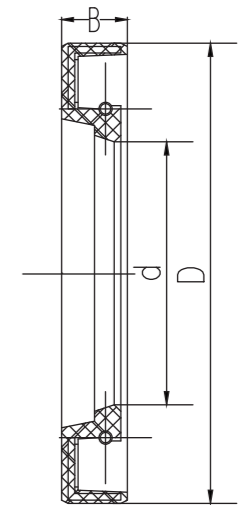
电机型号 Motor type	油封规格 Oil seal size	d	D	h	H
YBX5-80	RB20x35x4.0	Φ20	Φ35	3	6
YBX5-90	RB25x40x4.0	Φ25	Φ40	3	6
YBX5-100	RB30x47x4.5	Φ30	Φ47	3.5	6.5
YBX5-112	RB30x47x4.5	Φ30	Φ47	3.5	6.5
YBX5-132	RB40x57x4.5	Φ40	Φ57	3.5	6.5
YBX5-160	RB45x62x4.5	Φ45	Φ62	3.5	6.5
YBX5-180	RB55x75x5.5	Φ55	Φ75	4.5	6.5
YBX5-200	RB60x80x5.5	Φ60	Φ80	4.5	6.5
YBX5-225	RB65x85x5.5	Φ65	Φ85	4.5	8
YBX5-250	RB70x90x5.5	Φ70	Φ90	4.5	8
YBX5-280-2	RB70x90x5.5	Φ70	Φ90	4.5	8
YBX5-280-4.6.8	RB85x105x5.5	Φ85	Φ105	4.5	8
YBX5-315-2	RB80x100x5.5	Φ80	Φ100	4.5	8
YBX5-315-4.6.8	RB95x115x5.5	Φ95	Φ115	4.5	8
YBX5-35512(2P)	RB95x115x5.5	Φ95	Φ115	4.5	8
YBX5-35512(4-8P)	RB110x130x5.5	Φ110	Φ130	4.5	8



轴承、密封和润滑 Bearing、Seal & Lubrication

电机型号 Motor type	驱动端 (D.E.)			非驱动端 (N.D.E.)		
	d	D	B	d	D	B
YBX5-80	20	35	5	20	35	5
YBX5-90	25	40	5	25	40	5
YBX5-100	30	52	7	30	52	7
YBX5-112	30	52	7	30	52	7
YBX5-132	40	62	5	40	62	5
YBX5-160	45	65	8	45	65	8
YBX5-180	55	75	8	55	75	8
YBX5-200	60	80	8	60	80	8
YBX5-225	65	85	10	65	85	10
YBX5-250	70	95	10	70	95	10
YBX5-280-2	70	95	10	70	95	10
YBX5-280-4.6.8	85	110	12	85	110	12
YBX5-315-2	80	100	10	80	100	10
YBX5-315-4.6.8	95	120	12	95	120	12
YBX5-355-2	95	120	12	95	120	12
YBX5-355-4.6.8	110	140	12	110	140	12
YBX5-35512(2P)	95	120	12	95	120	12
YBX5-35512(4-8P)	120	150	12	120	150	12

油封数据
oil seal data



- 电机配备了优质供应商制造的轴承，轴承采用C3游隙。
Motors are equipped with bearings from excellent manufacturers. In general the bearings have C3 clearances.
- 80~132机座号电动机装有封闭轴承。
Motors of frame sizes 80-132 are fitted with closed bearings.
- 160~355机座号电动机装有开放式轴承并带有注油装置。开放式轴承必须依据润滑脂的有效寿命按时加油，以便使轴承达到预期寿命。
Motors of frame sizes 160-355 are fitted with open bearings and regreasing device. Depending on the useful life of grease, open bearings must be regreased in good time so that the scheduled bearing service life is reached.

电机型号 Motor type	轴伸端轴承 DE Bearing	非轴伸端轴承 NDE Bearing	添加润滑脂的期限 (运行小时数, 70°C以下) Regreasing period hours for operating temperatures up to 70°C			轴承室所需润滑脂用量 Quantity of grease in bearing chamber g
			n < 3600r/min	n < 1800r/min	n < 1200r/min	
			YBX5-160	6309	6309	
YBX5-180	6311	6311	4000	9000	14000	15
YBX5-200	6312	6312	3500	6500	11000	20
YBX5-225	6313	6313	3000	5500	8500	22
YBX5-250	6314	6314	2000	5000	8000	23
YBX5-280 2P	6314	6314	1200	-	-	30
YBX5-280 4-6P	6317	6317	-	4000	6000	35
YBX5-315 2P	6316	6316	1200	-	-	30
YBX5-315 4-6P	6319	6319	-	2000	3000	45
YBX5-355(2P) (B3,B35)	6319	6319	-	-	-	30
YBX5-355(2P)V1	6319	7319	1200	-	-	30
YBX5-355(4-8P) (B3,B35)	6322	6322	-	1400	2200	60
YBX5-355(4-8P)V1	6322	7322	-	1400	2200	60
YBX5-35512(2P) (B3,B35)	6319	6319	1200	-	-	30
YBX5-35512(4-8P) (B3,B35)	6322	6322	-	1400	2200	60
YBX5-35512(2P) V1	6319	7319	1200	-	-	30
YBX5-35512(4-8P) V1	6322	7322	-	1400	2200	60

- 注：1. 立式电动机添加润滑脂的时间应该是上述卧式电动机时间的一半。
Vertical motors should be greased twice as often as horizontal motors.
2. 当轴承运行温度超过70°C时，重新添加润滑脂的时间应该缩短。
Regreasing time should be reduced if bearing operating temperature is in excess of 70°C.

主要产品介绍 Main Product Introduction

YE3系列三相异步电动机 (H80-355)	YE3 Series 3-Phase Asynchronous Motor
YE4系列三相异步电动机 (H80-355)	YE4 Series 3-Phase Asynchronous Motor
YE5系列三相异步电动机 (H80-355)	YE5 Series 3-Phase Asynchronous Motor
YE3系列高温消防排烟风机专用电机 (H80-355)	YE3 Series Special Motor for Smoke and Heat Exhaust Ventilators
Y-H系列船用三相异步电动机 (H63-355)	Y-H Series 3-Phase Asynchronous Motor In Ships
YD系列变极多速三相异步电动机 (H80-315)	YD Series 3-Phase Multi-Speed Motor
YDT系列通风机用多速三相异步电动机 (H80-315)	YDT Series Ventilator used 3-Phase Multi-Speed Motor
YVF2系列变频调速三相异步电动机 (H80-355)	YVF2 Series Frequency Control 3-Phase Asynchronous Motor
YH系列高转差率三相异步电动机 (H80-315)	YH Series High Slip 3-Phase Asynchronous Motor
Y-W系列户外型三相异步电动机 (H80-355)	Y-W Series Outdoor used 3-Phase Asynchronous Motor
YT系列轴流式通风机用三相异步电动机 (H80-132)	YT Series Ventilator used 3-Phase Asynchronous Motor
1L(IP23)系列三相异步电动机(H160-355)	1L(IP23) Series 3-Phase Asynchronous Motor
Y(IP23) 系列三相异步电动机 (H400-500)	Y(IP23) Series 3-Phase Asynchronous Motor
YZS系列起重用三相异步电动机 (H160-225)	YZS Series Crane 3-Phase Asynchronous Motor
YEJ系列电磁制动三相异步电动机 (H80-225)	YEJ Series Electromagnetic Braking 3-Phase Asynchronous Motor
YBK3系列煤矿井下用隔爆型三相异步电动机(H80-355)	YBK3 Series Flameproof 3-Phase Asynchronous Motor for Coal Mines
HM3系列三相异步电动机 (H80-355)	HM3 Series 3-Phase Asynchronous Motor
HM4系列三相异步电动机 (H80-355)	HM4 Series 3-Phase Asynchronous Motor
YB2-H、YB3-H系列船用隔爆型三相异步电动机(H80-355)	YB2-H、YB3-H Series Flameproof 3-Phase Asynchronous Motor For Ships
YBBP系列隔爆型变频调速三相异步电动机(H80-355)	YBBP Series Flameproof Frequency Control 3-Phase Asynchronous Motor
YBX3系列高效率隔爆型三相异步电动机(H80-355)	YBX3 Series High Efficiency Flameproof 3-Phase Asynchronous Motor
YBX4系列高效率隔爆型三相异步电动机(H80-355)	YBX4 Series High Efficiency Flameproof 3-Phase Asynchronous Motor
YBX5系列高效率隔爆型三相异步电动机(H80-355)	YBX5 Series High Efficiency Flameproof 3-Phase Asynchronous Motor
YFB3系列粉尘防爆型三相异步电动机(H80-355)	YFB3 Series Dust Explosion-Proof 3-Phase Asynchronous Motor
YFB4系列粉尘防爆型三相异步电动机(H80-355)	YFB4 Series Dust Explosion-Proof 3-Phase Asynchronous Motor
YFB5系列粉尘防爆型三相异步电动机(H80-355)	YFB5 Series Dust Explosion-Proof 3-Phase Asynchronous Motor
Y3系列三相异步电动机 (H355-450)	Y3 Series 3-Phase Asynchronous Motor
Y系列高压三相异步电动机 (H355-800)	Y Series High-Voltage 3-Phase Asynchronous Motor
YKK系列高压三相异步电动机 (H355-800)	YKK Series High-Voltage 3-Phase Asynchronous Motor
Y2系列高压三相异步电动机 (H355-560)	Y2 Series High-Voltage 3-Phase Asynchronous Motor
YX系列高效高压三相异步电动机 (6KV, H355-630)	YX Series High Efficiency High-Voltage 3-Phase Asynchronous Motor
YX系列高效高压三相异步电动机 (10KV, H400-630)	YX Series High Efficiency High-Voltage 3-Phase Asynchronous Motor
YR系列高压绕线转子三相异步电动机 (H355-1000)	YR Series High-Voltage 3-Phase Wound Rotor Asynchronous Motor
YRKK系列高压绕线转子三相异步电动机 (H355-1000)	YRKK Series High-Voltage 3-Phase Wound Rotor Asynchronous Motor
YFSS系列双馈异步风力发电机 (H450-630)	YFSS Series Doubly Fed Induction Windmill Generator
YFWK系列双馈异步风力发电机 (H500)	YFWK Series Doubly Fed Induction Windmill Generator

客户合作 Cooperative Partner

