



山东华力电机集团股份有限公司
SHANDONG HUALI ELECTRIC MOTOR GROUP CO.,LTD.

订货须知 Ordering instruction

本样本仅供用户参考，具体数据内容有变动，订货请惠于联系。

This catalogue is only a reference for users. The data may be changed, please contact us before ordering.

订货时请详细说明产品型号，额定功率，同步转速，电压及频率，绝缘等级，安装结构型式等。

Please type rated output, synchronous speed, voltage and frequency, insulation class, mounting type etc, when ordering.

如有特殊要求，经双方协议后，还可供应其它特殊规格电机。

For special requirement, please contact us, we may supply special type of motor.

山东华力电机集团股份有限公司
SHANDONG HUALI ELECTRIC MOTOR GROUP CO., LTD.
地址：山东省荣成市荣昌路9号
Add:No.9 Rongchang Road,Rongcheng,Shandong
邮编(P.C.):264300
办公室(Office):0631-7551153
经营计划部(Tel): 0631-7551307
Sales Dept(Tel): 0631-7551307
传真(Fax): 0631-7553744
产品开发部（总部）：0631-7587026 7587027
Department of technology: 0631-7587026 7587027
售后服务部：0631-7555999
Technical service(Tel):0631-7555999
Http://www.hualimotor.com.cn
E-mail:info@hualimotor.com.cn

山东华力电机集团苏州制造有限公司
SHANDONG HUALI ELECTRIC MOTOR SUZHOU
MANUFACTURE CO., LTD.
地址：江苏省苏州市新区泰山路188号
Add:No.188, Taishan Road, Suzhou City, Jiangsu
邮编(P.C.):215011
办公室(Office): 0512-88186811
传真(Fax): 0512-88186810
经营计划部：0512-88186833
Sales Dept(Tel): 0512-88186833
传真(Fax): 0512-88186832
开发部(Tel): 0512-88186834
Department of Technology:0512-88186834

山东华力电机集团荣成工业新区
HUALI GROUP RONGCHENG NEW INDUSTRY DISTRICT
地址：山东省荣成市富源南路89号
Add:No.89 Fu Yuan South Road,Rongcheng,Shandong
邮编(P.C.):264300
进出口部(Tel): 0631-7551302
传真(Fax): 0631-7581937
Import & Export Dept (Tel): 0631-7551302
产品开发部（园区）：0631-7527221
Department of Technology: 0631-7527221

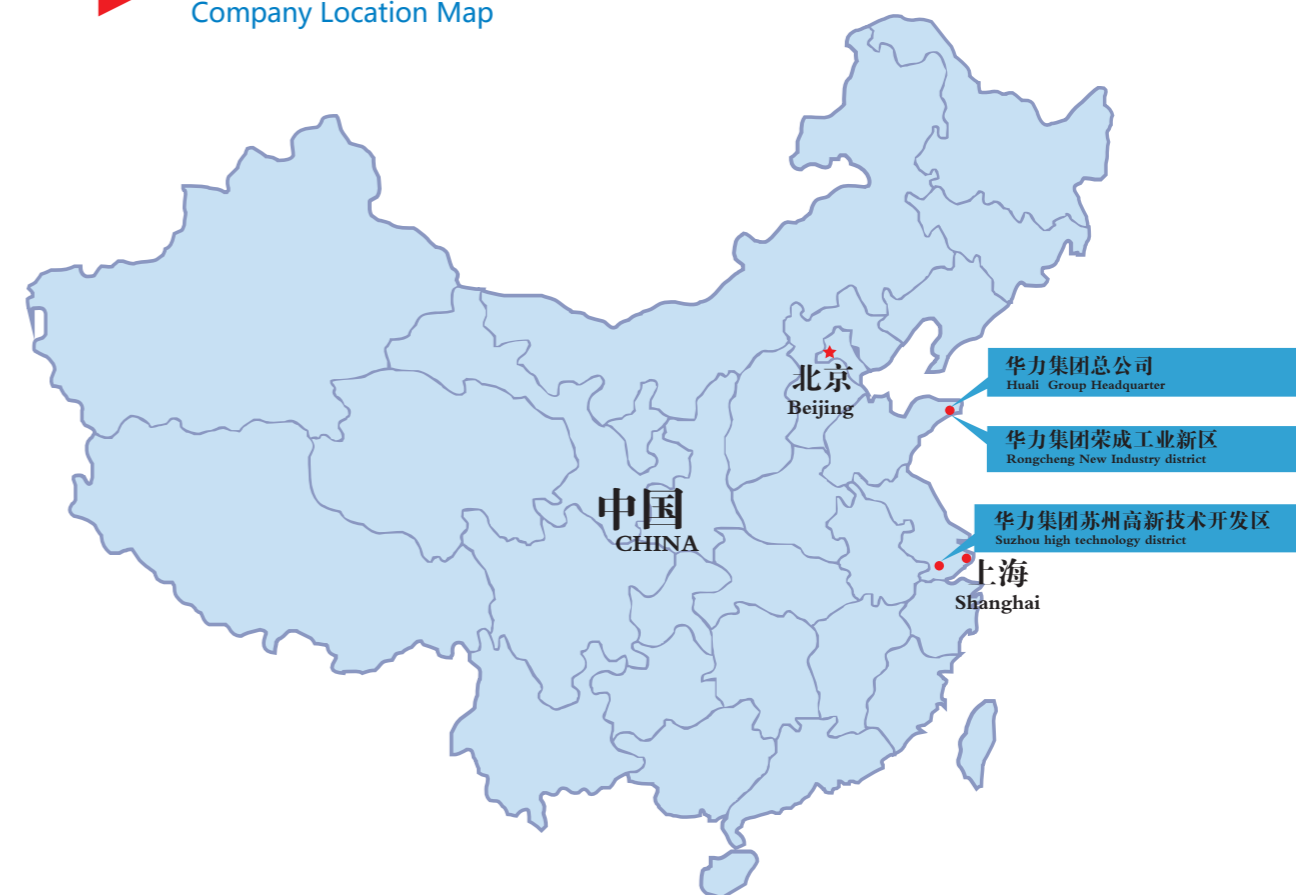
2021年1月



销售地区分布图 Sales Area Distribution Map



总公司地理位置图 Company Location Map



华力电机-永不衰竭的动力
HUALI MOTOR, NON-STOP MOTIVITY

企业简介 Introduction

山东华力电机集团股份有限公司创立于1970年，经过持续稳步发展，已成为集科研、生产、营销、服务于一体的现代化企业集团。公司下辖荣成崂山工业区、荣成工业新区及苏州工业新区三处制造企业，年生产能力120万台、2000万KW，是全球电机行业具有规模和实力的制造企业之一。

华力集团技术力量雄厚，建有山东省企业技术中心、山东省稀土永磁电机工程技术研究中心，构建起以低压电机为支撑，高压、低压大功率、特种电机为发展方向的产品格局。产品涵盖了YE4系列、YE3系列、YE2系列、HM2系列、YBX3系列、YFB3系列、YBK3系列、YBBP系列、YB3系列、YVF3系列、YVF2系列、YVF系列、YKK系列、YKS系列等（通用、防爆、船用、起重、冶金、变频、高压、风力发电等）40多个系列11000多个规格，是全球品种、规格齐全的电机制造厂家之一。公司拥有先进的生产检测设备，建立起完善的质量、环境管理体系，通过了ISO9001、ISO14001、CCC、CQC、CE、UL等多项认证认可。

公司坚持“占科技高点、拓全球市场”的发展战略，构筑起国内国际两大市场板块。在全国50多个大中城市建立起仓储式销售分公司，形成了快捷、高效的市场营销和服务网络，产品同时销往欧洲、亚洲、非洲、美洲等40多个国家和地区。企业规模及综合经济效益位居全球电机行业前列。

创新的理念，先进的技术，卓越的品质，优质的服务和华力人团结奋进的精神，凝聚成企业不断壮大发展的动力。“创百年华力，树世界品牌”的企业目标正在努力实现！

Since its founding in 1970, through sustained and steady development, it is now a modern enterprise with its own production, distribution, R&D and customer service teams. Huali has built three manufacturing enterprises: Rongcheng Laoshan Industrial Area, Rongcheng Industrial New Area and Suzhou Industrial Area. The annual production capacity is 1.2 million motors (20 million KW), Huali is one of the manufacturing enterprises of global motor industry with scale and strength.

Huali group has strong technical force, established Shandong enterprise technology center and Shandong province rare earth permanent magnet motor engineering technology research center, build a product pattern with low-voltage motor as support, high-voltage, low-voltage high-power and special motor as development direction. Our products includes high voltage and low voltage about 11,000 varieties types in more than 40 major series such as, YE4, YE3, YE2, HM2, YBX3, YFB3, YBK3, YBBP, YB3, YVF3, YVF2, YVF, YKK, YKS (General, Explosion Proof, Marine, lifting, metallurgy, frequency conversion High Voltage, Wind power generation etc). It is one of the motor manufacturers of the global varieties and complete specifications. Our company has advanced production testing equipment, establish a sound quality and environmental management system. We have passed a number of accreditation such as: ISO9001, ISO14001, CCC, CQC, CE, UL etc.

The company insists on the development strategy of "Occupying the high point of science and technology, Expanding the global market", and constructs two major market plates of domestic and international. Store sales branches have been established in more than 50 large and medium-sized cities throughout the country, which created a highly efficient sale and service network. The products are also sold to more than 40 countries and regions such as Europe, Asia, Africa and America. The scale and comprehensive economic benefits of the enterprises rank in the forefront of the global motor industry.

Innovative ideas, advanced technology, excellent quality, high quality service and the spirit of unite and endeavour of Huali people, condensed into a continuous growth and development of the enterprise power. With such power, Huali and its people will make the dream that "Creating a centennial Huali, Establishing a global brand" are being come true!





中国船级社
CHINA CLASSIFICATION SOCIETY

证书编号/Certificate No.
QD20PTB00013

型式认可证书
CERTIFICATE OF TYPE APPROVAL

兹证明本证书所述制造厂具备按照下列标准的要求生产本证书所列产品的能力和条件。
This is to certify that the manufacturer stated in the certificate meets the requirements of the standards listed below and is available with the ability and conditions to produce the products described in the certificate.

制造厂/Manufacturer

山东华力电机集团股份有限公司
Shandong Huali Electric Motor Group Co.,Ltd.

地址/Address

山东省威海市荣成市荣昌路9号/山东省威海市荣成市富源南路89号
No.9 Rongchang Road, Rongcheng, Weihai, Shandong Province /No.89 Fuyuan South Road, Rongcheng, Weihai, Shandong Province

产品名称/Product

电动机
Electric Motor

附加标志/Notations

无/Nil.

认可标准/Approval Standard

1. 中国船级社《钢质海船入级规范》（2018）及其修改通报第4篇第3章
Chapter 3, Part Four of China Classification Society Rules for Classification of Sea-Going Steel Ships 2018 and its Amendments

用于/Intended for

船舶与海上设施/Ships and Offshore Installations

产品明细/Product Description

电动机/Electric Motor (M0001)

名称/Name	属性(值)/Value	单位/Unit
型号/Type	见附页 See additional page(s)	
额定功率/Rated Power	见附页 See additional page(s)	kW
额定电压/Rated Voltage	见附页 See additional page(s)	V
额定电流/Rated Current	见附页 See additional page(s)	A
额定频率/Rated Frequency	见附页 See additional page(s)	Hz
额定转速/Rated Speed	见附页 See additional page(s)	r/min

证书有效期至/This Certificate is valid until 2024年04月27日/ Apr. 27,2024

发证机构/Issued by 中国船级社青岛分社
CCC Qingdao Branch

签发日期/Date 2020年06月05日
Jun. 05,2020

本证书根据中国船级社规范和相关规定签发。所有证书页为一个整体，必须同时使用。纸质证书每页均须由本社盖章方为有效，电子证书含数字签名方为有效，本证书复印件无效。任何单位和个人均不应摘录或节选本证书的部分内容。有关方对所持证书的真实性有疑问时，可向本社检验机构咨询。This Certificate is issued pursuant to the Rules of the Society and related regulation. All pages of the certificate are taken as a whole and are used simultaneously. No paper certificate page is valid without bearing the stamp of the Society, no electronic certificates is valid without the digital signature, and no copied form of the certificate is regarded as valid. Any part of the certificate is not to be extracted or abridged by any unit or individual in any form. Related parties who are doubted about the authenticity of the certificate may inquire of the Society or its offices.



Form No: T01. 联系方式/Contact Us, 见本社官方网站/See official web site of the Society (<http://www.ccs.org.cn>)

UTN:P020-34658014

证书编号/Certificate No. QD20PTB00013

绝缘等级/Insulation Class	见附页 See additional page(s)
工作定额/Ration	见附页 See additional page(s)
外壳防护等级/Degrees of Protection	见附页 See additional page(s)

批准的图纸/Approved Drawings

图纸批准号/Drawings Approval No.: 见备注栏/See Remarks

产品认可试验报告/ Approval Test Report

试验报告编号/ Test Report No.: 20156
试验报告日期/ Test Report Date: 2020-04-27

认可后的产品检验方式/ Method of Product Inspection after Approval

按规范只认可不进行产品检验的产品/The product approved only in term of the rules: (50kW以下非防爆电机/The non-explosion-proof motors rated below 50kW)
认可后的产品检验由制造厂按本社批准的产品检验计划进行检验，经检验合格后由制造厂签发合格证明，并连同该产品的本社认可证书复印件一并交付用户，制造厂对产品符合公约、法规、本社规范和本社认可的标准规定负责。After approval, product inspection should be carried out by the Manufacturer in accordance with the product inspection scheme approved by the Society. Upon satisfactory inspection, and the Quality Certificate issued by the Manufacturer should be provided to the purchaser together with the copy of the approval certificate issued by the Society. The manufacturer should take responsibility for the product being in compliance with the convention, statutory regulation, the Society rules and the standard accepted by the Society.
按规范认可后应进行产品检验的产品/The product should be inspected in term of the rules: rules: (50kW及以上电机和防爆电机/The motors rated at 50kW or above and the explosion-proof motors)
认可后的产品检验应由本社验船师根据本社规范规定按批准的产品检验计划进行检验，经检验合格后由本社颁发船用产品证书。After approval, product inspection should be carried out by the Surveyor of the Society in accordance with the approved product inspection scheme, and the Marine Product Certificate will be issued by the Society upon satisfactory inspection.

认可保持条件/ Maintenance Requirements of Approval

1. 型式认可后，如果产品及其重要零部件的设计、所用材料或制造方法有所改变，且影响到产品的主要特性、特征；或产品的性能指标有所更改，且超过认可的范围，则有关图纸和文件应经检验机构审批。并在检验机构认为必要时，经本社检验人员见证有关试验和进行检查，其结果应能证实仍符合认可条件。After type approval, if there are changes to the design, materials used or manufacturing method of the product and important components and such changes affect major characteristics and properties of the product, or property indexes of the product are changed and exceed the scope of approval, related drawings and documents are to be examined and approved by the concerned survey office. Where deemed necessary by the survey office, the surveyor to the Society will go to witness relevant tests and conduct inspection and the results should be able to demonstrate compliance with the approval conditions.
2. 工厂的质量管理体系应保持有效运行，并且与认可时一致。如果质量管理体系发生改变，应经原体系认证机构审核并报本社批准。The quality management system of the factory shall be ensure effective operation, and shall be the same as the situation of approval. If there are any changes to the quality management system, auditing of the original certification organization for quality management system and the society's approval shall be obtained.
3. 认可证书有效期内，如果出现可能导致本社取消认可的情况，工厂应及时采取有效的纠正措施。Within the validity of the approval certificate, if cases occur that may cause the Society to withdraw the approval, the manufacturer should take corrective actions in a prompt and effective manner.
4. 在认可证书有效期内，本社检验人员可在未经事先通知的情况下对工厂的产品制造过程进行审核，以验证产品的生产是否符合业经本社批准的图纸和文件。工厂应予以配合。Within the validity of the approval certificate, the surveyor to the Society may pay unannounced audit to the manufacturing process of the product in order to confirm whether it is in compliance with the drawings and documents approved by the Society. The factory should provide an active cooperation and necessary for the surveyor.
5. 如果属于获得型式认可B 模式证书，且无需颁发船用产品证书/等效证明文件的情况，证书获得者应接受本社每年一次的定期审核，定期审核日为认可证书期满之日对应的每一周年日，检查工作应在周年日的前后三个月内进行。

证书编号/Certificate No. **QD20PTB00013**

If belong to the situation of the product has type approval mode B certificate, and marine product certificate/equivalent document is not necessary, those who have obtained the certificate should be subject to periodical audit every year. The date of periodical audit shall be each anniversary date which corresponds to the date of expiry of the relevant certificate and the periodical audit shall be done within a time span of three months before and after the annual surveillance date.

备注/Remarks

1. 图纸批准号/Approval No. of drawings: QDA03220006~8, QD07A00098, QD09A00002, QD16A00012, QD19PPP20175, QD20PPP20049
2. 本认可产品的防爆性能参数基于制造厂提交的防爆合格证(签发机构: 国家防爆电气产品质量监督检验中心, 证书号: CNEx18.1411~1423, 防爆标准: GB3836.1-2010, GB3836.2-2010), 非中国船级社认可。
The Ex-Proof parameters of the approved products originate from Ex-Certification received from manufacturer (Issuing Body: National explosion proof electrical product quality supervision and Inspection Center, Ex-Certification No.: CNEx18.1411~1423, Standards for Ex-Proof:GB3836.1-2010, GB3836.2-2010), not approved/inspected by CCS.
3. 本认可产品应持有有效的防爆合格证, 否则本证书将自动失效。
This Type Approval Certificate will be invalid if the approved products do not hold valid Ex-Certificate.
4. 本社已审核了产品厂无石棉声明, 但本社的审核不免除产品厂按照合同关系向订货方保证产品无石棉的责任。
The declaration of asbestos-free submitted by manufacturer has been reviewed by the Society. However, liability of the manufacturer to guarantee the products are asbestos-free to purchaser under contract will not be exempted.
5. 本证书由原型式认可证书(No. QD16T00014)变更并换新。
This certificate is modified and renewed from the previous Type Approval Certificate No. QD16T00014.

中国船级社青岛分社
CCS Qingdao Branch

注: 本证书含有附页, 共15页
Note: The certificate is attached with additional 15 page(s)

目 录
Introduction

08

Y-H、YD-H 系列船用单、双速三相异步电动机

Y-H、YD-H series of single and double speed three-phase asynchronous motor

26

YVF2-H 系列变频调速三相异步电动机

YVF2-H Series Convertor-Fed Three-Phase Induction motor

40

YB3-H 系列船用隔爆型三相异步电动机

YB3-H series of Marine flameproof three-phase asynchronous motor

54

CY-H 系列船用三相异步电动机

CY-H series Marine three-phase asynchronous motor

▶ Y-H、YD-H 系列船用单、双速三相异步电动机

Y-H, YD-H series of single and double speed three-phase asynchronous motor



◆ 产品概述 Product Introduction

Y-H、YD-H 系列船用单、双速三相异步电动机适用于船舶及其它海上设施，作为驱动泵类、通风机械、分离器、液压机械及其他辅助设备用的三相异步电动机。设计标准符合 JB/T 5273-2014《Y-H 系列船用三相异步电动机技术条件（机座号 80~355）》以及 JB/T 7127-2010《YD 系列变极多速三相异步电动机技术条件（机座号 80~280）》。通过中国船级社 CCS 认证。

Y-H, YD-H series of single and double speed three-phase asynchronous motor are suitable for ships and other offshore facilities, as the three-phase asynchronous motor used to drive pumps, ventilation machinery, separators, hydraulic machinery and other auxiliary equipment. The design standards are in line with JB/T 5273-2014 "Y-H series Marine three-phase asynchronous motor technical conditions (frame size 80~355)" and JB/T 7127-2010 "YD series pole-changing multi-speed three-phase asynchronous motor technical conditions (frame size 80~280)". Through the China Classification Society CCS certification.

◆ 详细说明 Specification

◆ 现场条件

电动机环境温度最低为 0℃，环境温度最高为 45℃。环境空气最大相对湿度为 95%。

◆ 温升和绝缘

电动机按 F 级绝缘设计（155℃），按 B 级绝缘考核（80K），电动机的使用寿命和可靠性得到保证。

◆ 冷却和通风

标准冷却方式为全封闭自扇冷。标准电机装有辅流式铝风扇。符合 IEC60034-6 中 IC411 的规定。

◆ 防护等级

电动机的防护等级为 IP55，可用于含尘或潮湿环境。

◆ 电压、频率

标准电机电压为 380/440V，50/60HZ。也可根据需要设计其它电压规格的电动机。在供电电压偏离额定电压 -10% ~ 6%，频率 ±5% 的情况下，仍能良好运行。

◆ 接线盒位置

接线盒在机座上方或右侧

◆ 质量保证

从产品设计到产品出厂，遵循 ISO9001 质量认证体系，严格遵守质量程序。

◆ Site conditions

The lowest ambient temperature of the motor is 0 °C, and the highest ambient temperature is 45°C. The maximum relative humidity of ambient air is 95%.

◆ Temperature and insulation

The motor is designed according to F class insulation (155 °C), and examined according to B class insulation (80K). The service life and reliability of the motor are guaranteed.

◆ Cooling and ventilation

The standard cooling method is fully enclosed self-fan cooling. Standard motors are equipped with auxiliary flow aluminium fans. Comply with the requirements of IC411 in IEC60034-6.

◆ Protection class

The motor has a protection rating of IP55 and can be used in dusty or humid environments.

◆ Voltage and frequency

The standard motor is 380/440V, 50/60HZ. Other voltage specifications can also be designed according to the needs of the motor. It still works well when the supply voltage deviates from the rated voltage by -10% ~ 6%, and frequency from -5% ~ 5%.

◆ Terminal box location

Terminal box location
The terminal box is on the TOP or on the right side of the frame

◆ Quality assurance

From product design to product delivery, we follow the ISO9001 quality certification system and strictly follow the quality procedures.

技术数据 Technical Data

Y-H 系列船用三相异步电动机

Y-H series marine three-phase asynchronous motor

产品型号 Type	额定电压 Rated Voltage (220V~690V)			额定功率 Rated power (kW)	绝缘等级 Insulation class	工作定额 Rating	外壳防护等级 Degree of protection	图纸批准号 Drawings Approval No.
	额定电流 Rated Current (A)	额定频率 Rated frequency (50Hz)	额定频率 Rated frequency (60Hz)					
		额定转速 Rated speed (r/min)	额定转速 Rated speed (r/min)					
Y631-2-H	1.1~0.35	2655	3188	0.18	F/H	S1	IP44/IP55/IP56	QDA03220006~8
Y632-2-H	1.5~0.48	2664	3197	0.25	F/H	S1	IP44/IP55/IP56	QDA03220006~8
Y711-2-H	1.7~0.54	2705	3246	0.37	F/H	S1	IP44/IP55/IP56	QDA03220006~8
Y712-2-H	2.3~0.72	2720	3264	0.55	F/H	S1	IP44/IP55/IP56	QDA03220006~8
Y80M1-2-H	3.1~0.99	2855	3426	0.75	F/H	S1	IP44/IP55/IP56	QDA03220006~8
Y80M2-2-H	4.5~1.4	2855	3426	1.1	F/H	S1	IP44/IP55/IP56	QDA03220006~8
Y90S-2-H	6.1~1.9	2875	3450	1.5	F/H	S1	IP44/IP55/IP56	QDA03220006~8
Y90L-2-H	8.5~2.7	2875	3450	2.2	F/H	S1	IP44/IP55/IP56	QDA03220006~8
Y100L-2-H	10.7~3.4	2880	3456	3	F/H	S1	IP44/IP55/IP56	QDA03220006~8
Y112M-2-H	14.2~4.5	2900	3480	4	F/H	S1	IP44/IP55/IP56	QDA03220006~8
Y132S1-2-H	19.1~6.1	2900	3480	5.5	F/H	S1	IP44/IP55/IP56	QDA03220006~8
Y132S2-2-H	25.3~8	2900	3480	7.5	F/H	S1	IP44/IP55/IP56	QDA03220006~8
Y132M-2-H	37.1~11.8	2900	3480	11	F/H	S1	IP44/IP55/IP56	QD20PPP20049
Y160M1-2-H	37.4~11.9	2940	3528	11	F/H	S1	IP44/IP55/IP56	QDA03220006~8
Y160M2-2-H	50.1~15.9	2940	3528	15	F/H	S1	IP44/IP55/IP56	QDA03220006~8
Y160L-2-H	73.6~19.6	2940	3528	18.5~22	F/H	S1	IP44/IP55/IP56	QDA03220006~8, QD20PPP20049
Y180M-2-H	100.1~23.3	2955	3546	22~30	F/H	S1	IP44/IP55/IP56	QDA03220006~8, QD20PPP20049
Y200L1-2-H	100.3~31.8	2965	3558	30	F/H	S1	IP44/IP55/IP56	QDA03220006~8
Y200L2-2-H	146.2~38.2	2965	3558	37~45	F/H	S1	IP44/IP55/IP56	QDA03220006~8, QD20PPP20049
Y225M-2-H	181.9~47.2	2970	3564	45~55	F/H	S1	IP44/IP55/IP56	QDA03220006~8, QD20PPP20049
Y250M-2-H	243.7~56.8	2975	3570	55~75	F/H	S1	IP44/IP55/IP56	QDA03220006~8, QD20PPP20049
Y280S-2-H	240.9~76.5	2975	3570	75	F/H	S1	IP44/IP55/IP56	QDA03220006~8
Y280M-2-H	353.7~91.9	2975	3570	90~110	F/H	S1	IP44/IP55/IP56	QDA03220006~8, QD20PPP20049
Y315S-2-H	351.6~111.7	2980	3576	110	F/H	S1	IP44/IP55/IP56	QDA03220006~8
Y315M-2-H	419.7~133.3	2980	3576	132	F/H	S1	IP44/IP55/IP56	QDA03220006~8
Y315L1-2-H	584.9~160.7	2980	3576	160~185	F/H	S1	IP44/IP55/IP56	QDA03220006~8, QD20PPP20049
Y315L2-2-H	632.5~200.9	2980	3576	200	F/H	S1	IP44/IP55/IP56	QDA03220006~8
Y355M1-2-H	688~218.5	2980	3576	220	F/H	S1	IP44/IP55/IP56	QD20PPP20049
Y355M2-2-H	781.8~248.3	2980	3576	250	F/H	S1	IP44/IP55/IP56	QDA03220006~8
Y355L1-2-H	871~276.6	2980	3576	280	F/H	S1	IP44/IP55/IP56	QD20PPP20049
Y355L2-2-H	979.8~311.1	2980	3576	315	F/H	S1	IP44/IP55/IP56	QDA03220006~8
Y355L-2-H	1103.3~326.2	2980	3576	330~355	F/H	S1	IP44/IP55/IP56	QD20PPP20049

技术数据 Technical Data

Y-H 系列船用三相异步电动机

Y-H series marine three-phase asynchronous motor

产品型号 Type	额定电压 Rated Voltage (220V~690V)			额定功率 Rated power (kW)	绝缘等级 Insulation class	工作定额 Rating	外壳防护等级 Degree of protection	图纸批准号 Drawings Approval No.
	额定电流 Rated Current (A)	额定频率 Rated frequency (50Hz)	额定频率 Rated frequency (60Hz)					
		额定转速 Rated speed (r/min)	额定转速 Rated speed (r/min)					
Y631-4-H	0.8~0.3	1325	1590	0.12	F/H	S1	IP44/IP55/IP56	QDA03220006~8
Y632-4-H	1.2~0.4	1272	1526	0.18	F/H	S1	IP44/IP55/IP56	QDA03220006~8
Y711-4-H	1.4~0.4	1360	1632	0.25	F/H	S1	IP44/IP55/IP56	QDA03220006~8
Y712-4-H	2~0.6	1357	1628	0.37	F/H	S1	IP44/IP55/IP56	QDA03220006~8
Y80M1-4-H	2.6~0.8	1400	1680	0.55	F/H	S1	IP44/IP55/IP56	QDA03220006~8
Y80M2-4-H	3.6~1.2	1400	1680	0.75	F/H	S1	IP44/IP55/IP56	QDA03220006~8
Y90S-4-H	4.7~1.5	1425	1710	1.1	F/H	S1	IP44/IP55/IP56	QDA03220006~8
Y90L-4-H	6.2~2	1425	1710	1.5	F/H	S1	IP44/IP55/IP56	QDA03220006~8
Y100L1-4-H	8.8~2.8	1440	1728	2.2	F/H	S1	IP44/IP55/IP56	QDA03220006~8
Y100L2-4-H	15.8~3.7	1440	1728	3~4	F/H	S1	IP44/IP55/IP56	QDA03220006~8, QD20PPP20049
Y112M-4-H	21.1~4.9	1450	1740	4~5.5	F/H	S1	IP44/IP55/IP56	QDA03220006~8, QD20PPP20049
Y132S-4-H	20.3~6.4	1455	1746	5.5	F/H	S1	IP44/IP55/IP56	QDA03220006~8
Y132M-4-H	39.1~8.5	1455	1746	7.5~11	F/H	S1	IP44/IP55/IP56	QDA03220006~8, QD20PPP20049
Y160M-4-H	39.5~12.5	1465	1758	11	F/H	S1	IP44/IP55/IP56	QDA03220006~8
Y160L-4-H	65.1~16.8	1465	1758	15~18.5	F/H	S1	IP44/IP55/IP56	QDA03220006~8, QD20PPP20049
Y180M-4-H	74~19.7	1470	1764	18.5~22	F/H	S1	IP44/IP55/IP56	QDA03220006~8, QD20PPP20049
Y180L-4-H	99.6~23.2	1475	1770	22~30	F/H	S1	IP44/IP55/IP56	QDA03220006~8, QD20PPP20049
Y200L-4-H	122.5~31.5	1475	1770	30~37	F/H	S1	IP44/IP55/IP56	QDA03220006~8, QD20PPP20049
Y225S-4-H	147.9~38.6	1480	1776	37~45	F/H	S1	IP44/IP55/IP56	QDA03220006~8, QD20PPP20049
Y225M-4-H	177.9~46.2	1480	1776	45~55	F/H	S1	IP44/IP55/IP56	QDA03220006~8, QD20PPP20049
Y250M-4-H	242.5~56.5	1480	1776	55~75	F/H	S1	IP44/IP55/IP56	QDA03220006~8, QD20PPP20049
Y280S-4-H	284.6~76.6	1485	1782	75~90	F/H	S1	IP44/IP55/IP56	QDA03220006~8, QD20PPP20049
Y280M-4-H	347.8~90.4	1485	1782	90~110	F/H	S1	IP44/IP55/IP56	QDA03220006~8, QD20PPP20049
Y315S-4-H	347.8~110.4	1485	1782	110	F/H	S1	IP44/IP55/IP56	QDA03220006~8
Y315M-4-H	415.2~131.8	1485	1782	132	F/H	S1	IP44/IP55/IP56	QDA03220006~8
Y315L1-4-H	578.8~159	1485	1782	160~185	F/H	S1	IP44/IP55/IP56	QDA03220006~8, QD20PPP20049
Y315L2-4-H	625.8~198.7	1485	1782	200	F/H	S1	IP44/IP55/IP56	QDA03220006~8
Y355M1-4-H	707.9~224.8	1490	1788	220	F/H	S1	IP44/IP55/IP56	QD20PPP20049
Y355M2-4-H	804.5~255.5	1490	1788	250	F/H	S1	IP44/IP55/IP56	QDA03220006~8
Y355L1-4-H	896.1~284.6	1490	1788	280	F/H	S1	IP44/IP55/IP56	QD20PPP20049
Y355L2-4-H	1008.2~320.2	1490	1788	315	F/H	S1	IP44/IP55/IP56	QDA03220006~8
Y355L-4-H	1134.5~335	1490	1788	330~355	F/H	S1	IP44/IP55/IP56	QD20PPP20049

技术数据 Technical Data

Y-H 系列船用三相异步电动机

Y-H series marine three-phase asynchronous motor

产品型号 Type	额定电压 Rated Voltage (220V~690V)			额定功率 Rated power (kW)	绝缘等级 Insulation class	工作定额 Rating	外壳防护等级 Degree of protection	图纸批准号 Drawings Approval No.
	额定电流 Rated Current (A)	额定频率 Rated frequency (50Hz)	额定频率 Rated frequency (60Hz)					
		额定转速 Rated speed (r/min)	额定转速 Rated speed (r/min)					
Y711-6-H	1.2~0.4	898	1078	0.18	F/H	S1	IP44/IP55/IP56	QDA03220006~8
Y712-6-H	1.6~0.5	900	1080	0.25	F/H	S1	IP44/IP55/IP56	QDA03220006~8
Y80M1-6-H	2.2~0.7	903	1084	0.37	F/H	S1	IP44/IP55/IP56	QDA03220006~8
Y80M2-6-H	3.1~1	903	1084	0.55	F/H	S1	IP44/IP55/IP56	QDA03220006~8
Y90S-6-H	3.8~1.2	935	1122	0.75	F/H	S1	IP44/IP55/IP56	QDA03220006~8
Y90L-6-H	5.5~1.8	940	1128	1.1	F/H	S1	IP44/IP55/IP56	QDA03220006~8
Y100L-6-H	6.9~2.2	945	1134	1.5	F/H	S1	IP44/IP55/IP56	QDA03220006~8
Y112M-6-H	10~3.2	950	1140	2.2	F/H	S1	IP44/IP55/IP56	QDA03220006~8
Y132S-6-H	12.5~4	960	1152	3	F/H	S1	IP44/IP55/IP56	QDA03220006~8
Y132M1-6-H	16.5~5.2	960	1152	4	F/H	S1	IP44/IP55/IP56	QDA03220006~8
Y132M2-6-H	29.4~6.9	960	1152	5.5~7.5	F/H	S1	IP44/IP55/IP56	QDA03220006~8,QD20PPP20049
Y160M-6-H	29.6~9.4	970	1164	7.5	F/H	S1	IP44/IP55/IP56	QDA03220006~8
Y160L-6-H	59.1~13.8	970	1164	11~15	F/H	S1	IP44/IP55/IP56	QDA03220006~8,QD20PPP20049
Y180L-6-H	70.5~18.2	975	1170	15~18.5	F/H	S1	IP44/IP55/IP56	QDA03220006~8,QD20PPP20049
Y200L1-6-H	77.4~20.7	980	1176	18.5	F/H	S1	IP44/IP55/IP56	QDA03220006~8
Y200L2-6-H	105.5~24.6	980	1176	22~30	F/H	S1	IP44/IP55/IP56	QDA03220006~8,QD20PPP20049
Y225M-6-H	130.6~33.6	985	1182	30~37	F/H	S1	IP44/IP55/IP56	QDA03220006~8,QD20PPP20049
Y250M-6-H	149.6~39.1	985	1182	37~45	F/H	S1	IP44/IP55/IP56	QDA03220006~8,QD20PPP20049
Y280S-6-H	178.7~47.5	990	1188	45~55	F/H	S1	IP44/IP55/IP56	QDA03220006~8,QD20PPP20049
Y280M-6-H	243.7~56.8	990	1188	55~75	F/H	S1	IP44/IP55/IP56	QDA03220006~8,QD20PPP20049
Y315S-6-H	244.4~77.6	990	1188	75	F/H	S1	IP44/IP55/IP56	QDA03220006~8
Y315M-6-H	292~92.7	990	1188	90	F/H	S1	IP44/IP55/IP56	QDA03220006~8
Y315L1-6-H	355.9~113	990	1188	110	F/H	S1	IP44/IP55/IP56	QDA03220006~8
Y315L2-6-H	425.7~135.2	990	1188	132	F/H	S1	IP44/IP55/IP56	QDA03220006~8
Y355M1-6-H	523.1~166.1	990	1188	160	F/H	S1	IP44/IP55/IP56	QDA03220006~8
Y355M-6-H	652.3~207.1	990	1188	185	F/H	S1	IP44/IP55/IP56	QD20PPP20049
Y355M2-6-H	652.4~207.2	990	1188	200	F/H	S1	IP44/IP55/IP56	QDA03220006~8
Y355L1-6-H	717.6~227.9	990	1188	220	F/H	S1	IP44/IP55/IP56	QD20PPP20049
Y355L2-6-H	812~257.8	990	1188	250	F/H	S1	IP44/IP55/IP56	QDA03220006~8
Y355L-6-H	909.5~288.8	990	1188	280	F/H	S1	IP44/IP55/IP56	QD20PPP20049

技术数据 Technical Data

Y-H 系列船用三相异步电动机

Y-H series marine three-phase asynchronous motor

产品型号 Type	额定电压 Rated Voltage (220V~690V)			额定功率 Rated power (kW)	绝缘等级 Insulation class	工作定额 Rating	外壳防护等级 Degree of protection	图纸批准号 Drawings Approval No.
	额定电流 Rated Current (A)	额定频率 Rated frequency (50Hz)	额定频率 Rated frequency (60Hz)					
		额定转速 Rated speed (r/min)	额定转速 Rated speed (r/min)					
Y80M1-8-H	1.7~0.5	692	830	0.18	F/H	S1	IP44/IP55/IP56	QDA03220006~8
Y80M2-8-H	2.1~0.7	689	827	0.25	F/H	S1	IP44/IP55/IP56	QDA03220006~8
Y90S-8-H	2.4~0.8	692	830	0.37	F/H	S1	IP44/IP55/IP56	QDA03220006~8
Y90L-8-H	3.1~1	695	834	0.55	F/H	S1	IP44/IP55/IP56	QDA03220006~8
Y100L1-8-H	3.5~1.1	701	841	0.75	F/H	S1	IP44/IP55/IP56	QDA03220006~8
Y100L2-8-H	5~1.6	701	841	1.1	F/H	S1	IP44/IP55/IP56	QDA03220006~8
Y112M-8-H	6.1~1.9	701	841	1.5	F/H	S1	IP44/IP55/IP56	QDA03220006~8
Y132S-8-H	13.7~3.2	710	852	2.2~3	F/H	S1	IP44/IP55/IP56	QDA03220006~8,QD20PPP20049
Y132M-8-H	17.5~4.2	710	852	3~4	F/H	S1	IP44/IP55/IP56	QDA03220006~8,QD20PPP20049
Y160M1-8-H	18.2~5.8	720	864	4	F/H	S1	IP44/IP55/IP56	QDA03220006~8
Y160M2-8-H	23.2~7.4	720	864	5.5	F/H	S1	IP44/IP55/IP56	QDA03220006~8
Y160L-8-H	45~9.7	720	864	7.5~11	F/H	S1	IP44/IP55/IP56	QDA03220006~8,QD20PPP20049
Y180L-8-H	60.4~14.1	730	876	11~15	F/H	S1	IP44/IP55/IP56	QDA03220006~8,QD20PPP20049
Y200L-8-H	71.2~18.3	730	876	15~18.5	F/H	S1	IP44/IP55/IP56	QDA03220006~8,QD20PPP20049
Y225S-8-H	83~22.2	730	876	18.5~22	F/H	S1	IP44/IP55/IP56	QDA03220006~8,QD20PPP20049
Y225M-8-H	111.9~26.1	740	888	22~30	F/H	S1	IP44/IP55/IP56	QDA03220006~8,QD20PPP20049
Y250M-8-H	138.2~35.6	740	888	30~37	F/H	S1	IP44/IP55/IP56	QDA03220006~8,QD20PPP20049
Y280S-8-H	168.2~43.9	740	888	37~45	F/H	S1	IP44/IP55/IP56	QDA03220006~8,QD20PPP20049
Y280M-8-H	200.7~52.1	740	888	45~55	F/H	S1	IP44/IP55/IP56	QDA03220006~8,QD20PPP20049
Y315S-8-H	196.6~62.4	740	888	55	F/H	S1	IP44/IP55/IP56	QDA03220006~8
Y315M-8-H	263.4~83.7	740	888	75	F/H	S1	IP44/IP55/IP56	QDA03220006~8
Y315L1-8-H	310.5~98.6	740	888	90	F/H	S1	IP44/IP55/IP56	QDA03220006~8
Y315L2-8-H	378.4~120.2	740	888	110	F/H	S1	IP44/IP55/IP56	QDA03220006~8
Y355M1-8-H	458.6~145.6	740	888	132	F/H	S1	IP44/IP55/IP56	QDA03220006~8
Y355M2-8-H	554.8~176.2	740	888	160	F/H	S1	IP44/IP55/IP56	QDA03220006~8
Y355L1-8-H	641.4~203.7	740	888	185	F/H	S1	IP44/IP55/IP56	QD20PPP20049
Y355L2-8-H	691.2~219.5	740	888	200	F/H	S1	IP44/IP55/IP56	QDA03220006~8
Y355L-8-H	760.3~241.5	740	888	220	F/H	S1	IP44/IP55/IP56	QD20PPP20049

技术数据 Technical Data

YD-H 系列船用变极双速三相异步电动机
YD-H series marine change-pole double-speed three-phase induction motor

产品型号 Type	额定电压 Rated voltage (380V)			额定电压 Rated voltage (440V)			绝缘等级 Insulation class	工作定额 Rating	外壳防护等级 Degree of protection	图纸批准号 Drawings Approval No.
	额定频率 Rated frequency (50Hz)			额定频率 Rated frequency (60Hz)						
	额定电流 Rated Current (A)	额定转速 Rated speed (r/min)	额定功率 Rated power (kW)	额定电流 Rated Current (A)	额定转速 Rated speed (r/min)	额定功率 Rated power (kW)				
YD80M1-4/2-H	1.4/1.5	1400/2855	0.45/0.55	1.4/1.5	1680/3426	0.52/0.63	F/H	S1	IP44/IP55/IP56	QD09A00002
YD80M2-4/2-H	1.7/2	1400/2855	0.55/0.75	1.7/2	1680/3426	0.63/0.86	F/H	S1	IP44/IP55/IP56	QD09A00002
YD90S-4/2-H	2.3/2.8	1425/2875	0.85/1.1	2.3/2.8	1710/3450	0.98/1.27	F/H	S1	IP44/IP55/IP56	QD09A00002
YD90L-4/2-H	3.3/4.4	1425/2875	1.3/1.8	3.3/4.4	1710/3450	1.5/2.1	F/H	S1	IP44/IP55/IP56	QD09A00002
YD100L1-4/2-H	4/5.6	1440/2880	2.0/2.4	4/5.6	1728/3456	2.3/2.8	F/H	S1	IP44/IP55/IP56	QD09A00002
YD100L2-4/2-H	5.6/6.7	1440/2880	2.4/3.0	5.6/6.7	1728/3456	2.8/3.5	F/H	S1	IP44/IP55/IP56	QD09A00002
YD112M-4/2-H	7.4/8.6	1450/2900	3.3/4.0	7.4/8.6	1740/3480	3.8/4.6	F/H	S1	IP44/IP55/IP56	QD09A00002
YD132S-4/2-H	9.8/11.9	1455/2900	4.5/5.5	9.8/11.9	1746/3480	5.2/6.3	F/H	S1	IP44/IP55/IP56	QD09A00002
YD132M-4/2-H	13.8/17.1	1455/2900	6.5/8.0	13.8/17.1	1746/3480	7.5/9.2	F/H	S1	IP44/IP55/IP56	QD09A00002
YD160M-4/2-H	18.5/22.9	1465/2940	9/11	18.5/22.9	1758/3528	10.4/12.7	F/H	S1	IP44/IP55/IP56	QD09A00002
YD160L-4/2-H	22.3/28.8	720/2940	11/14	22.3/28.8	864/3528	12.7/16.1	F/H	S1	IP44/IP55/IP56	QD09A00002
YD180M-4/2-H	29.4/36.7	1475/2955	15/18.5	29.4/36.7	1770/3546	17.3/21.3	F/H	S1	IP44/IP55/IP56	QD09A00002
YD180L-4/2-H	35.9/42.7	1475/2955	18.5/22	35.9/42.7	1770/3546	21.3/25.3	F/H	S1	IP44/IP55/IP56	QD09A00002
YD200L1-4/2-H	49.9/58.3	1475/2965	26/30	49.9/58.3	1770/3558	29.9/34.5	F/H	S1	IP44/IP55/IP56	QD09A00002
YD200L2-4/2-H	49.9/58.3	1475/2965	26/30	49.9/58.3	1770/3558	29.9/34.5	F/H	S1	IP44/IP55/IP56	QD09A00002
YD225S-4/2-H	60.7/71.1	1480/2970	32/37	60.7/71.1	1776/3564	36.8/42.6	F/H	S1	IP44/IP55/IP56	QD09A00002
YD225M-4/2-H	69.4/86.4	1480/2970	37/45	69.4/86.4	1776/3564	42.6/51.8	F/H	S1	IP44/IP55/IP56	QD09A00002
YD250M-4/2-H	84.4/98.7	1480/2975	45/52	84.4/98.7	1776/3570	51.8/59.8	F/H	S1	IP44/IP55/IP56	QD09A00002
YD280S-4/2-H	111.3/135.1	1485/2975	60/72	111.3/135.1	1782/3570	69/82.8	F/H	S1	IP44/IP55/IP56	QD09A00002
YD280M-4/2-H	133.6/152.2	1485/2975	72/82	133.6/152.2	1782/3570	82.8/94.3	F/H	S1	IP44/IP55/IP56	QD09A00002

技术数据 Technical Data

YD-H 系列船用变极双速三相异步电动机
YD-H series marine change-pole double-speed three-phase induction motor

产品型号 Type	额定电压 Rated voltage (380V)			额定电压 Rated voltage (440V)			绝缘等级 Insulation class	工作定额 Rating	外壳防护等级 Degree of protection	图纸批准号 Drawings Approval No.
	额定频率 Rated frequency (50Hz)			额定频率 Rated frequency (60Hz)						
	额定电流 Rated Current (A)	额定转速 Rated speed (r/min)	额定功率 Rated power (kW)	额定电流 Rated Current (A)	额定转速 Rated speed (r/min)	额定功率 Rated power (kW)				
YD90S-6/4-H	2.3/2.3	935/1425	0.65/0.85	2.3/2.3	1122/1710	0.75/0.98	F/H	S1	IP44/IP55/IP56	QD09A00002
YD90L-6/4-H	2.8/3	940/1425	0.85/1.1	2.8/3	1128/1710	0.98/1.27	F/H	S1	IP44/IP55/IP56	QD09A00002
YD100L1-6/4-H	3.8/4.4	945/1440	1.3/1.8	3.8/4.4	1134/1728	1.5/2.1	F/H	S1	IP44/IP55/IP56	QD09A00002
YD100L2-6/4-H	4.3/5.4	945/1440	1.5/2.2	4.3/5.4	1134/1728	1.7/2.5	F/H	S1	IP44/IP55/IP56	QD09A00002
YD112M-6/4-H	5.7/6.7	950/1450	2.2/2.8	5.7/6.7	1140/1740	2.5/3.2	F/H	S1	IP44/IP55/IP56	QD09A00002
YD132S-6/4-H	7.7/9.5	960/1455	4.4/5.5	7.7/9.5	1152/1746	3.5/4.6	F/H	S1	IP44/IP55/IP56	QD09A00002
YD132M-6/4-H	9.8/12.3	960/1455	4/5.5	9.8/12.3	1152/1746	4.6/6.3	F/H	S1	IP44/IP55/IP56	QD09A00002
YD160M-6/4-H	15.1/17.6	970/1465	6.5/8	15.1/17.6	1164/1758	7.5/9.2	F/H	S1	IP44/IP55/IP56	QD09A00002
YD160L-6/4-H	20.6/23.7	970/1465	4.4/5.0	20.6/23.7	1164/1758	10.4/12.7	F/H	S1	IP44/IP55/IP56	QD09A00002
YD180M-6/4-H	25.9/29.8	975/1475	4.4/5.1	25.9/29.8	1170/1770	12.7/16.1	F/H	S1	IP44/IP55/IP56	QD09A00002
YD180L-6/4-H	29.4/33.6	975/1475	13/16	29.4/33.6	1170/1770	15/18.4	F/H	S1	IP44/IP55/IP56	QD09A00002
YD200L1-6/4-H	41.4/44.9	980/1475	18.5/22	41.4/44.9	1176/1770	21.3/25.3	F/H	S1	IP44/IP55/IP56	QD09A00002
YD200L2-6/4-H	41.4/44.9	980/1475	18.5/22	41.4/44.9	1176/1770	21.3/25.3	F/H	S1	IP44/IP55/IP56	QD09A00002
YD225S-6/4-H	44.2/56.5	985/1480	22/28	44.2/56.5	1182/1776	25.3/32.2	F/H	S1	IP44/IP55/IP56	QD09A00002
YD225M-6/4-H	52.2/63.2	985/1480	26/32	52.2/63.2	1182/1776	29.9/36.8	F/H	S1	IP44/IP55/IP56	QD09A00002
YD250M-6/4-H	62.1/81.1	985/1480	32/42	62.1/81.1	1182/1776	36.8/48.3	F/H	S1	IP44/IP55/IP56	QD09A00002
YD280S-6/4-H	81.5/106.7	990/1485	42/55	81.5/106.7	1188/1782	48.3/63.3	F/H	S1	IP44/IP55/IP56	QD09A00002
YD280M-6/4-H	106.7/131.5	990/1485	55/67	106.7/131.5	1188/1782	63.3/77.1	F/H	S1	IP44/IP55/IP56	QD09A00002

技术数据 Technical Data

YD-H 系列船用变极双速三相异步电动机
YD-H series marine change-pole double-speed three-phase induction motor

产品型号 Type	额定电压 Rated voltage (380V)			额定电压 Rated voltage (440V)			绝缘等级 Insulation class	工作定额 Rating	外壳防护等级 Degree of protection	图纸批准号 Drawings Approval No.
	额定频率 Rated frequency (50Hz)			额定频率 Rated frequency (60Hz)						
	额定电流 Rated Current (A)	额定转速 Rated speed (r/min)	额定功率 Rated power (kW)	额定电流 Rated Current (A)	额定转速 Rated speed (r/min)	额定功率 Rated power (kW)				
YD90S-8/6-H	1.6/1.4	692/935	0.35/0.45	1.6/1.4	830/1122	0.4/0.52	F/H	S1	IP44/IP55/IP56	QD09A00002
YD90L-8/6-H	1.9/1.9	695/940	0.45/0.65	1.9/1.9	834/1128	0.52/0.75	F/H	S1	IP44/IP55/IP56	QD09A00002
YD100L1-8/6-H	2.9/3.1	701/945	0.75/1.1	2.9/3.1	841/1134	0.86/1.3	F/H	S1	IP44/IP55/IP56	QD09A00002
YD100L2-8/6-H	2.9/3.1	701/945	0.75/1.1	2.9/3.1	841/1134	0.86/1.3	F/H	S1	IP44/IP55/IP56	QD09A00002
YD112M-8/6-H	4.5/4.8	701/950	1.3/1.8	4.5/4.8	841/1140	1.5/2.1	F/H	S1	IP44/IP55/IP56	QD09A00002
YD132S-8/6-H	5.8/6.2	710/960	1.8/2.4	5.8/6.2	852/1152	2.1/2.8	F/H	S1	IP44/IP55/IP56	QD09A00002
YD132M-8/6-H	8.2/9.4	710/960	2.6/3.7	8.2/9.4	852/1152	3/4.3	F/H	S1	IP44/IP55/IP56	QD09A00002
YD160M-8/6-H	13.3/14.7	720/970	4.5/6	13.3/14.7	864/1164	5.2/6.9	F/H	S1	IP44/IP55/IP56	QD09A00002
YD160L-8/6-H	17.5/19.4	720/970	4.4/5.5	17.5/19.4	864/1164	6.9/9.2	F/H	S1	IP44/IP55/IP56	QD09A00002
YD180M-8/6-H	21.9/24.2	730/975	7.5/10	21.9/24.2	876/1170	8.6/11.5	F/H	S1	IP44/IP55/IP56	QD09A00002
YD180L-8/6-H	24.8/28.3	730/975	4.4/5.1	24.8/28.3	876/1170	10.4/13.8	F/H	S1	IP44/IP55/IP56	QD09A00002
YD200L1-8/6-H	32.6/39.1	730/980	4.4/5.7	32.6/39.1	876/1176	13.8/19.6	F/H	S1	IP44/IP55/IP56	QD09A00002
YD200L2-8/6-H	40.3/45.4	730/980	15/20	40.3/45.4	876/1176	17.3/23	F/H	S1	IP44/IP55/IP56	QD09A00002
YD90L-8/4-H	1.9/1.8	695/1425	0.45/0.75	1.9/1.8	834/1710	0.52/0.86	F/H	S1	IP44/IP55/IP56	QD09A00002
YD100L1-8/4-H	3.1/3.5	701/1440	0.85/1.5	3.1/3.5	841/1728	0.98/1.7	F/H	S1	IP44/IP55/IP56	QD09A00002
YD100L2-8/4-H	3.1/3.5	701/1440	0.85/1.5	3.1/3.5	841/1728	0.98/1.7	F/H	S1	IP44/IP55/IP56	QD09A00002
YD112M-8/4-H	5/5.3	701/1450	1.5/2.4	5/5.3	841/1740	1.7/2.8	F/H	S1	IP44/IP55/IP56	QD09A00002
YD132S-8/4-H	7/7.1	710/1455	2.2/3.3	7/7.1	852/1746	2.5/3.8	F/H	S1	IP44/IP55/IP56	QD09A00002
YD132M-8/4-H	9/9.4	710/1455	3/4.5	9/9.4	852/1746	3.5/5.2	F/H	S1	IP44/IP55/IP56	QD09A00002
YD160M-8/4-H	13.9/15.2	720/1465	5/7.5	13.9/15.2	864/1758	5.8/8.6	F/H	S1	IP44/IP55/IP56	QD09A00002
YD160L-8/4-H	19/21.8	720/1465	4.4/3.8	19/21.8	864/1758	8.1/12.7	F/H	S1	IP44/IP55/IP56	QD09A00002
YD180L-8/4-H	26.7/32.3	730/1475	4.4/5.1	26.7/32.3	876/1770	12.7/19.6	F/H	S1	IP44/IP55/IP56	QD09A00002
YD200L1-8/4-H	33/41.3	730/1475	14/22	33/41.3	876/1770	16.1/25.3	F/H	S1	IP44/IP55/IP56	QD09A00002
YD200L2-8/4-H	40.1/48.8	730/1475	17/26	40.1/48.8	876/1770	19.6/29.9	F/H	S1	IP44/IP55/IP56	QD09A00002
YD225M-8/4-H	53.2/66.7	740/1480	24/34	53.2/66.7	888/1776	27.6/39.1	F/H	S1	IP44/IP55/IP56	QD09A00002
YD250M-8/4-H	64.9/78.8	740/1480	30/42	64.9/78.8	888/1776	34.5/48.3	F/H	S1	IP44/IP55/IP56	QD09A00002
YD280S-8/4-H	83.5/102	740/1485	40/55	83.5/102	888/1782	46/63.3	F/H	S1	IP44/IP55/IP56	QD09A00002
YD280M-8/4-H	96.9/122.9	740/1485	47/67	96.9/122.9	888/1782	54.1/77.1	F/H	S1	IP44/IP55/IP56	QD09A00002

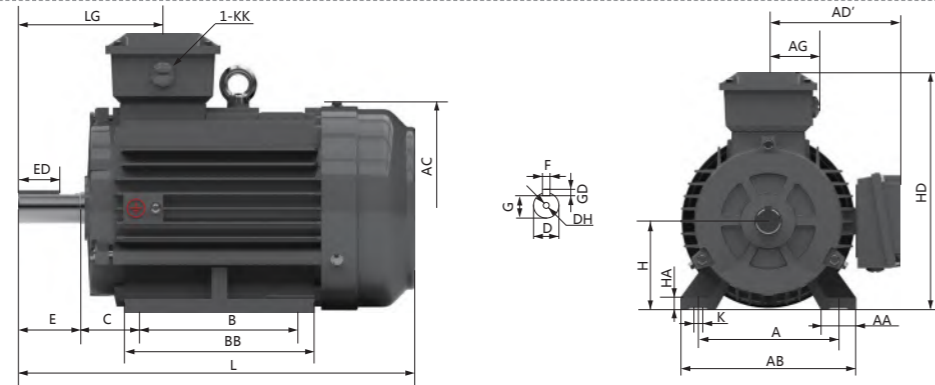
技术数据 Technical Data

YD-H 系列船用变极双速三相异步电动机
YD-H series marine change-pole double-speed three-phase induction motor

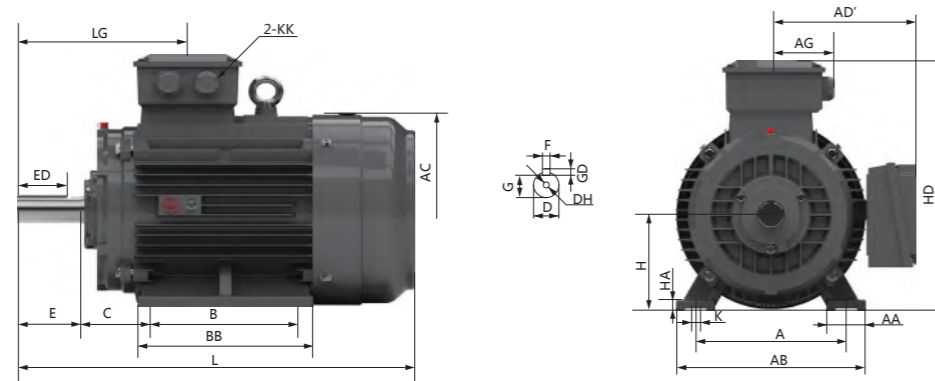
产品型号 Type	额定电压 Rated voltage (380V)			额定电压 Rated voltage (440V)			绝缘等级 Insulation class	工作定额 Rating	外壳防护等级 Degree of protection	图纸批准号 Drawings Approval No.
	额定频率 Rated frequency (50Hz)			额定频率 Rated frequency (60Hz)						
	额定电流 Rated Current (A)	额定转速 Rated speed (r/min)	额定功率 Rated power (kW)	额定电流 Rated Current (A)	额定转速 Rated speed (r/min)	额定功率 Rated power (kW)				
YD160M-12/6-H	11.6/11.9	455/970	2.6/5	11.6/11.9	546/1164	3/5.8	F/H	S1	IP44/IP55/IP56	QD09A00002
YD160L-12/6-H	16.1/15.8	455/970	3.7/7	16.1/15.8	546/1164	4.3/8.1	F/H	S1	IP44/IP55/IP56	QD09A00002
YD180L-12/6-H	19.6/20.5	465/975	5.5/10	19.6/20.5	558/1170	6.3/11.5	F/H	S1	IP44/IP55/IP56	QD09A00002
YD200L1-12/6-H	24.5/26.4	470/980	7.5/13	24.5/26.4	564/1176	8.6/15	F/H	S1	IP44/IP55/IP56	QD09A00002
YD200L2-12/6-H	28.9/30.1	470/980	4.4/5.4	28.9/30.1	564/1176	10.4/17.3	F/H	S1	IP44/IP55/IP56	QD09A00002
YD225M-12/6-H	35.2/39.7	475/985	4.4/5.5	35.2/39.7	570/1182	13.8/23	F/H	S1	IP44/IP55/IP56	QD09A00002
YD250M-12/6-H	42.1/47.1	480/985	15/24	42.1/47.1	576/1182	17.3/27.6	F/H	S1	IP44/IP55/IP56	QD09A00002
YD280S-12/6-H	54.8/58.9	480/990	20/30	54.8/58.9	576/1188	23/34.5	F/H	S1	IP44/IP55/IP56	QD09A00002
YD280M-12/6-H	63.8/72.6	480/990	24/37	63.8/72.6	576/1188	27.6/42.6	F/H	S1	IP44/IP55/IP56	QD09A00002

◆ B3 外形及安装尺寸 Dimensions Foot Mount B3

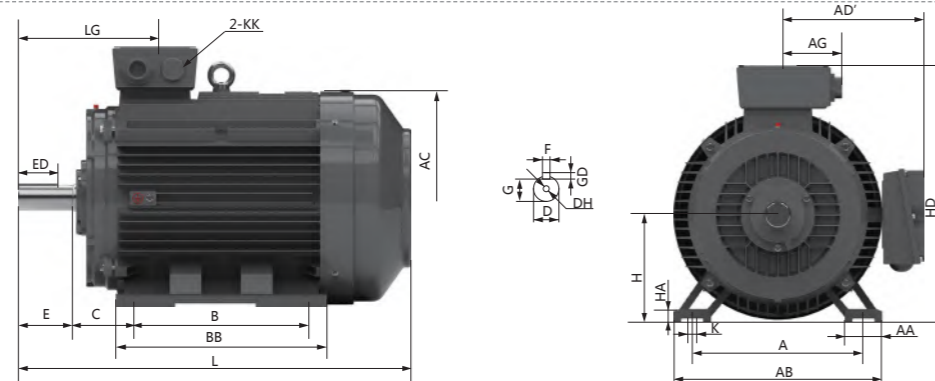
Y-H, YD-H
80~132



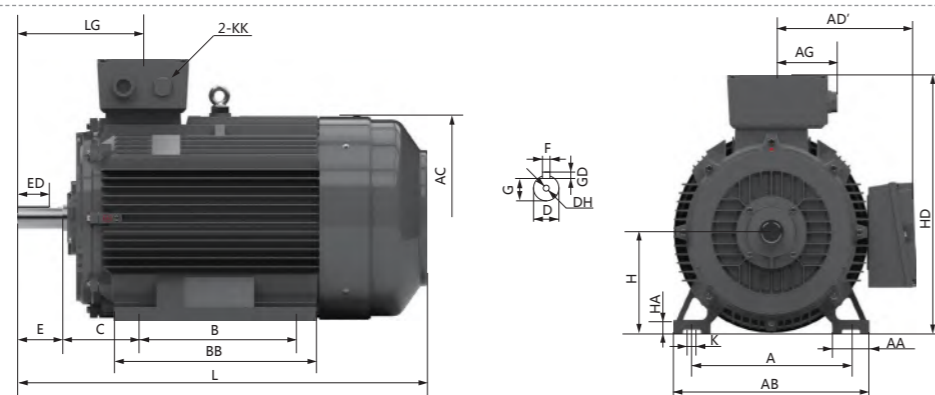
Y-H, YD-H
160~200



Y-H, YD-H
225~280



Y-H, YD-H
315~355



◆ B3 外形及安装尺寸 Dimensions Foot Mount B3

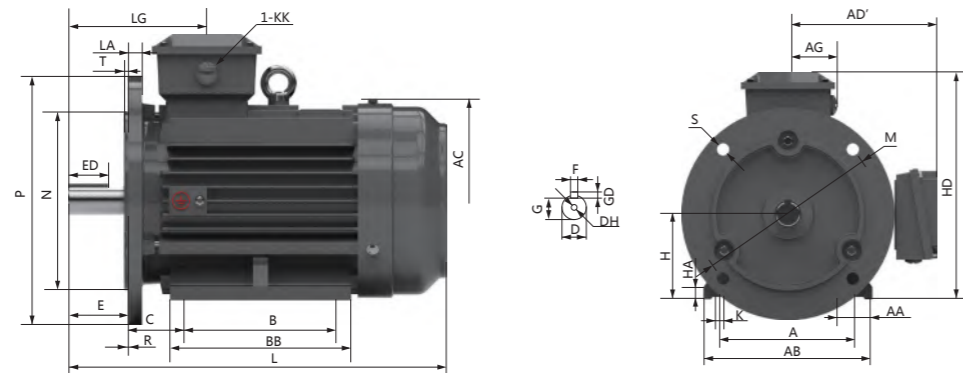
机座号 FRAME SIZE	极数 POLES	A	AA	AB	AC	AD'	AG	B	BB	C	D	DH*	E	ED	F	G	GD	H	HA	HD	K	KK	L*	LG
80M	2-8	125	34	160	175	140	51	100	130	50	19	M6X16	40	22	6	15.5	6	80	10	230	10	M22X1.5	295	106
90S	2-8	140	36	180	190	150	60	100	135	56	24	M8X19	50	32	8	20	7	90	12.5	255	10	M22X1.5	318	126
90L	2-8	140	36	180	190	150	60	125	160	56	24	M8X19	50	32	8	20	7	90	12.5	255	10	M22X1.5	343	126
100L	2-8	160	40	200	215	160	60	140	182	63	28	M10X22	60	40	8	24	7	100	14	270	12	M22X1.5	381	142
112M	2-8	190	45	230	236	185	75	140	195	70	28	M10X22	60	40	8	24	7	112	14	307	12	M22X1.5	399	144
132S	2-8	216	52	265	275	205	75	140	205	89	38	M12X28	80	56	10	33	8	132	16	347	12	M22X1.5	474	169
132M	2-8	216	52	265	275	205	75	178	245	89	38	M12X28	80	56	10	33	8	132	16	347	12	M22X1.5	512	169
160M	2-8	254	67	320	330	250	95	210	260	108	42	M16X36	110	80	12	37	8	160	19	425	14.5	M36X2	601.5	270
160L	2-8	254	67	320	330	250	95	254	305	108	42	M16X36	110	80	12	37	8	160	19	425	14.5	M36X2	645.5	270
180M	2-8	279	74	350	380	270	95	241	297	121	48	M16X36	110	80	14	42.5	9	180	22	460	14.5	M36X2	671	277
180L	2-8	279	74	350	380	270	95	279	325	121	48	M16X36	110	80	14	42.5	9	180	22	460	14.5	M36X2	709	277
200L	2-8	318	75	395	420	325	120	305	370	133	55	M20X42	110	80	16	49	10	200	25	515	18.5	M42X2	762	298
225S	4-8	356	80	436	465	335	120	286	355	149	60	M20X42	140	100	18	53	11	225	28	560	18.5	M42X2	815	340
225M	2	356	80	436	465	335	120	311	380	149	60	M20X42	110	80	16	49	10	225	28	560	18.5	M42X2	810	310
225M	4-8	356	80	436	465	335	120	311	380	149	60	M20X42	140	100	18	53	11	225	28	560	18.5	M42X2	840	340
250M	2	406	88	495	520	370	160	349	440	168	60	M20X42	140	100	18	53	11	250	33	620	24	M68X3	925	360
250M	4-8	406	88	495	520	370	160	349	440	168	65	M20X42	140	100	18	58	11	250	33	620	24	M68X3	925	360
280S	2	457	100	550	570	395	160	368	495	190	65	M20X42	140	100	18	58	11	280	35	685	24	M68X3	960	350
280S	4-8	457	100	550	570	395	160	368	495	190	75	M20X42	140	100	20	67.5	12	280	35	685	24	M68X3	969	350
280M	2	457	100	550	570	395	160	419	535	190	65	M20X42	140	100	18	58	11	280	35	685	24	M68X3	1000	350
280M	4-8	457	100	550	570	395	160	419	535	190	75	M20X42	140	100	20	67.5	12	280	35	685	24	M68X3	1009	350
315S	2	508	120	635	650	495	195	406	515	216	65	M20X42	140	100	18	58	11	315	45	820	28	M68X3	1145	387
315M	2	508	120	635	650	495	195	457	625	216	65	M20X42	140	100	18	58	11	315	45	820	28	M68X3	1255	387
315L	2	508	120	635	650	495	195	508	625	216	65	M20X42	140	100	18	58	11	315	45	820	28	M68X3	1255	387
315S	4-8	508	120	635	650	495	195	406	515	216	80	M20X42	170	130	22	71	14	315	45	820	28	M68X3	1190	417
315M	4-8	508	120	635	650	495	195	457	625	216	80	M20X42	170	130	22	71	14	315	45	820	28	M68X3	1300	417
315L	4-8	508	120	635	650	495	195	508	625	216	80	M20X42	170	130	22	71	14	315	45	820	28	M68X3	1300	417
355M	2	610	125	735	735	640	260	560	775	254	75	M24X50	140	110	20	67.5	12	355	49	1000	28	M68X3	1500	415
355L	2	610	125	735	735	640	260	630	775	254	75	M24X50	140	110	20	67.5	12	355	49	1000	28	M68X3	1500	415
355M	4-8	610	125	735	735	640	260	560	775	254	95	M24X50	170	140	25	86	14	355	49	1000	28	M68X3	1530	445
355L	4-8	610	125	735	735	640	260	630	775	254	95	M24X50	170	140	25	86	14	355	49	1000	28	M68X3	1530	445
355L	2	610	125	735	735	640	260	630	875	254	75	M24X50	140	110	20	67.5	12	355	49	1000	28	M68X3	1600	415
355L	4-8	610	125	735	735	640	260	630	875	254	95	M24X50	170	140	25	86	14	355	49	1000	28	M68X3	1630	445

注:
1、图中 DH 默认为不带螺纹的中心孔, 可根据需要加工成螺纹孔。
The 'DH' defaults to a non-threaded center hole and it can be machined into a threaded hole as required
2、80-132 机座号的 L 尺寸公差 +5, 160-355 机座号的 L 尺寸公差 +8。
The dimension of 'L' with tolerance +5 for frame 80-132, tolerance +8 for frame 160-355.
3、因 355 机座号功率较多, 安装尺寸不同, 订货时请另询外形图
Due to the motors with frame size 355 have various powers, the installation size is different, please consult the external outline drawing when ordering.

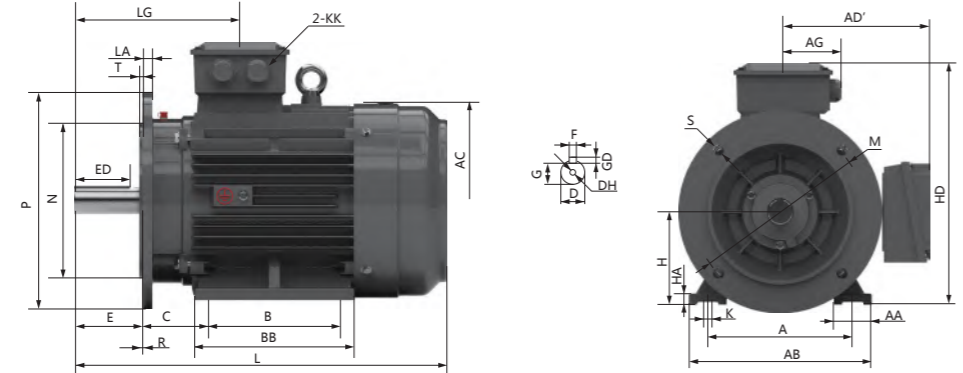
◆ B35 外形及安装尺寸 Dimensions Foot-Flange Mount B35

◆ B35 外形及安装尺寸 Dimensions Foot-Flange Mount B35

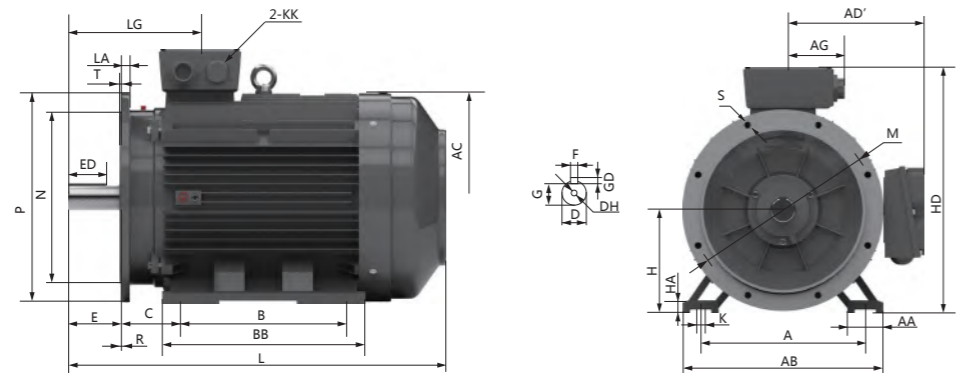
Y-H, YD-H
80~132



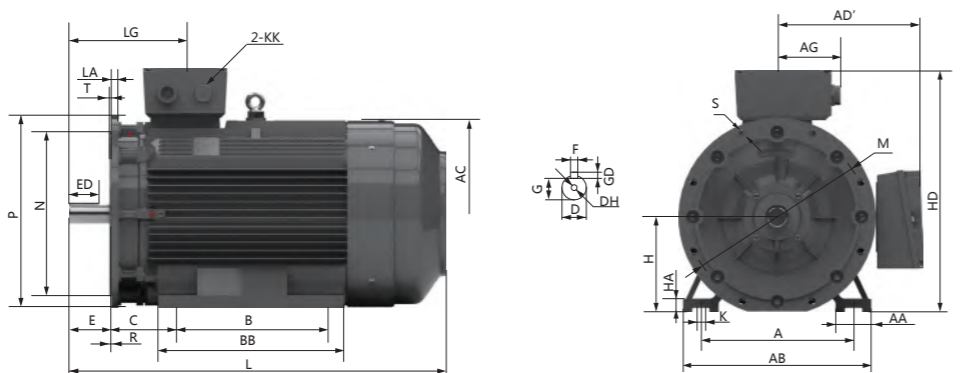
Y-H, YD-H
160~200



Y-H, YD-H
225~280



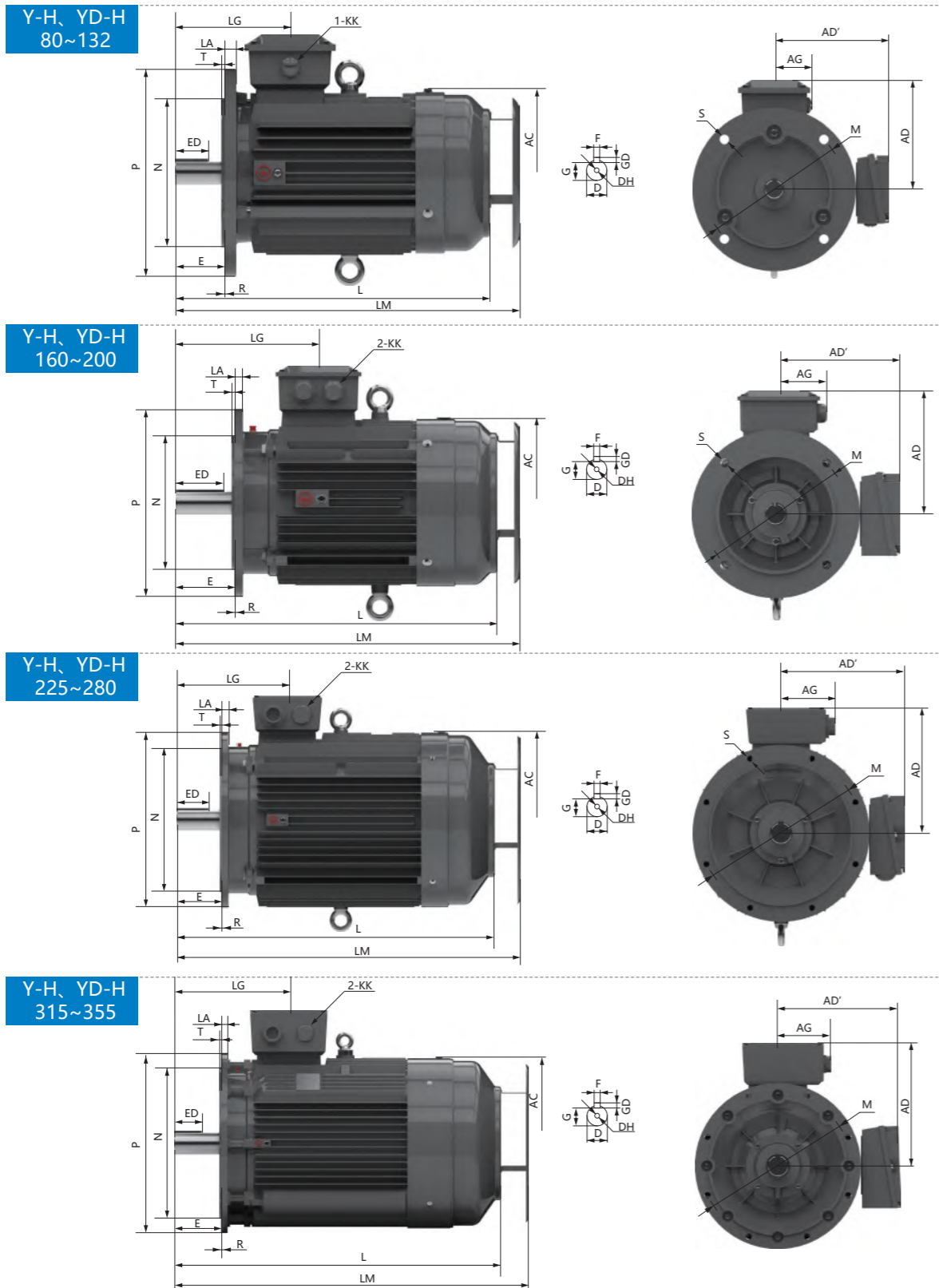
Y-H, YD-H
315~355



机座号 FRAME SIZE	极数 POLES	A	AA	AB	AC	AD'	AG	B	BB	C	D	DH	E	ED	F	G	GD	H	HA	HD	K	L	LA	LG	M	N	P	S	T	KK
80M	2-8	125	34	160	175	140	51	100	130	50	19	M6X16	40	22	6	15.5	6	80	10	230	10	295	12	106	165	130	200	12	3.5	M22X1.5
90S	2-8	140	36	180	190	150	60	100	135	56	24	M8X19	50	32	8	20	7	90	12.5	255	10	318	12	126	165	130	200	12	3.5	M22X1.5
90L	2-8	140	36	180	190	150	60	125	160	56	24	M8X19	50	32	8	20	7	90	12.5	255	10	343	12	126	165	130	200	12	3.5	M22X1.5
100L	2-8	160	40	200	215	160	60	140	182	63	28	M10X22	60	40	8	24	7	100	14	270	12	381	14	142	215	180	250	14.5	4	M22X1.5
112M	2-8	190	45	230	236	185	75	140	195	70	28	M10X22	60	40	8	24	7	112	14	307	12	399	14	141	215	180	250	14.5	4	M22X1.5
132S	2-8	216	52	265	275	205	75	140	205	89	38	M12X28	80	56	10	33	8	132	16	347	12	474	14	169	265	230	300	14.5	4	M22X1.5
132M	2-8	216	52	265	275	205	75	178	245	89	38	M12X28	80	56	10	33	8	132	16	347	12	512	14	169	265	230	300	14.5	4	M22X1.5
160M	2-8	254	67	320	330	250	95	210	260	108	42	M16X36	110	80	12	37	8	160	19	425	14.5	601.5	15	270	300	250	350	18.5	5	M36X2
160L	2-8	254	67	320	330	250	95	254	305	108	42	M16X36	110	80	12	37	8	160	19	425	14.5	645.5	15	270	300	250	350	18.5	5	M36X2
180M	2-8	279	74	350	380	270	95	241	297	121	48	M16X36	110	80	14	42.5	9	180	22	460	14.5	671	15	277	300	250	350	18.5	5	M36X2
180L	2-8	279	74	350	380	270	95	279	325	121	48	M16X36	110	80	14	42.5	9	180	22	460	14.5	709	15	277	300	250	350	18.5	5	M36X2
200L	2-8	318	75	395	420	325	120	305	370	133	55	M20X42	110	80	16	49	10	200	25	515	18.5	762	17	298	350	300	400	18.5	5	M42X2
225S	4-8	356	80	436	465	335	120	286	355	149	60	M20X42	140	100	18	53	11	225	28	560	18.5	815	19	340	400	350	450	18.5	5	M42X2
225M	2	356	80	436	465	335	120	311	380	149	55	M20X42	110	80	16	49	10	225	28	560	18.5	810	19	310	400	350	450	18.5	5	M42X2
225M	4-8	356	80	436	465	335	120	311	380	149	60	M20X42	140	100	18	53	11	225	28	560	18.5	840	19	340	400	350	450	18.5	5	M42X2
250M	2	406	88	495	520	370	160	349	440	168	60	M20X42	140	100	18	53	11	250	33	620	24	925	20	360	500	450	550	18.5	5	M68X3
250M	4-8	406	88	495	520	370	160	349	440	168	65	M20X42	140	100	18	58	11	250	33	620	24	925	20	360	500	450	550	18.5	5	M68X3
280S	2	457	100	550	570	395	160	368	495	190	65	M20X42	140	100	18	58	11	280	35	685	24	960	22	350	500	450	550	18.5	5	M68X3
280S	4-8	457	100	550	570	395	160	368	495	190	75	M20X42	140	100	20	67.5	12	280	35	685	24	969	22	350	500	450	550	18.5	5	M68X3
280M	2	457	100	550	570	395	160	419	535	190	65	M20X42	140	100	18	58	11	280	35	685	24	1000	22	350	500	450	550	18.5	5	M68X3
280M	4-8	457	100	550	570	395	160	419	535	190	75	M20X42	140	100	20	67.5	12	280	35	685	24	1009	22	350	500	450	550	18.5	5	M68X3
315S	2	508	120	635	650	495	195	406	515	216	65	M20X42	140	100	18	58	11	315	45	820	28	1145	24	387	600	550	660	24	6	M68X3
315M	2	508	120	635	650	495	195	457	625	216	65	M20X42	140	100	18	58	11	315	45	820	28	1255	24	387	600	550	660	24	6	M68X3
315L	2	508	120	635	650	495	195	508	625	216	65	M20X42	140	100	18	58	11	315	45	820	28	1255	24	387	600	550	660	24	6	M68X3
315S	4-8	508	120	635	650	495	195	406	515	216	80	M20X42	170	130	22	71	14	315	45	820	28	1190	24	417	600	550	660	24	6	M68X3
315M	4-8	508	120	635	650	495	195	457	625	216	80	M20X42	170	130	22	71	14	315	45	820	28	1300	24	417	600	550	660	24	6	M68X3
315L	4-8	508	120	635	650	495	195	508	625	216	80	M20X42	170	130	22	71	14	315	45	820	28	1300	24	417	600	550	660	24	6	M68X3
355M	2	610	125	735	735	640	260	560	775	254	75	M24X50	140	110	20	67.5	12	355	49	1000	28	1500	25	415	740	680	800	24	6	M68X3
355L	2	610	125	735	735	640	260	630	775	254	75	M24X50	140	110	20	67.5	12	355	49	1000	28	1500	25	415	740	680	800	24	6	M68X3
355M	4-8	610	125	735	735	640	260	560	775	254	95	M24X50	170	140	25	86	14	355	49	1000	28	1530	25	445	740	680	800	24	6	M68X3
355L	4-8	610	125	735	735	640	260	630	775	254	95	M24X50	170	140	25	86	14	355	49	1000	28	1530	25	445	740	680	800	24	6	M68X3
355L	2	610	125	735	735	640	260	630	875	254	75	M24X50	140	110	20	67.5	12	355	49	1000	28	1600	25	415	740	680	800	24	6	M68X3
355L	4-8	610	125	735	735	640	260	630	875	254	95	M24X50	170	140	25	86	14	355	49	1000	28	1630	25	445	740	680	800	24	6	M68X3

注：
1、图中R尺寸值均为0.The 'R' dimensions is zero.
2、图中DH默认为不带螺纹的中心孔，可根据需要加工成螺纹孔。
The 'DH' defaults to a non-threaded center hole and it can be machined into a threaded hole as required
3、80-132机座号的L尺寸公差+/-5,160-355机座号的L尺寸公差+8。
The dimension of 'L' with tolerance +/-5 for frame 80-132,tolerance +/-8 for frame 160-355.
4、因355机座号功率较多，安装尺寸不同，订货时请另询外形图
Due to the motors with frame size 355 have various powers,the installation size is different, please consult the external outline drawing when ordering.

◆ B5&V1 外形及安装尺寸 Dimensions Flange Mount B5&V1



◆ B5&V1 外形及安装尺寸 Dimensions Flange Mount B5&V1

机座号 FRAME SIZE	极数 POLES	AC	D	AD	AD'	AG	DH	E	ED	F	G	GD	LA	LG	M	N	P	S	T	KK	L	LM
80M	2-8	175	19	150	140	51	M6X16	40	22	6	15.5	6	12	106	165	130	200	12	3.5	M22X1.5	295	-
90S	2-8	190	24	165	150	60	M8X19	50	32	8	20	7	12	126	165	130	200	12	3.5	M22X1.5	318	-
90L	2-8	190	24	165	150	60	M8X19	50	32	8	20	7	12	126	165	130	200	12	3.5	M22X1.5	343	-
100L	2-8	215	28	170	160	60	M10X22	60	40	8	24	7	14	142	215	180	250	14.5	4	M22X1.5	381	-
112M	2-8	236	28	195	185	75	M10X22	60	40	8	24	7	14	144	215	180	250	14.5	4	M22X1.5	399	-
132S	2-8	275	38	215	205	75	M12X28	80	56	10	33	8	14	169	265	230	300	14.5	4	M22X1.5	474	-
132M	2-8	275	38	215	205	75	M12X28	80	56	10	33	8	14	169	265	230	300	14.5	4	M22X1.5	512	-
160M	2-8	330	42	265	250	95	M16X36	110	80	12	37	8	15	270	300	250	350	18.5	5	M36X2	601.5	646.5
160L	2-8	330	42	265	250	95	M16X36	110	80	12	37	8	15	270	300	250	350	18.5	5	M36X2	645.5	690.5
180M	2-8	380	48	280	270	95	M16X36	110	80	14	42.5	9	15	277	300	250	350	18.5	5	M36X2	671	716
180L	2-8	380	48	280	270	95	M16X36	110	80	14	42.5	9	15	277	300	250	350	18.5	5	M36X2	709	754
200L	2-8	420	55	315	325	120	M20X42	110	80	16	49	10	17	298	350	300	400	18.5	5	M42X2	762	837
225S	4-8	465	60	335	335	120	M20X42	140	100	18	53	11	19	340	400	350	450	18.5	5	M42X2	815	890
225M	2	465	55	335	335	120	M20X42	110	80	16	49	10	19	310	400	350	450	18.5	5	M42X2	810	885
225M	4-8	465	60	335	335	120	M20X42	140	100	18	53	11	19	340	400	350	450	18.5	5	M42X2	840	915
250M	2	520	60	375	370	160	M20X42	140	100	18	53	11	20	360	500	450	550	18.5	5	M68X3	925	1010
250M	4-8	520	65	375	370	160	M20X42	140	100	18	58	11	20	360	500	450	550	18.5	5	M68X3	925	1016
280S	2	570	65	395	400	160	M20X42	140	100	18	58	11	22	350	500	450	550	18.5	5	M68X3	960	1050
280S	4-8	570	75	395	400	160	M20X42	140	100	20	67.5	12	22	350	500	450	550	18.5	5	M68X3	969	1054
280M	2	570	65	395	400	160	M20X42	140	100	18	58	11	22	350	500	450	550	18.5	5	M68X3	1000	1090
280M	4-8	570	75	395	400	160	M20X42	140	100	20	67.5	12	22	350	500	450	550	18.5	5	M68X3	1009	1094
315S	2	650	65	500	495	195	M20X42	140	100	18	58	11	24	387	600	550	660	24	6	M68X3	1145	1230
315M	2	650	65	500	495	195	M20X42	140	100	18	58	11	24	387	600	550	660	24	6	M68X3	1255	1340
315L	2	650	65	500	495	195	M20X42	140	100	18	58	11	24	387	600	550	660	24	6	M68X3	1255	1340
315S	4-8	650	80	500	495	195	M20X42	170	130	22	71	14	24	417	600	550	660	24	6	M68X3	1190	1281
315M	4-8	650	80	500	495	195	M20X42	170	130	22	71	14	24	417	600	550	660	24	6	M68X3	1300	1391
315L	4-8	650	80	500	495	195	M20X42	170	130	22	71	14	24	417	600	550	660	24	6	M68X3	1300	1391
355M	2	735	75	645	640	260	M24X50	140	110	20	67.5	12	25	415	740	680	800	24	6	M68X3	1500	1600
355L(V1)	2	735	75	645	640	260	M24X50	140	110	20	67.5	12	25	415	740	680	800	24	6	M68X3	1500	1600
355M(V1)	4-8	735	95	645	640	260	M24X50	170	140	25	86	14	25	445	740	680	800	24	6	M68X3	1530	1630
355L(V1)	4-8	735	95	645	640	260	M24X50	170	140	25	86	14	25	445	740	680	800	24	6	M68X3	1530	1630
355L	2	735	75	645	640	260	M24X50	140	110	20	67.5	12	25	415	740	680	800	24	6	M68X3	1600	1700
355L	4-8	735	95	645	640	260	M24X50	170	140	25	86	14	25	445	740	680	800	24	6	M68X3	1630	1730

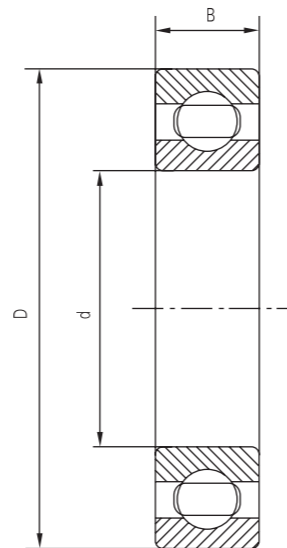
注:
 1、图中 R 尺寸值均为 0. The 'R' dimensions is zero.
 2、图中 DH 默认为不带螺纹的中心孔, 可根据需要加工成螺纹孔。
 The 'DH' defaults to a non-threaded center hole and it can be machined into a threaded hole as required
 3、80-132 机座号的 L 和 LM 尺寸公差 +5, 160-355 机座号的 L 和 LM 尺寸公差 +8
 The dimension of 'L' and 'LM' with tolerance +5 for frame 80-132, tolerance +8 for frame 160-355.
 4、因 355 机座号功率较多, 安装尺寸不同, 订货时请另询外形图
 Due to the motors with frame size 355 have various powers, the installation size is different, please consult the external outline drawing when ordering.

轴承、密封 Bearing、Seal

轴承数据

电机型号 Motor Type	轴伸端 DE	非轴伸端 NDE	d	D	B
80	6204ZZ	6204ZZ	20	47	14
90	6205ZZ	6205ZZ	25	52	15
100	6206ZZ	6206ZZ	30	62	16
112	6306ZZ	6306ZZ	30	72	19
132	6308ZZ	6308ZZ	40	90	23
160	6309	6309	45	100	25
180	6311	6311	55	120	29
200	6312	6312	60	130	31
225	6313	6313	65	140	33
250	6314	6314	70	150	35
280 2P	6314	6314	70	150	35
280 4-6P	6317	6317	85	180	41
315 2P	6316	6316	80	170	39
315 4-6P	6319	6319	95	200	45
355(2P) (B3,B35)	6319	6319	95	200	45
355(2P)V1	6319	7319	95	200	45
355(4-8P) (B3,B35)	6322	6322	110	240	50
355(4-8P)V1	6322	7322	110	240	50
3551、3552(2P) (B3,B35)	6319/C3	6319/C3	95	200	45
3551、3552(4-8P) (B3,B35)	NU324	6324	120	260	55
3551、3552(2P) V1	6319C3	7319	95	200	45
3551、3552(4-8P) V1	NU324	7324	110	260	55

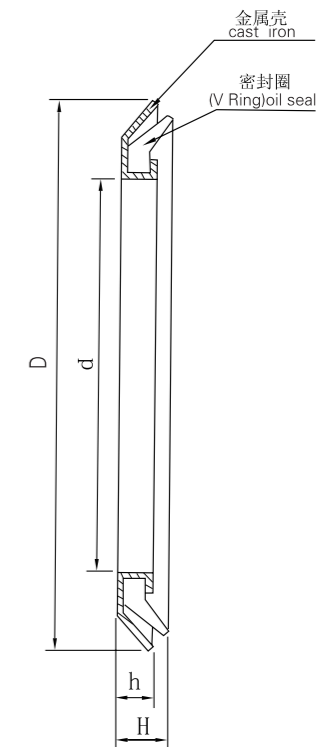
轴承数据
bearing data



轴承、密封 Bearing、Seal

轴面油封数据

电机型号 Motor Type	油封规格 Oil Seal Size	d	D	h	H
80	RB20x35x4.0	Φ20	Φ35	3	6
90	RB25x40x4.0	Φ25	Φ40	3	6
100	RB30x47x4.5	Φ30	Φ47	3.5	6.5
112	RB30x47x4.5	Φ30	Φ47	3.5	6.5
132	RB40x57x4.5	Φ40	Φ57	3.5	6.5
160	RB45x62x4.5	Φ45	Φ62	3.5	6.5
180	RB55x75x5.5	Φ55	Φ75	4.5	6.5
200	RB60x80x5.5	Φ60	Φ80	4.5	6.5
225	RB65x85x5.5	Φ65	Φ85	4.5	8
250	RB70x90x5.5	Φ70	Φ90	4.5	8
280-2	RB70x90x5.5	Φ70	Φ90	4.5	8
280-4.6.8	RB85x105x5.5	Φ85	Φ105	4.5	8
315-2	RB80x100x5.5	Φ80	Φ100	4.5	8
315-4.6.8	RB95x115x5.5	Φ95	Φ115	4.5	8



▶ YVF2-H 系列变频调速三相异步电动机 YVF2-H Series Converter-Fed Three-Phase Induction motor



◆ 产品概述 Product Introduction

YVF2-H 系列变频调速三相异步电动机是以变频调速装置为供电电源的专用船用三相异步电动机，与变频装置组成的系统能够实现无级调速，达到节能和控制自动化的目的。

YVF2 系列电机采用鼠笼结构，运行可靠，维护方便。电机装有独立轴流风机，保证电机在不同转速下均有较好的冷却效果。该系列电机的主要性能符合 JB/T7118-2014 的有关规定，电机壳体采用我公司自主研发的 HM2 系列电机壳体，电机安装尺寸同 YE2 系列电机，符合 IEC 标准的规定。

YVF2-H series frequency control of motor speed three-phase asynchronous motor is a special three-phase asynchronous motor with variable-frequency speed-regulating device as the power supply. The system composed with variable-frequency device can realize infinite speed-regulating and achieve the purpose of energy saving and control automation.

YVF2 series motor adopts squirrel cage structure, reliable operation and easy maintenance. The motor is equipped with an independent axial fan to ensure that the motor has a better cooling effect at different rotate speeds. The main performance of this series of motors conforms to the relevant provisions of JB/ t7118-2014. The motor shell adopts the HM2 series of motor shell independently developed by our company. The motor installation size is the same as YE2 series of motors, which conforms to the provisions of IEC standards.

◆ 详细说明 Specification

◆ 现场条件

YVF2-H 系列电机标准工作条件为 0°C 到 +45°C。

◆ 温升和绝缘

电动机按 155 (F) 级绝缘设计，按 B 级绝缘考核 (80K)，电动机的使用寿命和可靠性得到保证。

◆ 冷却方式

电机带独立轴流风机，冷却方式为 IC416。

◆ 防护等级

电机的防护等级为 IP55。

◆ 电压、频率

标准电压为 380V，标准频率为 50Hz。

◆ 调频范围

电机在规定频率范围内应能保证转矩 (3Hz~50Hz) 或恒功率 (对 2 极电动机 50Hz~60Hz, 对 355-4 以外的 4 极、6 极电动机 50Hz~100Hz, 对 355-4 电动机 50Hz~75Hz) 运行。

◆ 接法

55kW 及以下电机采用 Y 接，55kW 以上电机采用 Δ 接。

◆ 电机保护

可根据要求安装 PTC、PT100 等绕组和轴承测温及保护装置。

◆ 电机传感器

可根据用户要求安装电机传感器。

◆ 质量保证

从产品设计到产品出厂，遵循 ISO9001 质量认证体系，严格遵守质量程序。

◆ Site condition

The standard working conditions of YVF2-H series motor are from 0°C to +45°C.

◆ Temperature rise and insulation

155(F) class insulation system and temperature rise class B (80K) are adopted to the motor, which increase the motor useful life and reliability.

◆ Cooling method

The motor is equipped with an independent axial fan, cooling method is IC416.

◆ Protection degree

The standard protection degree of the motor is IP55

◆ Voltage、frequency

The standard voltage is 380V and the standard frequency is 50Hz.

◆ Variable-frequency range

The motor should be able to ensure torque (3Hz~50Hz) or constant power in the specified frequency range for operating (for 2pole motors 50 Hz~ 60Hz; for 4pole、6pole motors except 355-4p 50 Hz~ 100 Hz; for 355-4 pole motor, 50 Hz~75 Hz).

◆ Connection

The motor of 55kW and below is connected by Y, and the motor of 55kW and above is connected by Δ

◆ Protection for motor

PTC PT100 in windings and bearings can be installed as required.

◆ Motor sensor

Motor sensor can be installed according to customer' s requirements.

◆ Quality guarantee

From the product design to the delivery of products, follow the ISO9001 quality certification system, strict compliance with quality procedures.

技术数据 Technical Data

YVF2-H 系列船用三相异步电动机
YVF2-H series marine three-phase asynchronous motor

产品型号 Type	额定电压 Rated voltage(380V)		额定功率 Rated power (kW)	绝缘等级 Insulation class	工作定额 Rating	外壳防护等级 Degree of protection	图纸批准号 Drawings Approval No.
	额定频率 Rated frequency(50Hz)						
	额定电流 Rated current(A)	额定转速 Rated speed (r/min)					
YVF2-801-2-H	1.8	2855	0.75	F	S1	IP44/IP55/IP56	QD09A00002
YVF2-802-2-H	2.6	2855	1.1	F	S1	IP44/IP55/IP56	QD09A00002
YVF2-90S-2-H	3.5	2875	1.5	F	S1	IP44/IP55/IP56	QD09A00002
YVF2-90L-2-H	4.9	2875	2.2	F	S1	IP44/IP55/IP56	QD09A00002
YVF2-100L-2-H	6.2	2880	3	F	S1	IP44/IP55/IP56	QD09A00002
YVF2-112M-2-H	8.2	2900	4	F	S1	IP44/IP55/IP56	QD09A00002
YVF2-132S1-2-H	11	2900	5.5	F	S1	IP44/IP55/IP56	QD09A00002
YVF2-132S2-2-H	14.6	2900	7.5	F	S1	IP44/IP55/IP56	QD09A00002
YVF2-160M1-2-H	21.6	2940	11	F	S1	IP44/IP55/IP56	QD09A00002
YVF2-160M2-2-H	28.9	2940	15	F	S1	IP44/IP55/IP56	QD09A00002
YVF2-160L-2-H	35.7	2940	18.5	F	S1	IP44/IP55/IP56	QD09A00002
YVF2-180M-2-H	42.4	2955	22	F	S1	IP44/IP55/IP56	QD09A00002
YVF2-200L1-2-H	57.9	2965	30	F	S1	IP44/IP55/IP56	QD09A00002
YVF2-200L2-2-H	69.4	2965	37	F	S1	IP44/IP55/IP56	QD09A00002
YVF2-225M-2-H	85.9	2970	45	F	S1	IP44/IP55/IP56	QD09A00002
YVF2-250M-2-H	103.2	2975	55	F	S1	IP44/IP55/IP56	QD09A00002
YVF2-280S-2-H	139.2	2975	75	F	S1	IP44/IP55/IP56	QD09A00002
YVF2-280M-2-H	167.1	2975	90	F	S1	IP44/IP55/IP56	QD09A00002
YVF2-315S-2-H	203	2980	110	F	S1	IP44/IP55/IP56	QD09A00002
YVF2-315M-2-H	242.3	2980	132	F	S1	IP44/IP55/IP56	QD09A00002
YVF2-315L1-2-H	292.1	2980	160	F	S1	IP44/IP55/IP56	QD09A00002
YVF2-315L2-2-H	365.2	2980	200	F	S1	IP44/IP55/IP56	QD09A00002
YVF2-355M1-2-H	401.7	2980	220	F	S1	IP44/IP55/IP56	QD09A00002
YVF2-355M2-2-H	451.4	2980	250	F	S1	IP44/IP55/IP56	QD09A00002
YVF2-355L1-2-H	505.6	2980	280	F	S1	IP44/IP55/IP56	QD09A00002
YVF2-355L2-2-H	565.7	2980	315	F	S1	IP44/IP55/IP56	QD09A00002

技术数据 Technical Data

YVF2-H 系列船用三相异步电动机
YVF2-H series marine three-phase asynchronous motor

产品型号 Type	额定电压 Rated voltage(380V)		额定功率 Rated power (kW)	绝缘等级 Insulation class	工作定额 Rating	外壳防护等级 Degree of protection	图纸批准号 Drawings Approval No.
	额定频率 Rated frequency(50Hz)						
	额定电流 Rated current(A)	额定转速 Rated speed (r/min)					
YVF2-80M1-4-H	1.5	1400	0.55	F	S1	IP44/IP55/IP56	QD09A00002
YVF2-80M2-4-H	2.1	1400	0.75	F	S1	IP44/IP55/IP56	QD09A00002
YVF2-90S-4-H	2.7	1425	1.1	F	S1	IP44/IP55/IP56	QD09A00002
YVF2-90L-4-H	3.6	1425	1.5	F	S1	IP44/IP55/IP56	QD09A00002
YVF2-100L1-4-H	5.1	1440	2.2	F	S1	IP44/IP55/IP56	QD09A00002
YVF2-100L2-4-H	6.8	1440	3	F	S1	IP44/IP55/IP56	QD09A00002
YVF2-112M-4-H	8.9	1450	4	F	S1	IP44/IP55/IP56	QD09A00002
YVF2-132S-4-H	11.7	1455	5.5	F	S1	IP44/IP55/IP56	QD09A00002
YVF2-132M-4-H	15.4	1455	7.5	F	S1	IP44/IP55/IP56	QD09A00002
YVF2-160M-4-H	22.8	1465	11	F	S1	IP44/IP55/IP56	QD09A00002
YVF2-160L-4-H	30.5	1465	15	F	S1	IP44/IP55/IP56	QD09A00002
YVF2-180M-4-H	35.9	1470	18.5	F	S1	IP44/IP55/IP56	QD09A00002
YVF2-180L-4-H	42.2	1475	22	F	S1	IP44/IP55/IP56	QD09A00002
YVF2-200L-4-H	57.3	1475	30	F	S1	IP44/IP55/IP56	QD09A00002
YVF2-225S-4-H	70.2	1480	37	F	S1	IP44/IP55/IP56	QD09A00002
YVF2-225M-4-H	84	1480	45	F	S1	IP44/IP55/IP56	QD09A00002
YVF2-250M-4-H	102.7	1480	55	F	S1	IP44/IP55/IP56	QD09A00002
YVF2-280S-4-H	139.2	1485	75	F	S1	IP44/IP55/IP56	QD09A00002
YVF2-280M-4-H	164.3	1485	90	F	S1	IP44/IP55/IP56	QD09A00002
YVF2-315S-4-H	200.8	1485	110	F	S1	IP44/IP55/IP56	QD09A00002
YVF2-315M-4-H	239.7	1485	132	F	S1	IP44/IP55/IP56	QD09A00002
YVF2-315L1-4-H	289	1485	160	F	S1	IP44/IP55/IP56	QD09A00002
YVF2-315L2-4-H	361.3	1485	200	F	S1	IP44/IP55/IP56	QD09A00002
YVF2-355M1-4-H	408.7	1490	220	F	S1	IP44/IP55/IP56	QD09A00002
YVF2-355M2-4-H	464.5	1490	250	F	S1	IP44/IP55/IP56	QD09A00002
YVF2-355L1-4-H	517.5	1490	280	F	S1	IP44/IP55/IP56	QD09A00002
YVF2-355L2-4-H	582.1	1490	315	F	S1	IP44/IP55/IP56	QD09A00002

技术数据 Technical Data

YVF2-H 系列船用三相异步电动机

YVF2-H series marine three-phase asynchronous motor

产品型号 Type	额定电压 Rated voltage(380V)		额定功率 Rated power (kW)	绝缘等级 Insulation class	工作定额 Rating	外壳防护等级 Degree of protection	图纸批准号 Drawings Approval No.
	额定频率 Rated frequency(50Hz)						
	额定电流 Rated current(A)	额定转速 Rated speed (r/min)					
YVF2-80M1-6-H	1	903	0.37	F	S1	IP44/IP55/IP56	QD09A00002
YVF2-80M2-6-H	1.4	903	0.55	F	S1	IP44/IP55/IP56	QD09A00002
YVF2-90S-6-H	2.2	935	0.75	F	S1	IP44/IP55/IP56	QD09A00002
YVF2-90L-6-H	3.2	940	1.1	F	S1	IP44/IP55/IP56	QD09A00002
YVF2-100L-6-H	4	945	1.5	F	S1	IP44/IP55/IP56	QD09A00002
YVF2-112M-6-H	5.8	950	2.2	F	S1	IP44/IP55/IP56	QD09A00002
YVF2-132S-6-H	7.2	960	3	F	S1	IP44/IP55/IP56	QD09A00002
YVF2-132M1-6-H	9.5	960	4	F	S1	IP44/IP55/IP56	QD09A00002
YVF2-132M2-6-H	12.5	960	5.5	F	S1	IP44/IP55/IP56	QD09A00002
YVF2-160M-6-H	17.1	970	7.5	F	S1	IP44/IP55/IP56	QD09A00002
YVF2-160L-6-H	25	970	11	F	S1	IP44/IP55/IP56	QD09A00002
YVF2-180L-6-H	33	975	15	F	S1	IP44/IP55/IP56	QD09A00002
YVF2-200L1-6-H	37.6	980	18.5	F	S1	IP44/IP55/IP56	QD09A00002
YVF2-200L2-6-H	44.7	980	22	F	S1	IP44/IP55/IP56	QD09A00002
YVF2-225M-6-H	61.1	985	30	F	S1	IP44/IP55/IP56	QD09A00002
YVF2-250M-6-H	71	985	37	F	S1	IP44/IP55/IP56	QD09A00002
YVF2-280S-6-H	86.4	990	45	F	S1	IP44/IP55/IP56	QD09A00002
YVF2-280M-6-H	103.2	990	55	F	S1	IP44/IP55/IP56	QD09A00002
YVF2-315S-6-H	141.1	990	75	F	S1	IP44/IP55/IP56	QD09A00002
YVF2-315M-6-H	168.6	990	90	F	S1	IP44/IP55/IP56	QD09A00002
YVF2-315L1-6-H	205.5	990	110	F	S1	IP44/IP55/IP56	QD09A00002
YVF2-315L2-6-H	245.8	990	132	F	S1	IP44/IP55/IP56	QD09A00002
YVF2-355M1-6-H	302	990	160	F	S1	IP44/IP55/IP56	QD09A00002
YVF2-355M2-6-H	349.2	990	185	F	S1	IP44/IP55/IP56	QD09A00002
YVF2-355M3-6-H	376.7	990	200	F	S1	IP44/IP55/IP56	QD09A00002
YVF2-355L1-6-H	414.4	990	220	F	S1	IP44/IP55/IP56	QD09A00002
YVF2-355L2-6-H	468.9	990	250	F	S1	IP44/IP55/IP56	QD09A00002

技术数据 Technical Data

YVF2-H 系列船用三相异步电动机

YVF2-H series marine three-phase asynchronous motor

产品型号 Type	额定电压 Rated voltage(380V)		额定功率 Rated power (kW)	绝缘等级 Insulation class	工作定额 Rating	外壳防护等级 Degree of protection	图纸批准号 Drawings Approval No.
	额定频率 Rated frequency(50Hz)						
	额定电流 Rated current(A)	额定转速 Rated speed (r/min)					
YVF2-80M1-8-H	0.96	692	0.18	F	S1	IP44/IP55/IP56	QD09A00002
YVF2-80M2-8-H	1.2	689	0.25	F	S1	IP44/IP55/IP56	QD09A00002
YVF2-90S-8-H	1.4	692	0.37	F	S1	IP44/IP55/IP56	QD09A00002
YVF2-90L-8-H	1.8	695	0.55	F	S1	IP44/IP55/IP56	QD09A00002
YVF2-100L1-8-H	2	701	0.75	F	S1	IP44/IP55/IP56	QD09A00002
YVF2-100L2-8-H	2.9	701	1.1	F	S1	IP44/IP55/IP56	QD09A00002
YVF2-112M-8-H	3.5	701	1.5	F	S1	IP44/IP55/IP56	QD09A00002
YVF2-132S-8-H	5.8	710	2.2	F	S1	IP44/IP55/IP56	QD09A00002
YVF2-132M-8-H	7.6	710	3	F	S1	IP44/IP55/IP56	QD09A00002
YVF2-160M1-8-H	10.5	720	4	F	S1	IP44/IP55/IP56	QD09A00002
YVF2-160M2-8-H	13.4	720	5.5	F	S1	IP44/IP55/IP56	QD09A00002
YVF2-160L-8-H	17.7	720	7.5	F	S1	IP44/IP55/IP56	QD09A00002
YVF2-180L-8-H	25.6	730	11	F	S1	IP44/IP55/IP56	QD09A00002
YVF2-200L-8-H	33.3	730	15	F	S1	IP44/IP55/IP56	QD09A00002
YVF2-225S-8-H	40.3	730	18.5	F	S1	IP44/IP55/IP56	QD09A00002
YVF2-225M-8-H	47.4	740	22	F	S1	IP44/IP55/IP56	QD09A00002
YVF2-250M-8-H	64.7	740	30	F	S1	IP44/IP55/IP56	QD09A00002
YVF2-280S-8-H	79.8	740	37	F	S1	IP44/IP55/IP56	QD09A00002
YVF2-280M-8-H	94.8	740	45	F	S1	IP44/IP55/IP56	QD09A00002
YVF2-315S-8-H	113.5	740	55	F	S1	IP44/IP55/IP56	QD09A00002
YVF2-315M-8-H	152.1	740	75	F	S1	IP44/IP55/IP56	QD09A00002
YVF2-315L1-8-H	179.3	740	90	F	S1	IP44/IP55/IP56	QD09A00002
YVF2-315L2-8-H	218.5	740	110	F	S1	IP44/IP55/IP56	QD09A00002
YVF2-355M1-8-H	264.8	740	132	F	S1	IP44/IP55/IP56	QD09A00002
YVF2-355M2-8-H	320.3	740	160	F	S1	IP44/IP55/IP56	QD09A00002
YVF2-355L1-8-H	370.4	740	185	F	S1	IP44/IP55/IP56	QD09A00002
YVF2-355L2-8-H	399.1	740	200	F	S1	IP44/IP55/IP56	QD09A00002
YVF2-355M1-10-H	230	590	110	F	S1	IP44/IP55/IP56	QD09A00002
YVF2-355M2-10-H	275	590	132	F	S1	IP44/IP55/IP56	QD09A00002
YVF2-355L1-10-H	333	590	160	F	S1	IP44/IP55/IP56	QD09A00002
YVF2-355L2-10-H	417	590	185	F	S1	IP44/IP55/IP56	QD09A00002

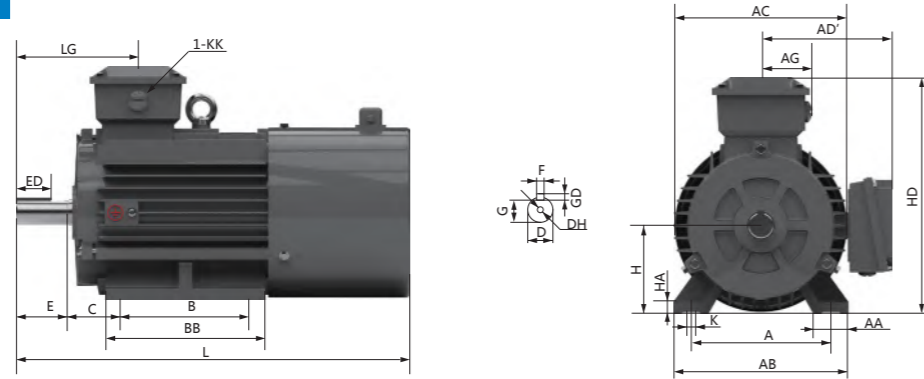
◆ B3 外形及安装尺寸 Dimensions Foot Mount B3

◆ B3 外形及安装尺寸 Dimensions Foot Mount B3

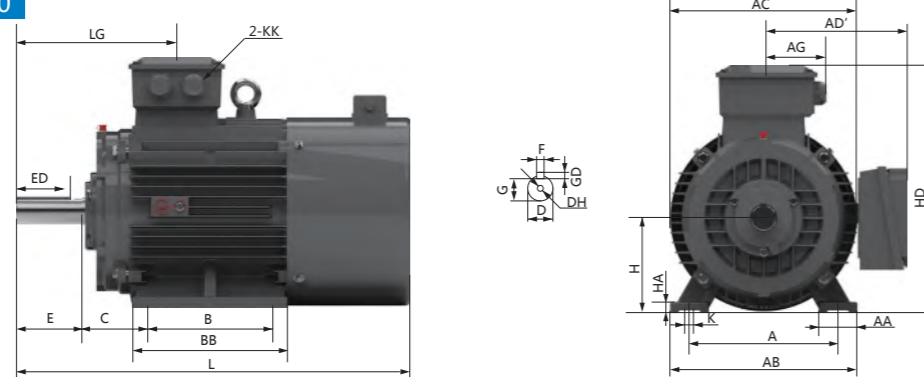
YVF2-H

YVF2-H

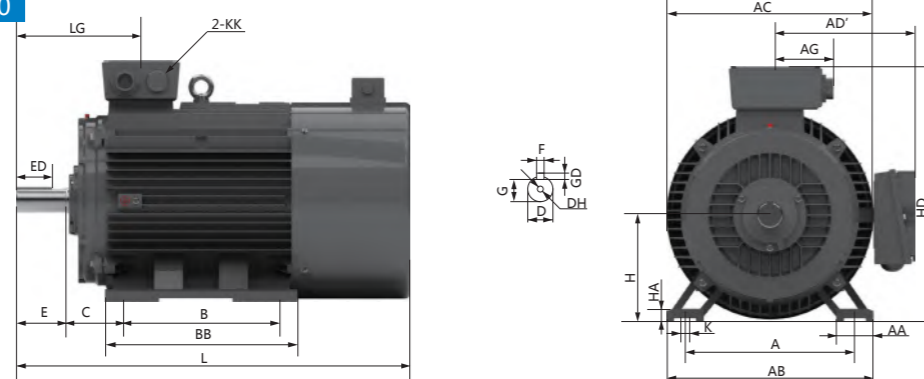
YVF2-H-80~132



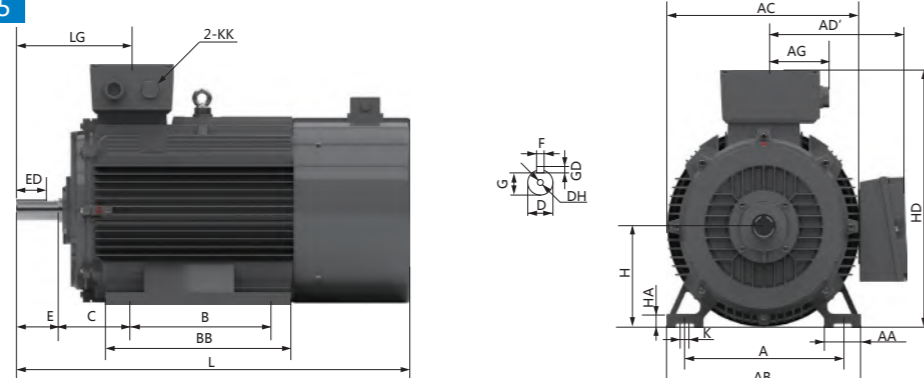
YVF2-H-160~200



YVF2-H-225~280



YVF2-H-315~355



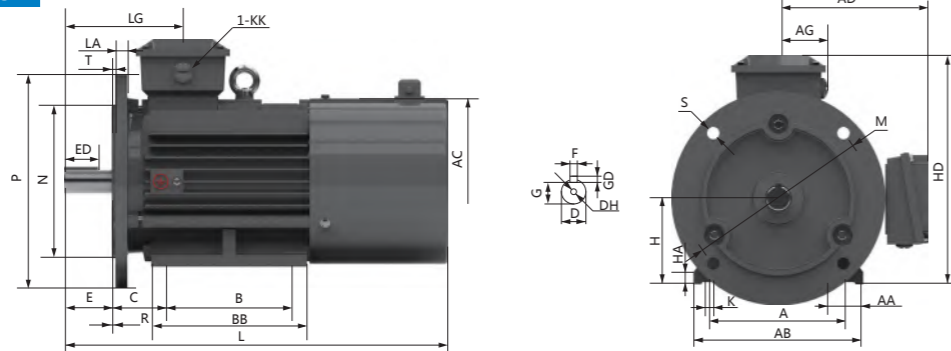
机座号 FRAME SIZE	极数 POLES	A	AA	AB	AC	AD'	AG	B	BB	C	D	DH	E	ED	F	G	GD	H	HA	HD	K	KK	L	LG
																							IC416	
80M	2-8	125	34	160	175	140	51	100	130	50	19	M6X16	40	22	6	15.5	6	80	10	230	10	M22X1.5	344	106
90S	2-8	140	36	180	190	150	60	100	135	56	24	M8X19	50	32	8	20	7	90	12.5	255	10	M22X1.5	398	124
90L	2-8	140	36	180	190	150	60	125	160	56	24	M8X19	50	32	8	20	7	90	12.5	255	10	M22X1.5	423	124
100L	2-8	160	40	200	215	160	60	140	182	63	28	M10X22	60	40	8	24	7	100	14	270	12	M22X1.5	452.5	140
112M	2-8	190	45	230	236	185	75	140	195	70	28	M10X22	60	40	8	24	7	112	14	310	12	M22X1.5	465	145
132S	2-8	216	52	265	275	205	75	140	205	89	38	M12X28	80	56	10	33	8	132	16	350	12	M22X1.5	523	169
132M	2-8	216	52	265	275	205	75	178	245	89	38	M12X28	80	56	10	33	8	132	16	350	12	M22X1.5	563	169
160M	2-8	254	65	320	330	250	95	210	260	108	42	M16X36	110	80	12	37	8	160	19	425	14.5	M36X2	658.5	270
160L	2-8	254	65	320	330	250	95	254	305	108	42	M16X36	110	80	12	37	8	160	19	425	14.5	M36X2	702.5	270
180M	2-8	279	74	350	380	270	95	241	297	121	48	M16X36	110	80	14	42.5	9	180	22	460	14.5	M36X2	722	277
180L	2-8	279	74	350	380	270	95	279	335	121	48	M16X36	110	80	14	42.5	9	180	22	460	14.5	M36X2	760	277
200L	2-8	318	75	395	420	325	120	305	370	133	55	M20X42	110	80	16	49	10	200	25	515	18.5	M42X2	847	298
225S	4-8	356	80	436	465	335	120	286	355	149	60	M20X42	140	100	18	53	11	225	28	560	18.5	M42X2	892	340
225M	2	356	80	436	465	335	120	311	380	149	55	M20X42	110	80	16	49	10	225	28	560	18.5	M42X2	887	310
225M	4-8	356	80	436	465	335	120	311	380	149	60	M20X42	140	100	18	53	11	225	28	560	18.5	M42X2	917	340
250M	2	406	88	495	520	370	160	349	440	168	60	M20X42	140	100	18	53	11	250	33	620	24	M68X3	1010	353
250M	4-8	406	88	495	520	370	160	349	440	168	65	M20X42	140	100	18	58	11	250	33	620	24	M68X3	1010	353
280S	2	457	100	550	570	400	160	368	495	190	65	M20X42	140	100	18	58	11	280	35	685	24	M68X3	1050	350
280S	4-8	457	100	550	570	400	160	368	495	190	75	M20X42	140	100	20	67.5	12	280	35	685	24	M68X3	1065	350
280M	2	457	100	550	570	400	160	419	535	190	65	M20X42	140	100	18	58	11	280	35	685	24	M68X3	1090	350
280M	4-8	457	100	550	570	400	160	419	535	190	75	M20X42	140	100	20	67.5	12	280	35	685	24	M68X3	1105	350
315S	2	508	120	630	650	495	195	406	515	216	65	M20X42	140	100	18	58	11	315	45	820	28	M68X3	1220	387
315M	2	508	120	630	650	495	195	457	625	216	65	M20X42	140	100	18	58	11	315	45	820	28	M68X3	1330	387
315L	2	508	120	630	650	495	195	508	625	216	65	M20X42	140	100	18	58	11	315	45	820	28	M68X3	1330	387
315S	4-8	508	120	630	650	495	195	406	515	216	80	M20X42	170	130	22	71	14	315	45	820	28	M68X3	1250	417
315M	4-8	508	120	630	650	495	195	457	625	216	80	M20X42	170	130	22	71	14	315	45	820	28	M68X3	1360	417
315L	4-8	508	120	630	650	495	195	508	625	216	80	M20X42	170	130	22	71	14	315	45	820	28	M68X3	1360	417
355M	2	610	125	735	735	640	330	560	775	254	75	M24X50	140	110	20	67.5	12	355	49	1000	28	M68X3	1670	415
355L	2	610	125	735	735	640	330	630	775	254	75	M24X50	140	110	20	67.5	12	355	49	1000	28	M68X3	1670	415
355M	4-8	610	125	735	735	640	330	560	775	254	95	M24X50	170	140	25	86	14	355	49	1000	28	M68X3	1700	445
355L	4-8	610	125	735	735	640	330	630	775	254	95	M24X50	170	140	25	86	14	355	49	1000	28	M68X3	1700	445
355L	2	610	125	735	735	640	260	630	875	254	75	M24X50	140	110	20	67.5	12	355	49	1000	28	M68X3	1770	415
355L	4-8	610	125	735	735	640	260	630	875	254	95	M24X50	170	140	25	86	14	355	49	1000	28	M68X3	1800	445

注：
1. 图中 DH 默认为不带螺纹的中心孔，可根据需要加工成螺纹孔。
The 'DH' defaults to a non-threaded center hole and it can be machined into a threaded hole as required
2. 80-132 机座号的 L 尺寸公差 +5,160-355 机座号的 L 尺寸公差 +8。
The dimension of 'L' with tolerance +5 for frame 80-132,tolerance +8 for frame 160-355.
3. 因 355 机座号功率较多，安装尺寸不同，订货时请另询外形图
Due to the motors with frame size 355 have various powers,the installation size is different, please consult the external outline drawing when ordering.

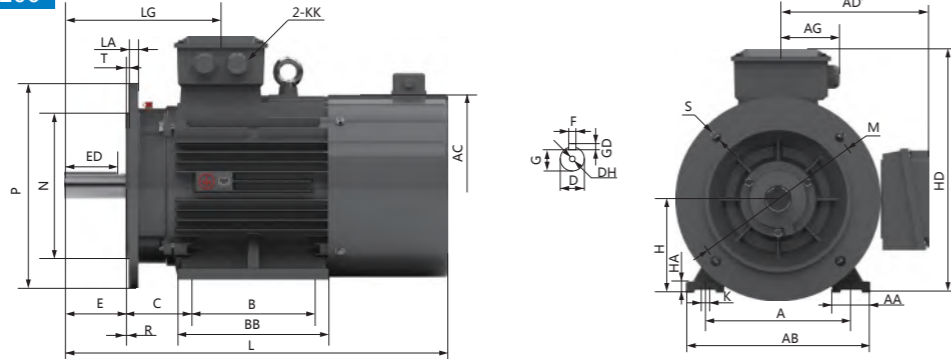
◆ B35 外形及安装尺寸 Dimensions Foot-Flange Mount B35

◆ B35 外形及安装尺寸 Dimensions Foot-Flange Mount B35

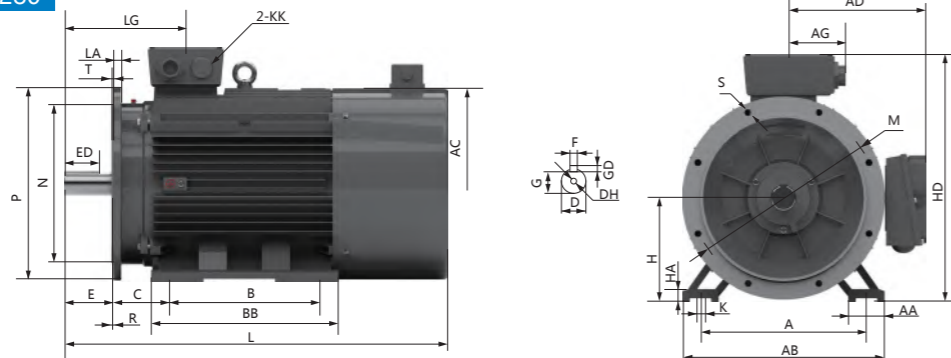
YVF2-H-80~132



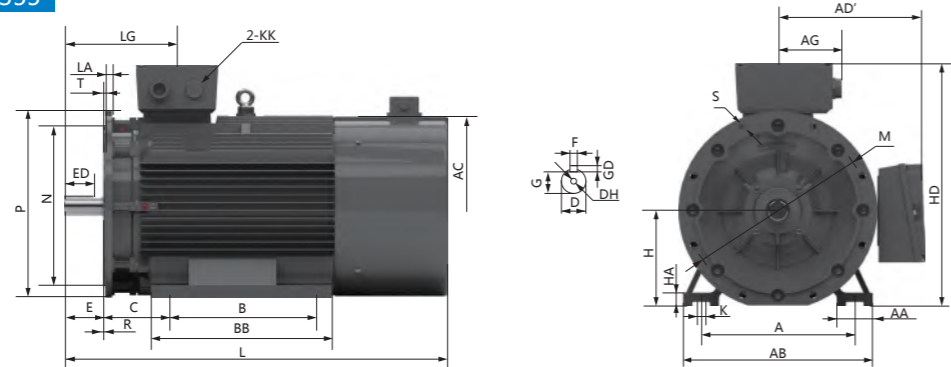
YVF2-H-160~200



YVF2-H-225~280



YVF2-H-315~355



机座号 FRAME SIZE	极数 POLES	A	AA	AB	AC	AD'	AG	B	BB	C	D	DH	E	ED	F	G	GD	H	HA	HD	K	KK	L		LG	LA	M	N	P	S	T
		IC416																													
80M	2-8	125	34	160	175	140	51	100	130	50	19	M6X16	40	22	6	15.5	6	80	10	230	10	M22X1.5	344	106	12	165	130	200	12	3.5	
90S	2-8	140	36	180	190	150	60	100	135	56	24	M8X19	50	32	8	20	7	90	12.5	255	10	M22X1.5	398	124	12	165	130	200	12	3.5	
90L	2-8	140	36	180	190	150	60	125	160	56	24	M8X19	50	32	8	20	7	90	12.5	255	10	M22X1.5	423	124	12	165	130	200	12	3.5	
100L	2-8	160	40	200	215	160	60	140	182	63	28	M10X22	60	40	8	24	7	100	14	270	12	M22X1.5	452.5	140	14	215	180	250	14.5	4	
112M	2-8	190	45	230	236	185	75	140	195	70	28	M10X22	60	40	8	24	7	112	14	310	12	M22X1.5	465	145	14	215	180	250	14.5	4	
132S	2-8	216	52	265	275	205	75	140	205	89	38	M12X28	80	56	10	33	8	132	16	350	12	M22X1.5	523	169	14	265	230	300	14.5	4	
132M	2-8	216	52	265	275	205	75	178	245	89	38	M12X28	80	56	10	33	8	132	16	350	12	M22X1.5	563	169	14	265	230	300	14.5	4	
160M	2-8	254	65	320	330	250	95	210	260	108	42	M16X36	110	80	12	37	8	160	19	425	14.5	M36X2	658.5	270	15	300	250	350	18.5	5	
160L	2-8	254	65	320	330	250	95	254	305	108	42	M16X36	110	80	12	37	8	160	19	425	14.5	M36X2	702.5	270	15	300	250	350	18.5	5	
180M	2-8	279	74	350	380	270	95	241	297	121	48	M16X36	110	80	14	42.5	9	180	22	460	14.5	M36X2	722	277	15	300	250	350	18.5	5	
180L	2-8	279	74	350	380	270	95	279	335	121	48	M16X36	110	80	14	42.5	9	180	22	460	14.5	M36X2	760	277	15	300	250	350	18.5	5	
200L	2-8	318	75	395	420	325	120	305	370	133	55	M20X42	110	80	16	49	10	200	25	515	18.5	M42X2	847	298	17	350	300	400	18.5	5	
225S	4-8	356	80	436	465	335	120	286	355	149	60	M20X42	140	100	18	53	11	225	28	560	18.5	M42X2	892	340	19	400	350	450	18.5	5	
225M	2	356	80	436	465	335	120	311	380	149	55	M20X42	110	80	16	49	10	225	28	560	18.5	M42X2	887	310	19	400	350	450	18.5	5	
250M	2	406	88	495	520	370	160	349	440	168	60	M20X42	140	100	18	53	11	250	33	620	24	M68X3	1010	353	20	500	450	550	18.5	5	
250M	4-8	406	88	495	520	370	160	349	440	168	65	M20X42	140	100	18	58	11	250	33	620	24	M68X3	1010	353	20	500	450	550	18.5	5	
280S	2	457	100	550	570	400	160	368	495	190	65	M20X42	140	100	18	58	11	280	35	685	24	M68X3	1050	350	22	500	450	550	18.5	5	
280S	4-8	457	100	550	570	400	160	368	495	190	75	M20X42	140	100	20	67.5	12	280	35	685	24	M68X3	1065	350	22	500	450	550	18.5	5	
280M	2	457	100	550	570	400	160	419	535	190	65	M20X42	140	100	18	58	11	280	35	685	24	M68X3	1090	350	22	500	450	550	18.5	5	
280M	4-8	457	100	550	570	400	160	419	535	190	75	M20X42	140	100	20	67.5	12	280	35	685	24	M68X3	1105	350	22	500	450	550	18.5	5	
315S	2	508	120	630	650	495	195	406	515	216	65	M20X42	140	100	18	58	11	315	45	820	28	M68X3	1220	387	24	600	550	660	24	6	
315M	2	508	120	630	650	495	195	457	625	216	65	M20X42	140	100	18	58	11	315	45	820	28	M68X3	1330	387	24	600	550	660	24	6	
315L	2	508	120	630	650	495	195	508	625	216	65	M20X42	140	100	18	58	11	315	45	820	28	M68X3	1330	387	24	600	550	660	24	6	
315S	4-8	508	120	630	650	495	195	406	515	216	80	M20X42	170	130	22	71	14	315	45	820	28	M68X3	1250	417	24	600	550	660	24	6	
315M	4-8	508	120	630	650	495	195	457	625	216	80	M20X42	170	130	22	71	14	315	45	820	28	M68X3	1360	417	24	600	550	660	24	6	
315L	4-8	508	120	630	650	495	195	508	625	216	80	M20X42	170	130	22	71	14	315	45	820	28	M68X3	1360	417	24	600	550	660	24	6	
355M	2	610	125	735	735	640	330	560	775	254	75	M24X50	140	110	20	67.5	12	355	49	1000	28	M68X3	1670	415	25	740	680	800	24	6	
355L	2	610	125	735	735	640	330	630	775	254	75	M24X50	140	110	20	67.5	12	355	49	1000	28	M68X3	1670	415	25	740	680	800	24	6	
355M	4-8	610	125	735	735	640	330	560	775	254	95	M24X50	170	140	25	86	14	355	49	1000	28	M68X3	1700	445	25	740	680	800	24	6	
355L	4-8	610	125	735	735	640	330	630	775	254	95	M24X50	170	140	25	86	14	355	49	1000	28	M68X3	1700	445	25	740	680	800	24	6	
355L	2	610	125	735	735	640	260	630	875	254	75	M24X50	140	110	20	67.5	12	355	49	1000	28	M68X3	1770	415	25	740	680	800	24	6	
355L	4-8	610	125	735	735	640	260	630	875	254	95	M24X50	170	140	25	86	14	355	49	1000	28	M68X3	1800	445	25	740	680	800	24	6	

注：
 1、图中 R 尺寸值均为 0。The 'R' dimensions is zero.
 2、图中 DH 默认为不带螺纹的中心孔，可根据需要加工成螺纹孔。
 The 'DH' defaults to a non-threaded center hole and it can be machined into a threaded hole as required
 3、80-132 机座号的 L 和 LM 尺寸公差 +5,160-355 机座号的 L 和 LM 尺寸公差 +8
 The dimension of 'L' and 'LM' with tolerance +5 for frame 80-132,tolerance +8 for frame 160-355.
 4、因 355 机座号功率较多，安装尺寸不同，订货时请另询外形图
 Due to the motors with frame size 355 have various powers,the installation size is different, please consult the external outline drawing when ordering.

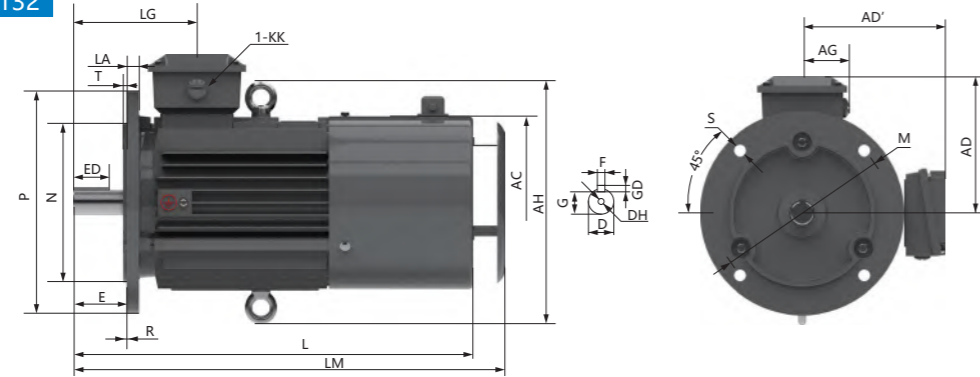
◆ B5&V1 外形及安装尺寸 Dimensions Flange Mount B5&V1

◆ B5&V1 外形及安装尺寸 Dimensions Flange Mount B5&V1

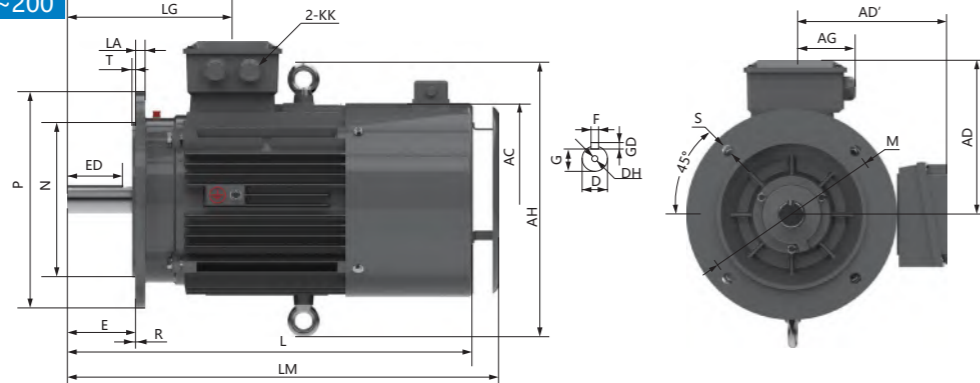
YVF2-H

YVF2-H

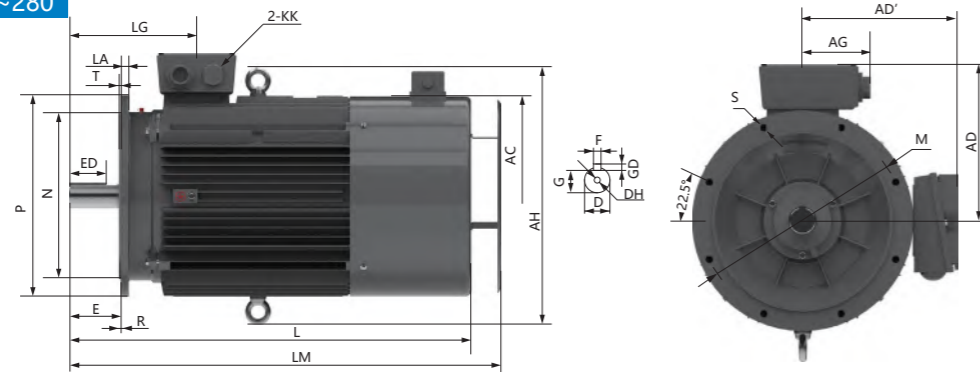
YVF2-H-80~132



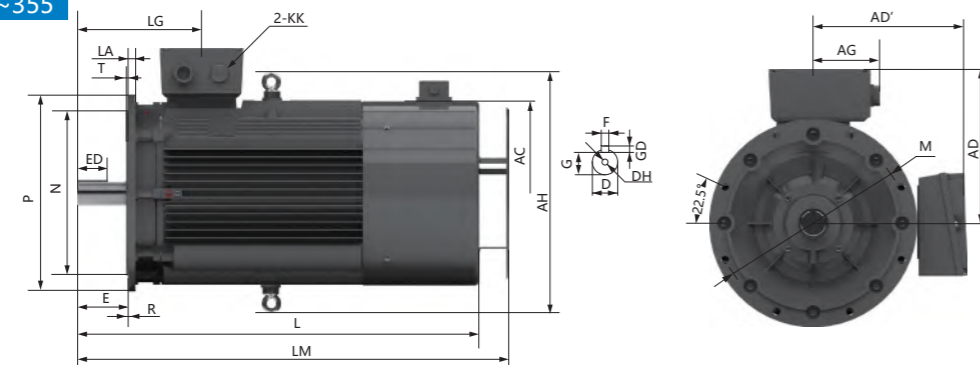
YVF2-H-160~200



YVF2-H-225~280



YVF2-H-315~355



机座号 FRAME SIZE	极数 POLES	AC	AD	AD'	AG	D	DH	E	ED	F	G	GD	KK	L		LA	M	N	P	S	T
														IC416	LG						
80M	2-8	175	150	140	51	19	M6X16	40	22	6	15.5	6	M22X1.5	344	106	12	165	130	200	12	3.5
90S	2-8	190	165	150	60	24	M8X19	50	32	8	20	7	M22X1.5	398	124	12	165	130	200	12	3.5
90L	2-8	190	165	150	60	24	M8X19	50	32	8	20	7	M22X1.5	423	124	12	165	130	200	12	3.5
100L	2-8	215	170	160	60	28	M10X22	60	40	8	24	7	M22X1.5	452.5	140	14	215	180	250	14.5	4
112M	2-8	236	195	185	75	28	M10X22	60	40	8	24	7	M22X1.5	465	145	14	215	180	250	14.5	4
132S	2-8	275	215	205	75	38	M12X28	80	56	10	33	8	M22X1.5	523	169	14	265	230	300	14.5	4
132M	2-8	275	215	205	75	38	M12X28	80	56	10	33	8	M22X1.5	563	169	14	265	230	300	14.5	4
160M	2-8	330	265	250	95	42	M16X36	110	80	12	37	8	M36X2	658.5	270	15	300	250	350	18.5	5
160L	2-8	330	265	250	95	42	M16X36	110	80	12	37	8	M36X2	702.5	270	15	300	250	350	18.5	5
180M	2-8	380	280	270	95	48	M16X36	110	80	14	42.5	9	M36X2	722	277	15	300	250	350	18.5	5
180L	2-8	380	280	270	95	48	M16X36	110	80	14	42.5	9	M36X2	760	277	15	300	250	350	18.5	5
200L	2-8	420	315	325	120	55	M20X42	110	80	16	49	10	M42X2	847	298	17	350	300	400	18.5	5
225S	4-8	465	335	335	120	60	M20X42	140	100	18	53	11	M42X2	892	340	19	400	350	450	18.5	5
225M	2	465	335	335	120	55	M20X42	110	80	16	49	10	M42X2	887	310	19	400	350	450	18.5	5
225M	4-8	465	335	335	120	60	M20X42	140	100	18	53	11	M42X2	917	340	19	400	350	450	18.5	5
250M	2	520	375	370	160	60	M20X42	140	100	18	53	11	M68X3	1010	353	20	500	450	550	18.5	5
250M	4-8	520	375	370	160	65	M20X42	140	100	18	58	11	M68X3	1010	353	20	500	450	550	18.5	5
280S	2	570	395	400	160	65	M20X42	140	100	18	58	11	M68X3	1050	350	22	500	450	550	18.5	5
280S	4-8	570	395	400	160	75	M20X42	140	100	20	67.5	12	M68X3	1065	350	22	500	450	550	18.5	5
280M	2	570	395	400	160	65	M20X42	140	100	18	58	11	M68X3	1090	350	22	500	450	550	18.5	5
280M	4-8	570	395	400	160	75	M20X42	140	100	20	67.5	12	M68X3	1105	350	22	500	450	550	18.5	5
315S	2	650	500	495	195	65	M20X42	140	100	18	58	11	M68X3	1220	387	24	600	550	660	24	6
315M	2	650	500	495	195	65	M20X42	140	100	18	58	11	M68X3	1330	387	24	600	550	660	24	6
315L	2	650	500	495	195	65	M20X42	140	100	18	58	11	M68X3	1330	387	24	600	550	660	24	6
315S	4-8	650	500	495	195	80	M20X42	170	130	22	71	14	M68X3	1250	417	24	600	550	660	24	6
315M	4-8	650	500	495	195	80	M20X42	170	130	22	71	14	M68X3	1360	417	24	600	550	660	24	6
315L	4-8	650	500	495	195	80	M20X42	170	130	22	71	14	M68X3	1360	417	24	600	550	660	24	6
355M	2	735	645	640	330	75	M24X50	140	110	20	67.5	12	M68X3	1670	415	25	740	680	800	24	6
355L	2	735	645	640	330	75	M24X50	140	110	20	67.5	12	M68X3	1670	415	25	740	680	800	24	6
355M	4-8	735	645	640	330	95	M24X50	170	140	25	86	14	M68X3	1700	445	25	740	680	800	24	6
355L	4-8	735	645	640	330	95	M24X50	170	140	25	86	14	M68X3	1700	445	25	740	680	800	24	6
355L	2	735	645	640	260	75	M24X50	140	110	20	67.5	12	M68X3	1770	415	25	740	680	800	24	6
355L	4-8	735	645	640	260	95	M24X50	170	140	25	86	14	M68X3	1800	445	25	740	680	800	24	6

注：
 1、图中R尺寸值均为0。The 'R' dimensions is zero.
 2、图中DH默认为不带螺纹的中心孔，可根据需要加工成螺纹孔。
 The 'DH' defaults to a non-threaded center hole and it can be machined into a threaded hole as required
 3、80-132机座号的L和LM尺寸公差+/-5,160-355机座号的L和LM尺寸公差+8
 The dimension of 'L' and 'LM' with tolerance +/-5 for frame 80-132,tolerance +/-8 for frame 160-355.
 4、因355机座号功率较多，安装尺寸不同，订货时请另询外形图
 Due to the motors with frame size 355 have various powers,the installation size is different, please consult the external outline drawing when ordering.

IC416 系列所配风机参数 Fan parameters of IC416 series

电机机座号 Motor Frame	型号 Type	功率 Power kW	转速 Speed r/min	风压 Pa	风机风量 m ³ /h	噪声 Noise dB(A)
80	G80A	28	2600	60	350	50
90	G90A	30	2600	80	500	50
100	G100A	45	2600	82	650	55
112	G112A	50	2600	110	1000	60
132	G132A	40	1300	70	880	60
160	G160A	80	1300	40	1100	60
180	G180A	105	1360	105	2280	61
200	G200A	150	1400	108	2280	62
225	G225A	190	1370	110	3980	66
250	G250A	250	1380	110	4760	68
280	G280A	420	1350	120	6560	72
315	G315A	550	1330	122	8740	75
355	G355A	1100	1360	120	12250	78

轴承 Bearings

B3、B35、B5				
机座号 Frame Size	轴伸端 Driving End		非轴伸端 Non-driving End	
	2 极 (pole)	4、6、8 极 (pole)	2 极 (pole)	4、6、8 极 (pole)
80	6204ZZ/C3	6204ZZ/C3	6204ZZ/C3	6204ZZ/C3
90	6205ZZ/C3	6205ZZ/C3	6205ZZ/C3	6205ZZ/C3
100	6206ZZ/C3	6206ZZ/C3	6206ZZ/C3	6206ZZ/C3
112	6306ZZ/C3	6306ZZ/C3	6306ZZ/C3	6306ZZ/C3
132	6308ZZ/C3	6308ZZ/C3	6308ZZ/C3	6308ZZ/C3
160	6309ZZ/C3	6309ZZ/C3	6309ZZ/C3	6309ZZ/C3
180	6311C3	6311C3	6311C3	6311C3
200	6312C3	6312C3	6312C3	6312C3
225	6313C3	6313C3	6313C3	6313C3
250	6314C3	6314C3	6314C3	6314C3
280	6314C3	6317C3	6314C3	6317C3
315	6316C3	6319C3(N319)	6316C3	6319C3
355	6319C3	6322C3(N322)	6319C3	6322C3
V1				
机座号 Frame Size	轴伸端 Driving End		非轴伸端 Non-driving End	
	2 极 (pole)	4、6、8 极 (pole)	2 极 (pole)	4、6、8 极 (pole)
315	6316C3	6319C3(N319)	6316C3	6319C3
355	6319C3	6322C3(N322)	7319	7322

▶ YB3-H 系列船用隔爆型三相异步电动机

YB3-H series of Marine flameproof three-phase asynchronous motor



◆ 产品概述 Product Introduction

YB3-H 系列船用隔爆型三相异步电动机符合 GB18613-2012《中小型三相异步电动机能效限定值及能效等级》中规定的三级效率标准，是 YB2-H 系列的更新换代产品。电动机按照 GB3836.2 的规定制成隔爆型，其防爆标志为 Exd II BT4Gb。适用于船舶及海洋工程中含有爆炸性气体环境，并通过中国船级社 CCS 认证。

执行标准为 JB/T7565.6-2015

YB3-H series of Marine flameproof three-phase asynchronous motor is in line with the third efficiency standard in the provisions of

GB18613-2012 "Minimum allowable values of Energy efficiency and energy efficiency grades for small and medium three-phase asynchronous motor". It is the replacement of YB2-H series. The motor is made of flameproof type in accordance with the provisions of GB3836.2, and its flameproof mark is Exd II BT4Gb. It is suitable for the environment containing explosive gas in ships and offshore engineering, and has passed the CCS certification of China Classification Society. The implementation standard is JB/T7565.6-2015.

◆ 详细说明 Specification

◆ 现场条件

YB3-H 系列电动机环境温度最低为 -15℃，环境温度最高为 45℃。环境空气最大相对湿度为 95%。

◆ 温升和绝缘

电动机按 F 级绝缘设计 (155℃)，按 B 级绝缘考核 (80K)，电动机的使用寿命和可靠性得到保证。

◆ 冷却和通风

标准冷却方式为全封闭自扇冷。标准电机装有辅流式铝风扇。符合 IEC60034-6 中 IC411 的规定。

◆ 防护等级

电动机的防护等级为 IP55，可用于含尘或潮湿环境。

◆ 电压、频率

机座号 80-100 电压为 380V、660V、50Hz；440V、460V、60Hz。

机座号 112-355 电压为 380V、660V、380/660V、50Hz；440V、460V、60Hz。

在供电电压偏离额定电压 ±5% 的情况下，仍能良好运行。

◆ 接线盒位置

接线盒在机座上方，进线分为橡胶布线 and 钢管布线两种。

◆ 质量保证

从产品设计到产品出厂，遵循 ISO9001 质量认证体系，严格遵守质量程序。

◆ Site conditions

YB3-H series motors have the lowest ambient temperature of -15 °C and the highest ambient temperature of 45 °C, and the maximum relative humidity of ambient air is 95%.

◆ Temperature rise and insulation

The motor is designed according to F class insulation (155 °C), and examined according to B class insulation (80K). The service life and reliability of the motor are guaranteed.

◆ Cooling and ventilation

The standard cooling method is fully enclosed self-fan cooling. Standard motors are equipped with auxiliary flow aluminium fans. Comply with the requirements of IC411 in IEC60034-6.

◆ Protection class

The motor has a protection rating of IP55 and can be used in dusty or humid environments.

◆ Voltage, frequency

Frame size 80-100 voltage 380V、660V,50Hz;440V、460V,60Hz.

Frame size 112-355 voltage 380V、660V、380/660V、50Hz；440V、460V、60Hz.

It still works well when the supply voltage deviates by 5% from the rated voltage.

◆ Terminal box position

The terminal box is above the frame, and the incoming wiring is divided into two kinds: rubber sleeve wiring and steel tube wiring.

◆ Quality guarantee

From product design to product delivery, we follow the ISO9001 quality certification system and strictly follow the quality procedures.

技术数据 Technical Data

技术数据 Technical Data

YB3-H 系列船用三相异步电动机
YB3-H series marine three-phase asynchronous motor
防爆标志 Explosion-proof Mark: Ex d IIB T4 Gb

YB3-H 系列船用三相异步电动机
YB3-H series marine three-phase asynchronous motor
防爆标志 Explosion-proof Mark: Ex d IIB T4 Gb

产品型号 Type	额定电压 Rated Voltage (380V/660V)		额定电压 Rated Voltage (440V/460V)		额定功率 Rated power (kW)	绝缘等级 Insulation class	工作定额 Rating	外壳防护等级 Degree of protection	图纸批准号 Drawings Approval No.	防爆合格证编号 Ex-Certification No.
	额定频率 Rated frequency (50Hz)		额定频率 Rated frequency (60Hz)							
	额定电流 Rated Current (A)	额定转速 Rated speed (r/min)	额定电流 Rated Current (A)	额定转速 Rated speed (r/min)						
YB3-801-2-H	1.8/1.0	2855	1.6/1.5	3426	0.75	F	S1	IP55	QD19PPP20175	CNEx18.1411
YB3-802-2-H	2.6/1.5	2855	2.2/2.1	3426	1.1	F	S1	IP55	QD19PPP20175	CNEx18.1411
YB3-90S-2-H	3.3/1.9	2875	2.8/2.7	3450	1.5	F	S1	IP55	QD19PPP20175	CNEx18.1412
YB3-90L-2-H	4.7/2.7	2875	4.0/3.8	3450	2.2	F	S1	IP55	QD19PPP20175	CNEx18.1412
YB3-100L-2-H	6.2/3.6	2880	5.3/5.1	3456	3	F	S1	IP55	QD19PPP20175	CNEx18.1413
YB3-112M-2-H	8.0/4.6	2900	6.9/6.6	3480	4	F	S1	IP55	QD19PPP20175	CNEx18.1414
YB3-132S1-2-H	10.9/6.3	2900	9.4/9.0	3480	5.5	F	S1	IP55	QD19PPP20175	CNEx18.1415
YB3-132S2-2-H	14.5/8.4	2900	12.5/12.0	3480	7.5	F	S1	IP55	QD19PPP20175	CNEx18.1415
YB3-160M1-2-H	21.0/12.1	2940	18.2/17.4	3528	11	F	S1	IP55	QD19PPP20175	CNEx18.1416
YB3-160M2-2-H	28.4/16.3	2940	24.8/23.7	3528	15	F	S1	IP55	QD19PPP20175	CNEx18.1416
YB3-160L-2-H	34.7/20.0	2940	30.3/29.0	3528	18.5	F	S1	IP55	QD19PPP20175	CNEx18.1416
YB3-180M-2-H	41.1/23.7	2955	36.0/34.5	3546	22	F	S1	IP55	QD19PPP20175	CNEx18.1417
YB3-200L1-2-H	55.7/32.1	2965	48.8/46.7	3558	30	F	S1	IP55	QD19PPP20175	CNEx18.1418
YB3-200L2-2-H	68.3/39.3	2965	59.7/57.1	3558	37	F	S1	IP55	QD19PPP20175	CNEx18.1418
YB3-225M-2-H	82.7/47.6	2970	72.2/69.0	3564	45	F	S1	IP55	QD19PPP20175	CNEx18.1419
YB3-250M-2-H	100.7/58.0	2975	88.2/84.4	3570	55	F	S1	IP55	QD19PPP20175	CNEx18.1420
YB3-280S-2-H	136.5/78.6	2975	119.5/114.3	3570	75	F	S1	IP55	QD19PPP20175	CNEx18.1421
YB3-280M-2-H	163.3/94.0	2975	142.0/135.8	3570	90	F	S1	IP55	QD19PPP20175	CNEx18.1421
YB3-315S-2-H	196.9/113.4	2980	169.7/162.3	3576	110	F	S1	IP55	QD19PPP20175	CNEx18.1422
YB3-315M-2-H	235.6/135.6	2980	203.0/194.2	3576	132	F	S1	IP55	QD19PPP20175	CNEx18.1422
YB3-315L1-2-H	281.8/162.2	2980	242.6/232.1	3576	160	F	S1	IP55	QD19PPP20175	CNEx18.1422
YB3-315L2-2-H	351.5/202.4	2980	302.3/289.2	3576	200	F	S1	IP55	QD19PPP20175	CNEx18.1422
YB3-355S1-2-H	325.5/187.4	2980	279.6/267.5	3576	185	F	S1	IP55	QD19PPP20175	CNEx18.1423
YB3-355S2-2-H	351.5/202.4	2980	302.3/289.2	3576	200	F	S1	IP55	QD19PPP20175	CNEx18.1423
YB3-355M1-2-H	386.7/222.6	2980	332.5/318.1	3576	220	F	S1	IP55	QD19PPP20175	CNEx18.1423
YB3-355M2-2-H	439.4/253.0	2980	377.9/361.4	3576	250	F	S1	IP55	QD19PPP20175	CNEx18.1423
YB3-355L1-2-H	492.1/283.3	2980	423.2/404.8	3576	280	F	S1	IP55	QD19PPP20175	CNEx18.1423
YB3-355L2-2-H	553.6/318.8	2980	476.1/455.4	3576	315	F	S1	IP55	QD19PPP20175	CNEx18.1423

产品型号 Type	额定电压 Rated Voltage (380V/660V)		额定电压 Rated Voltage (440V/460V)		额定功率 Rated power (kW)	绝缘等级 Insulation class	工作定额 Rating	外壳防护等级 Degree of protection	图纸批准号 Drawings Approval No.	防爆合格证编号 Ex-Certification No.
	额定频率 Rated frequency (50Hz)		额定频率 Rated frequency (60Hz)							
	额定电流 Rated Current (A)	额定转速 Rated speed (r/min)	额定电流 Rated Current (A)	额定转速 Rated speed (r/min)						
YB3-801-4-H	1.4/0.8	1400	1.2/1.2	1680	0.55	F	S1	IP55	QD19PPP20175	CNEx18.1411
YB3-802-4-H	1.9/1.1	1400	1.6/1.5	1680	0.75	F	S1	IP55	QD19PPP20175	CNEx18.1411
YB3-90S-4-H	2.7/1.6	1425	2.3/2.2	1710	1.1	F	S1	IP55	QD19PPP20175	CNEx18.1412
YB3-90L-4-H	3.7/2.1	1425	3.2/3.0	1710	1.5	F	S1	IP55	QD19PPP20175	CNEx18.1412
YB3-100L1-4-H	4.9/2.8	1440	4.1/3.9	1728	2.2	F	S1	IP55	QD19PPP20175	CNEx18.1413
YB3-100L2-4-H	6.5/3.7	1440	5.6/5.3	1728	3	F	S1	IP55	QD19PPP20175	CNEx18.1413
YB3-112M-4-H	8.6/4.9	1450	7.4/7.1	1740	4	F	S1	IP55	QD19PPP20175	CNEx18.1414
YB3-132S-4-H	11.6/6.7	1455	10.0/9.5	1746	5.5	F	S1	IP55	QD19PPP20175	CNEx18.1415
YB3-132M-4-H	15.5/8.9	1455	13.4/12.8	1746	7.5	F	S1	IP55	QD19PPP20175	CNEx18.1415
YB3-160M-4-H	21.9/12.6	1465	18.9/18.1	1758	11	F	S1	IP55	QD19PPP20175	CNEx18.1416
YB3-160L-4-H	29.3/16.8	1465	25.4/24.3	1758	15	F	S1	IP55	QD19PPP20175	CNEx18.1416
YB3-180M-4-H	35.8/20.6	1470	30.9/29.6	1764	18.5	F	S1	IP55	QD19PPP20175	CNEx18.1417
YB3-180L-4-H	42.4/24.4	1475	36.8/35.2	1770	22	F	S1	IP55	QD19PPP20175	CNEx18.1417
YB3-200L-4-H	57.4/33.1	1475	49.8/47.6	1770	30	F	S1	IP55	QD19PPP20175	CNEx18.1418
YB3-225S-4-H	70.5/40.6	1480	61.4/58.7	1776	37	F	S1	IP55	QD19PPP20175	CNEx18.1419
YB3-225M-4-H	85.4/49.2	1480	74.2/71.0	1776	45	F	S1	IP55	QD19PPP20175	CNEx18.1419
YB3-250M-4-H	103.9/59.8	1480	90.2/86.3	1776	55	F	S1	IP55	QD19PPP20175	CNEx18.1420
YB3-280S-4-H	137.8/79.3	1485	119.7/114.5	1782	75	F	S1	IP55	QD19PPP20175	CNEx18.1421
YB3-280M-4-H	165.0/95.0	1485	143.6/137.4	1782	90	F	S1	IP55	QD19PPP20175	CNEx18.1421
YB3-315S-4-H	201.0/115.7	1485	174.6/167.0	1782	110	F	S1	IP55	QD19PPP20175	CNEx18.1422
YB3-315M-4-H	240.7/138.6	1485	209.6/200.5	1782	132	F	S1	IP55	QD19PPP20175	CNEx18.1422
YB3-315L1-4-H	287.8/165.7	1485	250.9/240.0	1782	160	F	S1	IP55	QD19PPP20175	CNEx18.1422
YB3-315L2-4-H	359.0/206.7	1485	312.6/299.0	1782	200	F	S1	IP55	QD19PPP20175	CNEx18.1422
YB3-355S1-4-H	332.5/191.4	1485	289.2/276.6	1782	185	F	S1	IP55	QD19PPP20175	CNEx18.1423
YB3-355S2-4-H	359.0/206.7	1485	312.6/299.0	1782	200	F	S1	IP55	QD19PPP20175	CNEx18.1423
YB3-355M1-4-H	390.5/224.9	1490	340.0/325.2	1788	220	F	S1	IP55	QD19PPP20175	CNEx18.1423
YB3-355M2-4-H	443.8/255.5	1490	386.4/369.6	1788	250	F	S1	IP55	QD19PPP20175	CNEx18.1423
YB3-355L1-4-H	497.1/286.2	1490	432.7/413.9	1788	280	F	S1	IP55	QD19PPP20175	CNEx18.1423
YB3-355L2-4-H	559.2/322.0	1490	486.8/465.7	1788	315	F	S1	IP55	QD19PPP20175	CNEx18.1423

技术数据 Technical Data

技术数据 Technical Data

YB3-H 系列船用三相异步电动机
YB3-H series marine three-phase asynchronous motor
防爆标志 Explosion-proof Mark: Ex d IIB T4 Gb

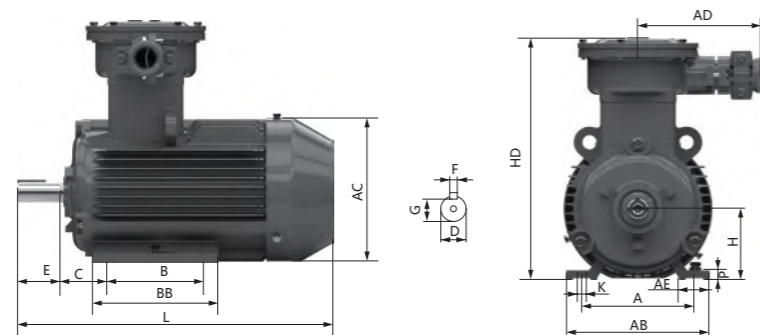
YB3-H 系列船用三相异步电动机
YB3-H series marine three-phase asynchronous motor
防爆标志 Explosion-proof Mark: Ex d IIB T4 Gb

产品型号 Type	额定电压 Rated Voltage (380V/660V)		额定电压 Rated Voltage (440V/460V)		额定功率 Rated power (kW)	绝缘等级 Insulation class	工作定额 Rating	外壳防护等级 Degree of protection	图纸批准号 Drawings Approval No.	防爆合格证编号 Ex-Certification No.
	额定频率 Rated frequency (50Hz)		额定频率 Rated frequency (60Hz)							
	额定电流 Rated Current (A)	额定转速 Rated speed (r/min)	额定电流 Rated Current (A)	额定转速 Rated speed (r/min)						
YB3-801-6-H	1.2/0.7	890	1.1/1.0	1068	0.37	F	S1	IP55	QD19PPP20175	CNEx18.1411
YB3-802-6-H	1.6/0.9	890	1.4/1.3	1068	0.55	F	S1	IP55	QD19PPP20175	CNEx18.1411
YB3-90S-6-H	2.1/1.2	935	1.8/1.7	1122	0.75	F	S1	IP55	QD19PPP20175	CNEx18.1412
YB3-90L-6-H	2.9/1.7	940	2.3/2.2	1128	1.1	F	S1	IP55	QD19PPP20175	CNEx18.1412
YB3-100L-6-H	3.9/2.2	945	3.1/3.0	1134	1.5	F	S1	IP55	QD19PPP20175	CNEx18.1413
YB3-112M-6-H	5.5/3.2	950	4.5/4.3	1140	2.2	F	S1	IP55	QD19PPP20175	CNEx18.1414
YB3-132S-6-H	7.4/4.3	960	6.2/5.9	1152	3	F	S1	IP55	QD19PPP20175	CNEx18.1415
YB3-132M1-6-H	9.7/5.6	960	8.2/7.8	1152	4	F	S1	IP55	QD19PPP20175	CNEx18.1415
YB3-132M2-6-H	13.0/7.5	960	11.0/10.6	1152	5.5	F	S1	IP55	QD19PPP20175	CNEx18.1415
YB3-160M-6-H	16.8/9.6	970	14.3/13.7	1164	7.5	F	S1	IP55	QD19PPP20175	CNEx18.1416
YB3-160L-6-H	23.9/13.7	970	20.5/19.6	1164	11	F	S1	IP55	QD19PPP20175	CNEx18.1416
YB3-180L-6-H	31.4/18.1	975	27.3/26.1	1170	15	F	S1	IP55	QD19PPP20175	CNEx18.1417
YB3-200L1-6-H	38.4/22.1	975	33.1/31.7	1170	18.5	F	S1	IP55	QD19PPP20175	CNEx18.1418
YB3-200L2-6-H	44.8/25.8	975	38.9/37.2	1170	22	F	S1	IP55	QD19PPP20175	CNEx18.1418
YB3-225M-6-H	61.4/35.3	985	52.9/50.6	1182	30	F	S1	IP55	QD19PPP20175	CNEx18.1419
YB3-250M-6-H	72.6/41.8	985	62.9/60.2	1182	37	F	S1	IP55	QD19PPP20175	CNEx18.1420
YB3-280S-6-H	85.8/49.4	985	74.2/71.0	1182	45	F	S1	IP55	QD19PPP20175	CNEx18.1421
YB3-280M-6-H	104.4/60.1	985	90.7/86.8	1182	55	F	S1	IP55	QD19PPP20175	CNEx18.1421
YB3-315S-6-H	143.1/82.4	990	124.5/119.1	1188	75	F	S1	IP55	QD19PPP20175	CNEx18.1422
YB3-315M-6-H	173.2/99.7	990	151.2/144.6	1188	90	F	S1	IP55	QD19PPP20175	CNEx18.1422
YB3-315L1-6-H	208.5/120.1	990	180.9/173.0	1188	110	F	S1	IP55	QD19PPP20175	CNEx18.1422
YB3-315L2-6-H	246.3/141.8	990	214.5/205.2	1188	132	F	S1	IP55	QD19PPP20175	CNEx18.1422
YB3-355S-6-H	294.8/169.7	990	257.0/245.8	1188	160	F	S1	IP55	QD19PPP20175	CNEx18.1423
YB3-355M1-6-H	340.5/196.0	990	297.1/284.2	1188	185	F	S1	IP55	QD19PPP20175	CNEx18.1423
YB3-355M2-6-H	367.7/211.7	990	321.2/307.3	1188	200	F	S1	IP55	QD19PPP20175	CNEx18.1423
YB3-355L1-6-H	404.4/232.9	990	353.3/338.0	1188	220	F	S1	IP55	QD19PPP20175	CNEx18.1423
YB3-355L2-6-H	459.6/264.6	990	401.5/384.1	1188	250	F	S1	IP55	QD19PPP20175	CNEx18.1423

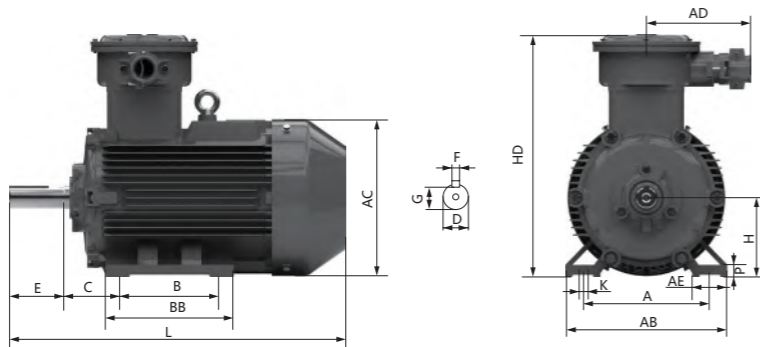
产品型号 Type	额定电压 Rated Voltage (380V/660V)		额定电压 Rated Voltage (440V/460V)		额定功率 Rated power (kW)	绝缘等级 Insulation class	工作定额 Rating	外壳防护等级 Degree of protection	图纸批准号 Drawings Approval No.	防爆合格证编号 Ex-Certification No.
	额定频率 Rated frequency (50Hz)		额定频率 Rated frequency (60Hz)							
	额定电流 Rated Current (A)	额定转速 Rated speed (r/min)	额定电流 Rated Current (A)	额定转速 Rated speed (r/min)						
YB3-801-8-H	0.9/0.5	650	0.8/0.7	780	0.18	F	S1	IP55	QD19PPP20175	CNEx18.1411
YB3-802-8-H	1.2/0.7	650	1.1/1.0	780	0.25	F	S1	IP55	QD19PPP20175	CNEx18.1411
YB3-90S-8-H	1.7/1.0	670	1.5/1.4	804	0.37	F	S1	IP55	QD19PPP20175	CNEx18.1412
YB3-90L-8-H	2.1/1.2	670	1.8/1.7	804	0.55	F	S1	IP55	QD19PPP20175	CNEx18.1412
YB3-100L1-8-H	2.4/1.4	690	2.1/2.0	828	0.75	F	S1	IP55	QD19PPP20175	CNEx18.1413
YB3-100L2-8-H	3.4/2.0	690	3.0/2.9	828	1.1	F	S1	IP55	QD19PPP20175	CNEx18.1413
YB3-112M-8-H	4.5/2.6	690	3.5/3.4	828	1.5	F	S1	IP55	QD19PPP20175	CNEx18.1414
YB3-132S-8-H	5.9/3.4	710	5.2/4.9	852	2.2	F	S1	IP55	QD19PPP20175	CNEx18.1415
YB3-132M-8-H	7.9/4.6	710	6.9/6.6	852	3	F	S1	IP55	QD19PPP20175	CNEx18.1415
YB3-160M1-8-H	10.4/6.0	720	9.1/8.7	864	4	F	S1	IP55	QD19PPP20175	CNEx18.1416
YB3-160M2-8-H	13.6/7.8	720	11.9/11.4	864	5.5	F	S1	IP55	QD19PPP20175	CNEx18.1416
YB3-160L-8-H	17.8/10.3	720	15.4/14.8	864	7.5	F	S1	IP55	QD19PPP20175	CNEx18.1416
YB3-180L-8-H	25.5/14.7	730	22.3/21.3	876	11	F	S1	IP55	QD19PPP20175	CNEx18.1417
YB3-200L-8-H	34.5/19.9	730	30.2/28.9	876	15	F	S1	IP55	QD19PPP20175	CNEx18.1418
YB3-225S-8-H	40.4/23.3	730	35.4/33.8	876	18.5	F	S1	IP55	QD19PPP20175	CNEx18.1419
YB3-225M-8-H	47.8/27.5	740	41.8/40.0	888	22	F	S1	IP55	QD19PPP20175	CNEx18.1419
YB3-250M-8-H	63.8/36.7	740	55.8/53.4	888	30	F	S1	IP55	QD19PPP20175	CNEx18.1420
YB3-280S-8-H	78.3/45.1	740	68.5/65.5	888	37	F	S1	IP55	QD19PPP20175	CNEx18.1421
YB3-280M-8-H	94.7/54.5	740	82.8/79.2	888	45	F	S1	IP55	QD19PPP20175	CNEx18.1421
YB3-315S-8-H	113.2/65.2	740	99.0/94.7	888	55	F	S1	IP55	QD19PPP20175	CNEx18.1422
YB3-315M-8-H	152.8/88.0	740	133.7/127.9	888	75	F	S1	IP55	QD19PPP20175	CNEx18.1422
YB3-315L1-8-H	182.8/105.3	740	159.9/152.9	888	90	F	S1	IP55	QD19PPP20175	CNEx18.1422
YB3-315L2-8-H	218.0/125.5	740	190.6/182.3	888	110	F	S1	IP55	QD19PPP20175	CNEx18.1422
YB3-355S-8-H	261.6/150.6	740	228.7/218.8	888	132	F	S1	IP55	QD19PPP20175	CNEx18.1423
YB3-355M-8-H	315.4/181.6	740	275.7/263.8	888	160	F	S1	IP55	QD19PPP20175	CNEx18.1423
YB3-355L1-8-H	364.7/210.0	740	318.8/305.0	888	185	F	S1	IP55	QD19PPP20175	CNEx18.1423
YB3-355L2-8-H	388.7/223.8	740	339.8/325.0	888	200	F	S1	IP55	QD19PPP20175	CNEx18.1423
YB3-315S-10-H	100.0/57.6	590	87.5/83.7	708	45	F	S1	IP55	QD19PPP20175	CNEx18.1422
YB3-315M-10-H	121.4/69.9	590	106.2/101.6	708	55	F	S1	IP55	QD19PPP20175	CNEx18.1422
YB3-315L1-10-H	162.4/93.5	590	142.2/136.0	708	75	F	S1	IP55	QD19PPP20175	CNEx18.1422
YB3-315L2-10-H	191.4/110.2	590	167.4/160.2	708	90	F	S1	IP55	QD19PPP20175	CNEx18.1422
YB3-355S-10-H	191.4/110.2	590	167.4/160.2	708	90	F	S1	IP55	QD19PPP20175	CNEx18.1423
YB3-355M1-10-H	230.4/132.7	590	201.6/192.8	708	110	F	S1	IP55	QD19PPP20175	CNEx18.1423
YB3-355M2-10-H	275.6/158.7	590	241.1/230.6	708	132	F	S1	IP55	QD19PPP20175	CNEx18.1423
YB3-355L1-10-H	334.1/192.3	590	292.2/279.5	708	160	F	S1	IP55	QD19PPP20175	CNEx18.1423
YB3-355L2-10-H	386.2/222.4	590	337.9/323.2	708	185	F	S1	IP55	QD19PPP20175	CNEx18.1423

◆ B3 外形及安装尺寸 Dimensions Foot Mount B3

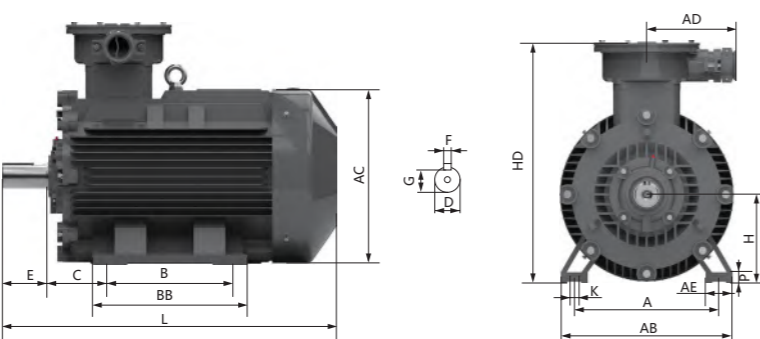
YB3-H-80~132



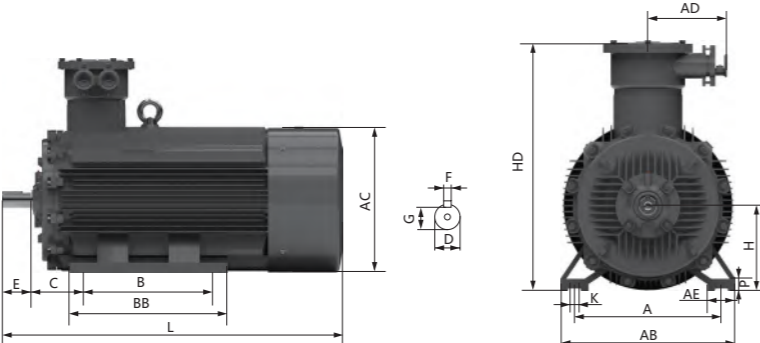
YB3-H-160~200



YB3-H-225~280



YB3-H-315~355



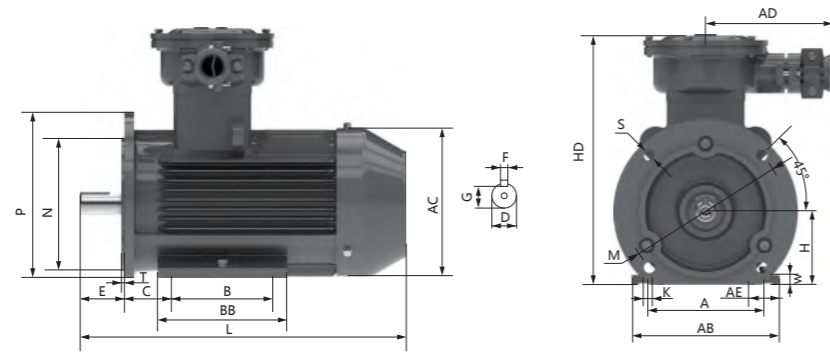
◆ B3 外形及安装尺寸 Dimensions Foot Mount B3

机座号 FRAME SIZE	极数 POLES	A	B	C	D	E	F	G	H	P	K	AB	BB	AC	AE	AD	HD	L
80M	2-8	125	100	50	19	40	6	15.5	80	10	10	160	130	167	34	178	310	340
90S	2-8	140	100	56	24	50	8	20	90	14	10	176	130	184	36	178	335	390
90L	2-8	140	125	56	24	50	8	20	90	14	10	176	155	184	36	178	335	420
100L	2-8	160	140	63	28	60	8	24	100	14	12	200	176	207	43	178	360	470
112M	2-8	190	140	70	28	60	8	24	112	16	12	240	180	221	50	193	375	520
132S	2-8	216	140	89	38	80	10	33	132	18	12	276	190	260	60	193	420	530
132M	2-8	216	178	89	38	80	10	33	132	18	12	276	230	260	60	193	420	570
160M	2-8	254	210	108	42	110	12	37	160	25	14.5	324	258	315	70	210	500	700
160L	2-8	254	254	108	42	110	12	37	160	25	14.5	324	302	315	70	210	500	730
180M	2-8	279	241	121	48	110	14	42.5	180	22	15	349	311	356	70	210	535	790
180L	2-8	279	279	121	48	110	14	42.5	180	22	15	349	349	356	70	210	535	810
200L	2-8	318	305	133	55	110	16	49	200	25	18.5	388	366	398	70	240	612	850
225S	4、8	356	286	149	60	140	18	53	225	28	18.5	431	355	446	75	240	665	900
225M	2	356	311	149	55	110	16	49	225	28	18.5	431	380	446	75	240	665	900
225M	4-8	356	311	149	60	140	18	53	225	28	18.5	431	380	446	75	240	665	930
250M	2	406	349	168	60	140	18	53	250	30	24	486	420	495	80	279	730	990
250M	4-8	406	349	168	65	140	18	58	250	30	24	486	420	495	80	279	730	990
280S	2	457	368	190	65	140	18	58	280	35	24	542	438	547	85	279	790	1020
280S	4-8	457	368	190	75	140	20	67.5	280	35	24	542	438	547	85	279	790	1030
280M	2	457	419	190	65	140	18	58	280	35	24	542	489	547	85	279	790	1070
280M	4-8	457	419	190	75	140	20	67.5	280	35	24	542	489	547	85	279	790	1080
315S	2	508	406	216	65	140	18	58	315	45	28	628	550	620	120	330	980	1210
315S	4-10	508	406	216	80	170	22	71	315	45	28	628	550	620	120	330	980	1290
315M	2	508	457	216	65	140	18	58	315	45	28	628	680	620	120	330	980	1330
315M	4-10	508	457	216	80	170	22	71	315	45	28	628	680	620	120	330	980	1410
315L	2	508	508	216	65	140	18	58	315	45	28	628	680	620	120	330	980	1330
315L	4-10	508	508	216	80	170	22	71	315	45	28	628	680	620	120	330	980	1410
355S	2	610	500	254	75	140	20	67.5	355	52	28	726	636	700	116	330	1120	1490
355S	4-10	610	500	254	95	170	25	86	355	52	28	726	636	700	116	330	1120	1520
355M	2	610	560	254	75	140	20	67.5	355	52	28	726	696	700	116	330	1120	1570
355M	4-10	610	560	254	95	170	25	86	355	52	28	726	696	700	116	330	1120	1600
355L	2	610	630	254	75	140	20	67.5	355	52	28	726	766	700	116	330	1120	1680
355L	4-10	610	630	254	95	170	25	86	355	52	28	726	766	700	116	330	1120	1710

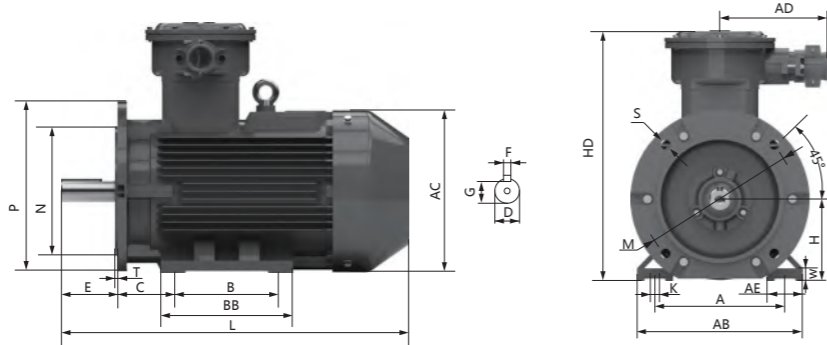
(此外形图用于 YB3 防爆等级为 Exd I Mb、Exd II BT4Gb, YBX3 防爆等级为 Exd II BT4Gb, YBK3 防爆等级为 Exd I Mb)

◆ B35 外形及安装尺寸 Dimensions Foot-Flange Mount B35

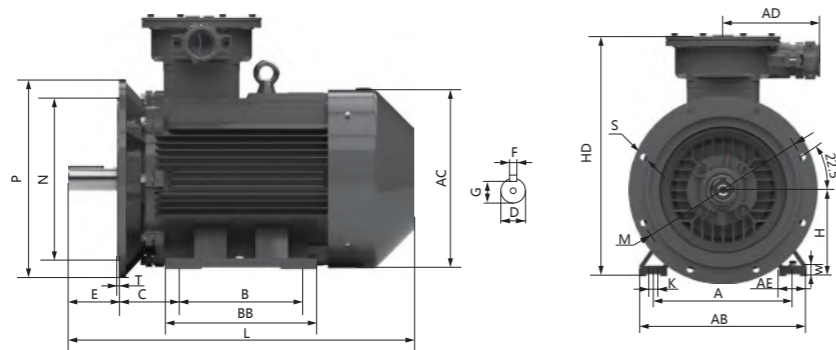
YB3-H-80~132



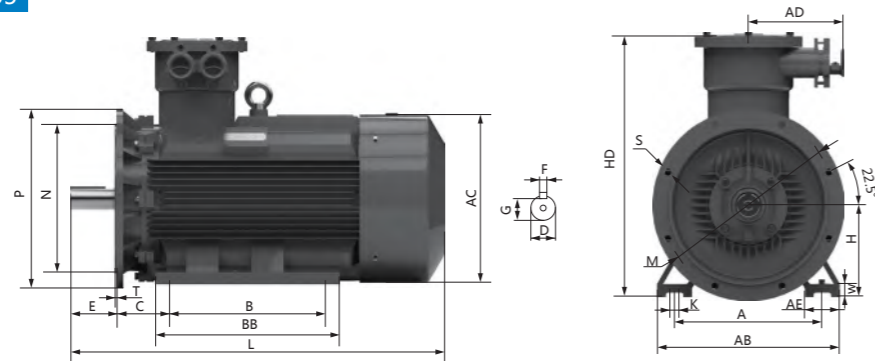
YB3-H-160~200



YB3-H-225~280



YB3-H-315~355



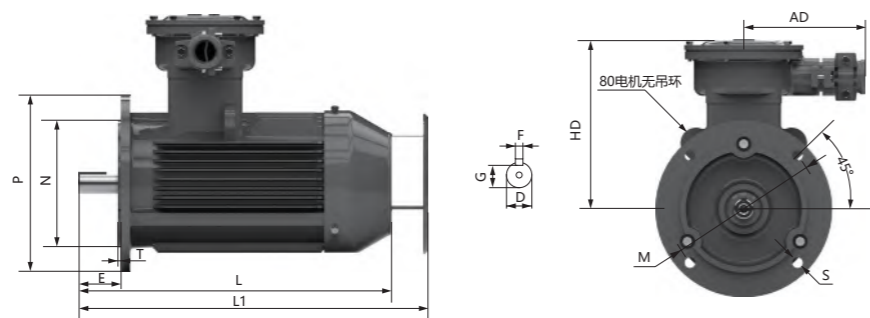
◆ B35 外形及安装尺寸 Dimensions Foot-Flange Mount B35

机座号 FRAME SIZE	极数 POLES	A	B	C	D	E	F	G	H	K	M	N	S	T	P	W	AB	BB	AC	AD	AE	HD	L
80M	2-8	125	100	50	19	40	6	15.5	80	10	165	130	12	3.5	200	10	160	130	167	178	34	310	340
90S	2-8	140	100	56	24	50	8	20	90	10	165	130	12	3.5	200	14	176	130	184	178	36	335	390
90L	2-8	140	125	56	24	50	8	20	90	10	165	130	12	3.5	200	14	176	155	184	178	36	335	420
100L	2-8	160	140	63	28	60	8	24	100	12	215	180	15	4	250	14	200	176	207	178	43	360	470
112M	2-8	190	140	70	28	60	8	24	112	12	215	180	15	4	250	16	240	180	221	193	50	375	520
132S	2-8	216	140	89	38	80	10	33	132	12	265	230	15	4	300	18	276	190	260	193	60	420	530
132M	2-8	216	178	89	38	80	10	33	132	12	265	230	15	4	300	18	276	230	260	193	60	420	570
160M	2-8	254	210	108	42	110	12	37	160	14.5	300	250	19	5	350	25	324	258	315	210	70	500	700
160L	2-8	254	254	108	42	110	12	37	160	14.5	300	250	19	5	350	25	324	302	315	210	70	500	730
180M	2-8	279	241	121	48	110	14	42.5	180	15	300	250	19	5	350	22	349	311	356	210	70	535	790
180L	2-8	279	279	121	48	110	14	42.5	180	15	300	250	19	5	350	22	349	349	356	210	70	535	810
200L	2-8	318	305	133	55	110	16	49	200	19	350	300	19	5	400	25	388	366	398	240	70	612	850
225S	4, 8	356	286	149	60	140	18	53	225	18.5	400	350	19	5	450	28	431	355	446	240	75	665	900
225M	2	356	311	149	55	110	16	49	225	18.5	400	350	19	5	450	28	431	380	446	240	75	665	900
225M	4-8	356	311	149	60	140	18	53	225	18.5	400	350	19	5	450	28	431	380	446	240	75	665	930
250M	2	406	349	168	60	140	18	53	250	24	500	450	19	5	550	30	486	420	495	279	80	730	990
250M	4-8	406	349	168	65	140	18	58	250	24	500	450	19	5	550	30	486	420	495	279	80	730	990
280S	2	457	368	190	65	140	18	58	280	24	500	450	19	5	550	35	542	438	547	279	85	790	1020
280S	4-8	457	368	190	75	140	20	67.5	280	24	500	450	19	5	550	35	542	438	547	279	85	790	1030
280M	2	457	419	190	65	140	18	58	280	24	500	450	19	5	550	35	542	489	547	279	85	790	1070
280M	4-8	457	419	190	75	140	20	67.5	280	24	500	450	19	5	550	35	542	489	547	279	85	790	1080
315S	2	508	406	216	65	140	18	58	315	28	600	550	24	6	660	45	628	550	620	330	120	980	1210
315S	4-10	508	406	216	80	170	22	71	315	28	600	550	24	6	660	45	628	550	620	330	120	980	1290
315M	2	508	457	216	65	140	18	58	315	28	600	550	24	6	660	45	628	680	620	330	120	980	1330
315M	4-10	508	457	216	80	170	22	71	315	28	600	550	24	6	660	45	628	680	620	330	120	980	1410
315L	2	508	508	216	65	140	18	58	315	28	600	550	24	6	660	45	628	680	620	330	120	980	1330
315L	4-10	508	508	216	80	170	22	71	315	28	600	550	24	6	660	45	628	680	620	330	120	980	1410
355S	2	610	500	254	75	140	20	67.5	355	28	740	680	24	6	800	52	726	636	700	330	116	1120	1490
355S	4-10	610	500	254	95	170	25	86	355	28	740	680	24	6	800	52	726	636	700	330	116	1120	1520
355M	2	610	560	254	75	140	20	67.5	355	28	740	680	24	6	800	52	726	696	700	330	116	1120	1570
355M	4-10	610	560	254	95	170	25	86	355	28	740	680	24	6	800	52	726	696	700	330	116	1120	1600
355L	2	610	630	254	75	140	20	67.5	355	28	740	680	24	6	800	52	726	766	700	330	116	1120	1680
355L	4-10	610	630	254	95	170	25	86	355	28	740	680	24	6	800	52	726	766	700	330	116	1120	1710

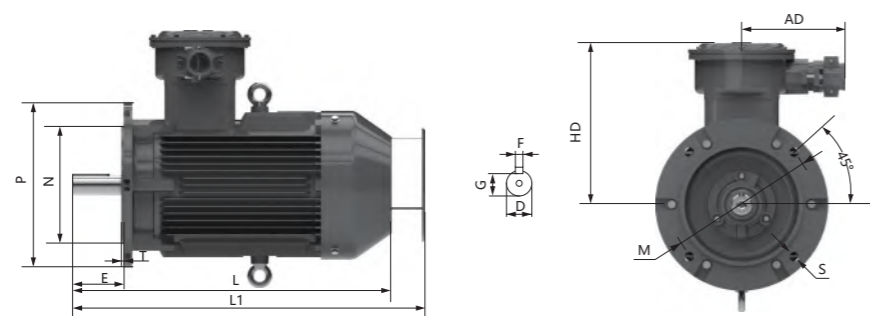
(此外形图用于 YB3 防爆等级为 Exd I Mb、Exd II BT4Gb, YBK3 防爆等级为 Exd II BT4Gb, YBK3 防爆等级为 Exd I Mb)

◆ B5&V1 外形及安装尺寸 Dimensions Flange Mount B5&V1

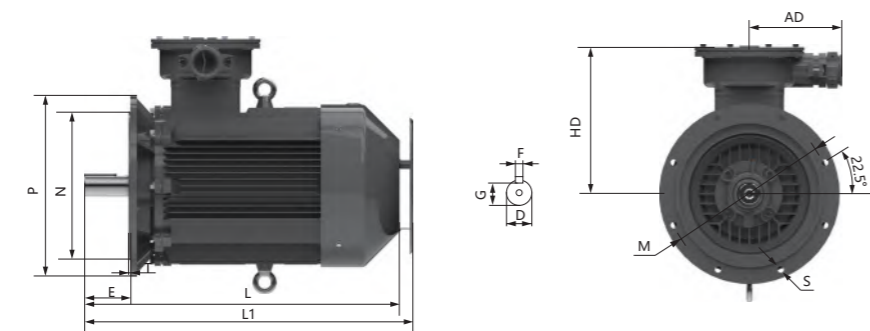
YB3-H-80~132



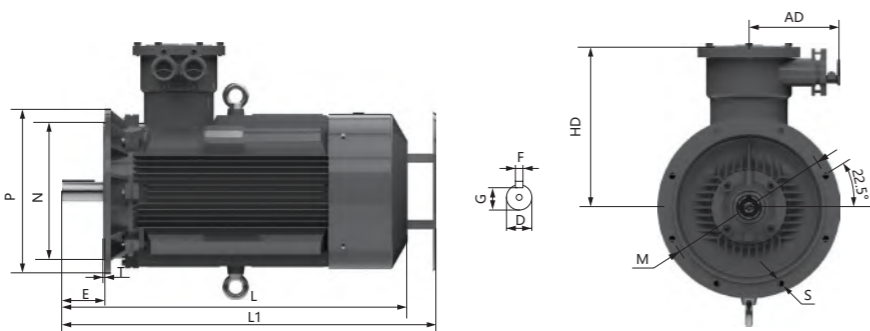
YB3-H-160~200



YB3-H-225~280



YB3-H-315~355



◆ B5&V1 外形及安装尺寸 Dimensions Flange Mount B5&V1

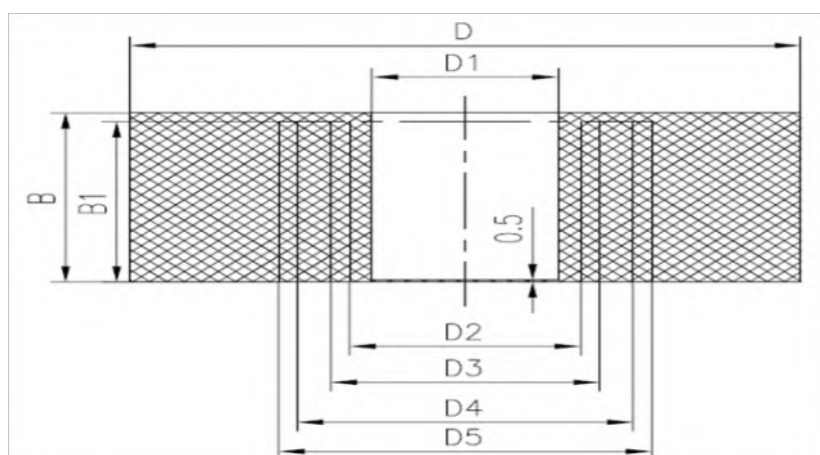
机座号 FRAME SIZE	极数 POLES	D	E	F	G	M	N	S	T	P	AD	HD	L(B5)	L1(V1)
80M	2-8	19	40	6	15.5	165	130	12	3.5	200	178	230	340	440
90S	2-8	24	50	8	20	165	130	12	3.5	200	178	245	390	490
90L	2-8	24	50	8	20	165	130	12	3.5	200	178	245	420	520
100L	2-8	28	60	8	24	215	180	15	4	250	178	260	470	570
112M	2-8	28	60	8	24	215	180	15	4	250	193	245	520	620
132S	2-8	38	80	10	33	265	230	15	4	300	193	288	530	630
132M	2-8	38	80	10	33	265	230	15	4	300	193	288	570	670
160M	2-8	42	110	12	37	300	250	19	5	350	210	340	700	800
160L	2-8	42	110	12	37	300	250	19	5	350	210	340	730	830
180M	2-8	48	110	14	42.5	300	250	19	5	350	210	355	790	890
180L	2-8	48	110	14	42.5	300	250	19	5	350	210	355	810	910
200L	2-8	55	110	16	49	350	300	19	5	400	240	412	850	950
225S	4、8	60	140	18	53	400	350	19	5	450	240	440	900	1000
225M	2	55	110	16	49	400	350	19	5	450	240	440	900	1000
225M	4-8	60	140	18	53	400	350	19	5	450	240	440	930	1030
250M	2	60	140	18	53	500	450	19	5	550	279	480	990	1090
250M	4-8	65	140	18	58	500	450	19	5	550	279	480	990	1090
280S	2	65	140	18	58	500	450	19	5	550	279	510	1020	1120
280S	4-8	75	140	20	67.5	500	450	19	5	550	279	510	1030	1130
280M	2	65	140	18	58	500	450	19	5	550	279	510	1070	1170
280M	4-8	75	140	20	67.5	500	450	19	5	550	279	510	1080	1180
315S	2	65	140	18	58	600	550	24	6	660	330	665	-	1310
315S	4-10	80	170	22	71	600	550	24	6	660	330	665	-	1390
315M	2	65	140	18	58	600	550	24	6	660	330	665	-	1430
315M	4-10	80	170	22	71	600	550	24	6	660	330	665	-	1510
315L	2	65	140	18	58	600	550	24	6	660	330	665	-	1430
315L	4-10	80	170	22	71	600	550	24	6	660	330	665	-	1510
355S	2	75	140	20	67.5	740	680	24	6	800	330	765	-	1590
355S	4-10	95	170	25	86	740	680	24	6	800	330	765	-	1620
355M	2	75	140	20	67.5	740	680	24	6	800	330	765	-	1670
355M	4-10	95	170	25	86	740	680	24	6	800	330	765	-	1700
355L	2	75	140	20	67.5	740	680	24	6	800	330	765	-	1780
355L	4-10	95	170	25	86	740	680	24	6	800	330	765	-	1810

(此外形图用于 YB3 防爆等级为 Exd I Mb、Exd II BT4Gb, YBK3 防爆等级为 Exd II BT4Gb, YBK3 防爆等级为 Exd I Mb)

钢管布线的尺寸 (适用于隔爆型电动机 YB3、YBX3、YBBP)

机座号	钢管布线尺寸
80-132	M30X2
160-180	M36X2
200-225	M48X2
250-280	M64X2
315-355	2XM64X2

密封圈尺寸 (适用于隔爆型电动机 YB3、YBX3、YBBP、YBK3)



机座号	尺寸							
	D1	D2	D3	D4	D5	D	B1	B
80-132	φ14	φ20	φ25			φ42	24	26
160-180	φ14	φ20	φ26	φ31	φ35	φ58	24	26
200-225	φ20	φ26	φ32	φ38	φ42	φ72	30	32
250-355	φ25	φ31	φ36	φ45	φ50	φ90	36	38

说明：机座号为 315、355 电机有两个出线口

YB3 轴承型号

机座号	极数	轴伸端	非轴伸端
80	全部	6204-2Z	6204-2Z
90	全部	6205-2Z	6205-2Z
100	全部	6206-2Z	6206-2Z
112	全部	6206-2Z	6206-2Z
132	全部	6208-2Z	6208-2Z
160	2P	6209-2Z	6209-2Z
160	4 ~ 8P	6309-2Z	6209-2Z
180	2P	6211	6211
180	4 ~ 8P	6311	6211
200	2P	6212	6212
200	4 ~ 8P	6312	6212
225	2P	6312	6312
225	4 ~ 8P	6313	6312
250	2P	6313	6313
250	4 ~ 8P	6314	6313
280	2P	6314	6314
280	4 ~ 8P	6317	6314
315	2P	6316	6316
315	4 ~ 10P	6319	6319
355	2P	6319	6319
355	4 ~ 10P	6322	6322

CY-H 系列船用三相异步电动机

CY-H series Marine three-phase asynchronous motor



产品概述 Product Introduction

CY-H 系列适用于船舶及其它海上设施，作为驱动泵类、通风机械、分离器、液压机械及其他辅助设备用的三相异步电动机，并通过中国船级社 CCS 认证。

CY-H series are suitable for ships and other offshore facilities, as the three-phase asynchronous motor used to drive pumps, ventilation machinery, separators, hydraulic machinery and other auxiliary equipment. Through the China Classification Society CCS certification.

详细说明 Specification

◆现场条件

CY-H 系列电动机环境温度最低为 -15℃，环境温度最高为 45℃。环境空气最大相对湿度为 95%。

◆温升和绝缘

电动机按 F 级绝缘设计 (155℃)，按 B 级绝缘考核 (80K)，电动机的使用寿命和可靠性得到保证。

◆冷却和通风

标准冷却方式 IC611，顶部带有空 - 空冷却器。

◆防护等级

电动机的防护等级为 IP55、IP56，可用于含尘或潮湿环境。

◆电压、频率

标准电机为 380V/50HZ。也可根据需要设计其它电压规格的电动机。在供电电压偏离额定电压 ±5% 的情况下，仍能良好运行。

◆接线盒位置

接线盒在机座右侧。

◆质量保证

从产品设计到产品出厂，遵循 ISO9001 质量认证体系，严格遵守质量程序。

◆ Site conditions

The lowest ambient temperature of CY-H series motors is -15 °C , and the highest ambient temperature is 45°C. The maximum relative humidity of ambient air is 95%.

◆ Temperature rise and insulation

The motor is designed according to F class insulation (155 °C), and examined according to B class insulation (80K). The service life and reliability of the motor are guaranteed.

◆ Cooling and ventilation

Standard cooling method IC611, with air - to - air cooler on top.

◆ Protection class

The motor's protection grade is IP55, IP56, which can be used in dusty or humid environment.

◆ Voltage 、 frequency

The standard motor is 380V/ 50Hz. Other voltage specifications can also be designed according to the needs of the motor. It still works well when the supply voltage deviates from the rated voltage by ±5%.

◆ Terminal box position

The terminal box is on the right side of the frame.

◆ Quality guarantee

From product design to product delivery, we follow the ISO9001 quality certification system and strictly follow the quality procedures.

技术数据 Technical Data

CY-H 系列船用三相异步电动机
CY-H series marine three-phase asynchronous motor

产品型号 Type	额定电压 Rated voltage(380V)		额定功率 Rated power (kW)	绝缘等级 Insulation class	工作定额 Rating	外壳防护等级 Degree of protection	图纸批准号 Drawings Approval No.
	额定频率 Rated frequency(50Hz)						
	额定电流 Rated current(A)	额定转速 Rated speed (r/min)					
CY400-2-H	555	2980	315	F	S1	IP55/IP56	QD07A00098
CY400-2-H	626	2980	355	F	S1	IP55/IP56	QD07A00098
CY400-2-H	705	2980	400	F	S1	IP55/IP56	QD07A00098
CY400-2-H	793	2980	450	F	S1	IP55/IP56	QD07A00098
CY400-2-H	881	2985	500	F	S1	IP55/IP56	QD07A00098
CY450-2-H	987	2985	560	F	S1	IP55/IP56	QD07A00098
CY450-2-H	1111	2985	630	F	S1	IP55/IP56	QD07A00098
CY450-2-H	1249	2985	710	F	S1	IP55/IP56	QD07A00098
CY450-2-H	1407	2985	800	F	S1	IP55/IP56	QD07A00098
CY400-4-H	505	1490	280	F	S1	IP55/IP56	QD07A00098
CY400-4-H	568	1490	315	F	S1	IP55/IP56	QD07A00098
CY400-4-H	640	1490	355	F	S1	IP55/IP56	QD07A00098
CY400-4-H	721	1490	400	F	S1	IP55/IP56	QD07A00098
CY400-4-H	811	1490	450	F	S1	IP55/IP56	QD07A00098
CY450-4-H	901	1490	500	F	S1	IP55/IP56	QD07A00098
CY450-4-H	1010	1490	560	F	S1	IP55/IP56	QD07A00098
CY450-4-H	1136	1490	630	F	S1	IP55/IP56	QD07A00098
CY450-4-H	1280	1490	710	F	S1	IP55/IP56	QD07A00098
CY500-4-H	1442	1490	800	F	S1	IP55/IP56	QD07A00098
CY500-4-H	1622	1490	900	F	S1	IP55/IP56	QD07A00098
CY500-4-H	1802	1490	1000	F	S1	IP55/IP56	QD07A00098
CY500-4-H	2018	1490	1120	F	S1	IP55/IP56	QD07A00098
CY560-4-H	2223	1495	1250	F	S1	IP55/IP56	QD07A00098
CY560-4-H	2490	1495	1400	F	S1	IP55/IP56	QD07A00098
CY560-4-H	2845	1495	1600	F	S1	IP55/IP56	QD07A00098
CY560-4-H	3557	1495	2000	F	S1	IP55/IP56	QD07A00098

技术数据 Technical Data

CY-H 系列船用三相异步电动机
CY-H series marine three-phase asynchronous motor

产品型号 Type	额定电压 Rated voltage(380V)		额定功率 Rated power (kW)	绝缘等级 Insulation class	工作定额 Rating	外壳防护等级 Degree of protection	图纸批准号 Drawings Approval No.
	额定频率 Rated frequency(50Hz)						
	额定电流 Rated current(A)	额定转速 Rated speed (r/min)					
CY400-6-H	409	990	220	F	S1	IP55/IP56	QD07A00098
CY400-6-H	465	990	250	F	S1	IP55/IP56	QD07A00098
CY400-6-H	521	990	280	F	S1	IP55/IP56	QD07A00098
CY400-6-H	586	990	315	F	S1	IP55/IP56	QD07A00098
CY400-6-H	660	990	355	F	S1	IP55/IP56	QD07A00098
CY450-6-H	744	990	400	F	S1	IP55/IP56	QD07A00098
CY450-6-H	837	990	450	F	S1	IP55/IP56	QD07A00098
CY450-6-H	930	990	500	F	S1	IP55/IP56	QD07A00098
CY500-6-H	1024	990	560	F	S1	IP55/IP56	QD07A00098
CY500-6-H	1152	990	630	F	S1	IP55/IP56	QD07A00098
CY500-6-H	1296	990	710	F	S1	IP55/IP56	QD07A00098
CY500-6-H	1460	990	800	F	S1	IP55/IP56	QD07A00098
CY560-6-H	1646	995	900	F	S1	IP55/IP56	QD07A00098
CY560-6-H	1829	995	1000	F	S1	IP55/IP56	QD07A00098
CY560-6-H	2048	995	1120	F	S1	IP55/IP56	QD07A00098
CY560-6-H	2286	995	1250	F	S1	IP55/IP56	QD07A00098
CY630-6-H	2560	995	1400	F	S1	IP55/IP56	QD07A00098
CY400-8-H	385	740	200	F	S1	IP55/IP56	QD07A00098
CY400-8-H	424	740	220	F	S1	IP55/IP56	QD07A00098
CY400-8-H	482	740	250	F	S1	IP55/IP56	QD07A00098
CY400-8-H	540	740	280	F	S1	IP55/IP56	QD07A00098
CY450-8-H	607	740	315	F	S1	IP55/IP56	QD07A00098
CY450-8-H	684	740	355	F	S1	IP55/IP56	QD07A00098
CY450-8-H	770	740	400	F	S1	IP55/IP56	QD07A00098
CY500-8-H	866	740	450	F	S1	IP55/IP56	QD07A00098
CY500-8-H	962	740	500	F	S1	IP55/IP56	QD07A00098
CY500-8-H	1077	740	560	F	S1	IP55/IP56	QD07A00098
CY560-8-H	1200	745	630	F	S1	IP55/IP56	QD07A00098
CY560-8-H	1352	745	710	F	S1	IP55/IP56	QD07A00098
CY560-8-H	1523	745	800	F	S1	IP55/IP56	QD07A00098
CY560-8-H	1713	745	900	F	S1	IP55/IP56	QD07A00098
CY630-8-H	1903	745	1000	F	S1	IP55/IP56	QD07A00098

CY-H

CY-H

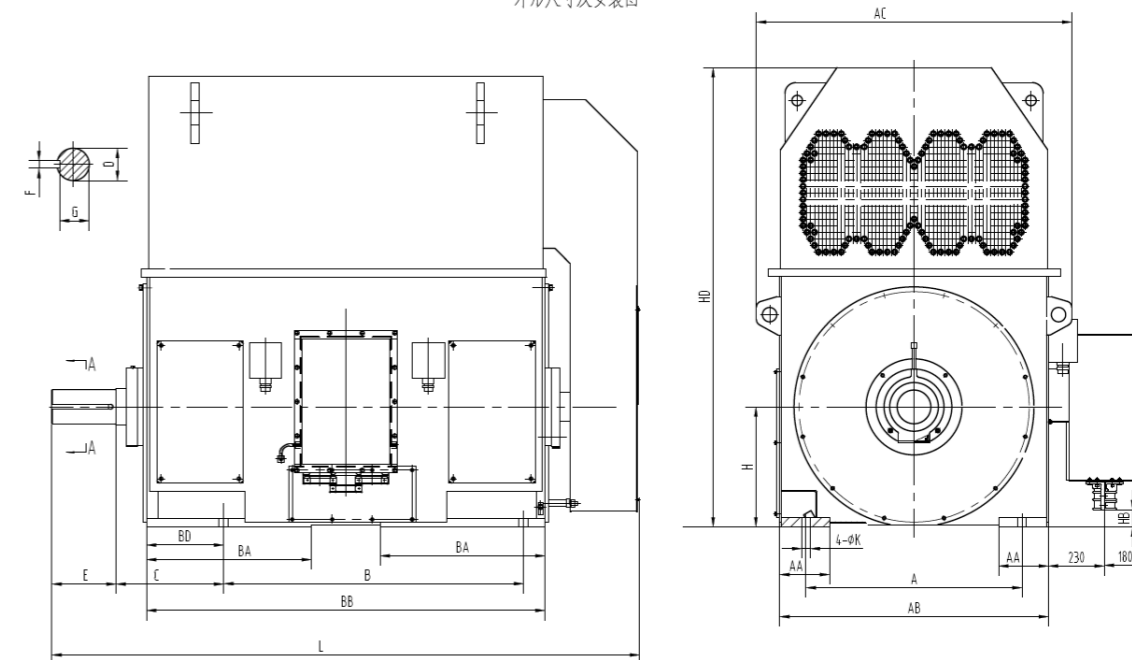
技术数据 Technical Data

CY-H 外形及安装尺寸 Dimensions Foot Mount CY-H

CY-H 系列船用三相异步电动机
CY-H series marine three-phase asynchronous motor

产品型号 Type	额定电压 Rated voltage(380V)		额定功率 Rated power (kW)	绝缘等级 Insulation class	工作定额 Rating	外壳防护等级 Degree of protection	图纸批准号 Drawings Approval No.
	额定频率 Rated frequency(50Hz)	额定电流 Rated current(A)					
CY400-10-H		338.5	160	F	S1	IP55/IP56	QD07A00098
CY400-10-H		391	185	F	S1	IP55/IP56	QD07A00098
CY450-10-H		423	200	F	S1	IP55/IP56	QD07A00098
CY450-10-H		465	220	F	S1	IP55/IP56	QD07A00098
CY450-10-H		529	250	F	S1	IP55/IP56	QD07A00098
CY450-10-H		592	280	F	S1	IP55/IP56	QD07A00098
CY500-10-H		666	315	F	S1	IP55/IP56	QD07A00098
CY500-10-H		750	355	F	S1	IP55/IP56	QD07A00098
CY500-10-H		845	400	F	S1	IP55/IP56	QD07A00098
CY500-10-H		950	450	F	S1	IP55/IP56	QD07A00098
CY560-10-H		1025	500	F	S1	IP55/IP56	QD07A00098
CY560-10-H		1148	560	F	S1	IP55/IP56	QD07A00098
CY560-10-H		1292	630	F	S1	IP55/IP56	QD07A00098
CY560-10-H		1456	710	F	S1	IP55/IP56	QD07A00098
CY630-10-H		1640	800	F	S1	IP55/IP56	QD07A00098
CY450-12-H		368	160	F	S1	IP55/IP56	QD07A00098
CY450-12-H		425	185	F	S1	IP55/IP56	QD07A00098
CY450-12-H		460	200	F	S1	IP55/IP56	QD07A00098
CY500-12-H		506	220	F	S1	IP55/IP56	QD07A00098
CY500-12-H		574	250	F	S1	IP55/IP56	QD07A00098
CY500-12-H		643	280	F	S1	IP55/IP56	QD07A00098
CY500-12-H		723	315	F	S1	IP55/IP56	QD07A00098
CY560-12-H		789	355	F	S1	IP55/IP56	QD07A00098
CY560-12-H		889	400	F	S1	IP55/IP56	QD07A00098
CY560-12-H		1000	450	F	S1	IP55/IP56	QD07A00098
CY560-12-H		1111	500	F	S1	IP55/IP56	QD07A00098
CY630-12-H		1244	560	F	S1	IP55/IP56	QD07A00098

外形尺寸及安装图



机座号 FRAME SIZE	极数 POLES	A		B		C		D		E		F		G		H		K		AA	AC	AB	BA	BB	BD	HD	HB	L
		基本尺寸	极限偏差	基本尺寸	极限偏差	基本尺寸	极限偏差	基本尺寸	极限偏差	基本尺寸	极限偏差	基本尺寸	极限偏差	基本尺寸	极限偏差	基本尺寸	极限偏差	基本尺寸	极限偏差									
400	2	710		1000		375	90	0.035	170	±0.5	25	0	81	400						210	1094	900	610	1520	230	1490	109	2290
	335					110	0						100															
450	2	800	±1.75	1120	±1.75	400	100	0.04	210		28	0	90	450		35			210	1174	980	680	1640	230	1550	149	2430	
	120					120	-0.052						109															
450	4	800	±1.75	1120	±1.75	355	130	0.015	250		32	0	119	450		42			210	1174	980	680	1640	230	1550	149	2385	
	130					130	-0.062						119															
500	2	900	±2.1	1250	±2.1	560	110	0.035	210	±0.57	28	0	100	500	0	-1.0	0.62	0	210	1314	1120	720	1750	305	1980	309	2630	
	335					130	0						119															
500	4	900	±2.1	1250	±2.1	475	140	0.04	250		36	0	128	560	-0.3	42			210	1410	1220	710	1880	340	1780	387	2600	
	140					140	-0.062						128															
560	2	1000	±2.1	1400	±2.1	560	130	0.015	250		32	0	119	560	-0.2				210	1410	1220	710	1880	340	1900	387	2780	
	36					150	-0.062						138															
560	4	1000	±2.1	1400	±2.1	500	160	0.015	250	±0.65	40	0	147	560	-0.3				210	1410	1220	710	1880	340	1900	387	2780	
	36					160	-0.062						147															
630	2	1120	±2.1	1600	±2.1	560	140	0.015	250	±0.57	36	0	128	630	-0.3				210	1620	1360	715	2020	300	2250	507	3040	
	36					170	-0.062						157															
630	4	1120	±2.1	1600	±2.1	530	180	0.015	300	±0.65	45	0	165	630	-0.3				210	1620	1360	715	2020	300	2250	507	2975	
	45					180	-0.062						165															

CY-H

CY-H

◆ 主要产品介绍 Main Product Introduction

YE2 系列三相异步电动机 (H80-355)
 YE3 系列三相异步电动机 (H80-355)
 YE4 系列三相异步电动机 (H80-355)
 YE2、YE3 系列高温消防排烟风机专用电机 (H80-355)
 Y-H 系列船用三相异步电动机 (H63-355)
 YD 系列变极多速三相异步电动机 (H80-315)
 YDT 系列通风机用多速三相异步电动机 (H80-315)
 YVF2 系列变频调速三相异步电动机 (H80-355)
 YH 系列高转差率三相异步电动机 (H80-315)
 Y-W 系列户外型三相异步电动机 (H80-355)
 YT 系列轴流式通风机用三相异步电动机 (H80-132)
 1L(IP23) 系列三相异步电动机 (H160-355)
 Y(IP23) 系列三相异步电动机 (H400-500)
 YZS 系列起重用三相异步电动机 (H160-225)
 YEJ 系列电磁制动三相异步电动机 (H80-225)
 YB3 系列隔爆型三相异步电动机 (H80-355)
 YBK3 系列煤矿井下用隔爆型三相异步电动机 (H80-355)
 YB3-H 系列船用隔爆型三相异步电动机 (H80-355)
 YBBP 系列隔爆型变频调速三相异步电动机 (H80-355)
 YBX3 系列高效率隔爆型三相异步电动机 (H80-355)
 YFB2 系列粉尘防爆型三相异步电动机 (H80-355)
 YFB3 系列粉尘防爆型高效率三相异步电动机
 YB3 系列高压隔爆型三相异步电动机 (6KV, H400-500)
 YB3 系列高压隔爆型三相异步电动机 (10KV, H400-500)
 YBBP 系列高压隔爆型变频调速三相异步电动机 (6KV, H400-450)
 YBBP 系列高压隔爆型变频调速三相异步电动机 (10KV, H400-450)
 Y3 系列三相异步电动机 (H355-450)
 Y 系列高压三相异步电动机 (H355-800)
 YKK 系列高压三相异步电动机 (H355-800)
 Y2 系列高压三相异步电动机 (H355-560)
 YX 系列高效高压三相异步电动机 (6KV, H355-630)
 YX 系列高效高压三相异步电动机 (10KV, H400-630)
 YR 系列高压绕线转子三相异步电动机 (H355-1000)
 YRKK 系列高压绕线转子三相异步电动机 (H355-1000)
 YFSS 系列双馈异步风力发电机 (H450-630)
 YFWK 系列双馈异步风力发电机 (H500)

YE2 Series High Efficiency 3-Phase Asynchronous Motor
 YE3 Series Premium Efficiency 3-Phase Asynchronous Motor
 YE4 Series Super-Premium 3-Phase Asynchronous Motor
 YE2、YE3 Series Special Motor for Smoke and Heat Exhaust Ventilators
 Y-H Series 3-Phase Asynchronous Motor In Ships
 YD Series 3-Phase Multi-Speed Motor
 YDT Series Ventilator used 3-Phase Multi-Speed Motor
 YVF2 Series Frequency Control 3-Phase Asynchronous Motor
 YH Series High Slip 3-Phase Asynchronous Motor
 Y-W Series Outdoor used 3-Phase Asynchronous Motor
 YT Series Ventilator used 3-Phase Asynchronous Motor
 1L(IP23) Series 3-Phase Asynchronous Motor
 Y(IP23) Series 3-Phase Asynchronous Motor
 YZS Series Crane 3-Phase Asynchronous Motor
 YEJ Series Electromagnetic Braking 3-Phase Asynchronous Motor
 YB3 Series Flameproof 3-Phase Asynchronous Motor
 YBK3 Series Flameproof 3-Phase Asynchronous Motor for Coal Mines
 YB3-H Series Flameproof 3-Phase Asynchronous Motor For Ships
 YBBP Series Flameproof Frequency Control 3-Phase Asynchronous Motor
 YBX3 Series High Efficiency Flameproof 3-Phase Asynchronous Motor
 YFB2 Series Dust Explosion-Proof 3-Phase Asynchronous Motor
 YFB3 series dust explosion-proof high efficiency three-phase asynchronous motor
 YB3 series high voltage flameproof three-phase asynchronous motor (6KV, H400-500)
 YB3 series high voltage flameproof three-phase asynchronous motor (10KV, H400-500)
 YBBP series high voltage flameproof type variable frequency and speed three-phase asynchronous motor (6KV, H400-450)
 YBBP series high voltage flameproof type variable frequency and speed three-phase asynchronous motor (10KV, H400-450)
 Y3 Series 3-Phase Asynchronous Motor
 Y Series High-Voltage 3-Phase Asynchronous Motor
 YKK Series High-Voltage 3-Phase Asynchronous Motor
 Y2 Series High-Voltage 3-Phase Asynchronous Motor
 YX Series High Efficiency High-Voltage 3-Phase Asynchronous Motor
 YR Series High-Voltage 3-Phase Wound Rotor Asynchronous Motor
 YRKK Series High-Voltage 3-Phase Wound Rotor Asynchronous Motor
 YFSS Series Doubly Fed Induction Windmill Generator
 YFWK Series Doubly Fed Induction Windmill Generator

◆ 客户合作 Cooperative Partner

