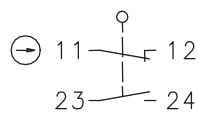


## Plastic bodied limit switch Series C2

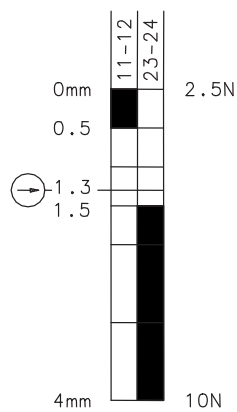
Description **C2-U1Z R**

Article number **6008116013**

### Operating symbol

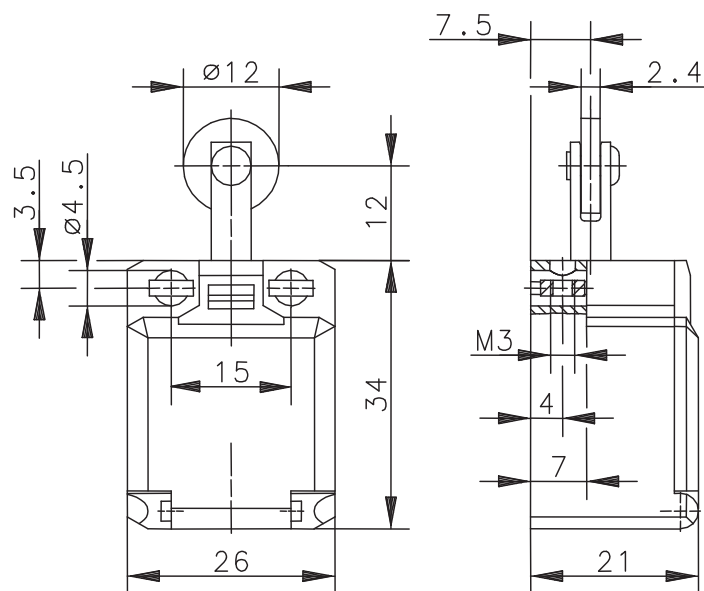


### Operating diagram



Tolerance:  
Operating point  $\pm 0,25$  mm;  
Operating force  $\pm 10\%$

On Off



### Electrical Data

|                                 |           |                                   |
|---------------------------------|-----------|-----------------------------------|
| Rated insulation voltage        | $U_i$     | 250 V AC                          |
| Conv. thermal current           | $I_{the}$ | 10 A                              |
| Rated operational voltage       | $U_e$     | 240 V                             |
| Utilization category            |           | AC-15, $U_e/I_e$ 240 V / 3 A      |
| Direct opening action           | $\ominus$ | acc. to IEC/EN 60947-5-1, Annex K |
| Short-circuit protective device |           | Fuse 6 A gG                       |
| Protection class                |           | II, totally insulated             |

| Mechanical data          |   |
|--------------------------|---|
| Enclosure                | Thermoplastic, glass fibre reinforced (UL 94-V0)  |
| Cover                    | Thermoplastic   |
| Actuator                 | Roller (St)   |
| Ambient air temperature  | -30 °C ... +80 °C   |
| Contact type             | 1 NC, 1 NO (Zb)   |
| Mechanical life          | 3 x 10 <sup>6</sup> operating cycles  |
| Switching frequency      | ≤ 100 / min.  |
| Assembly                 | 2 x M3  |
| Connection               | 4 screw connections (M3,5)  |
| Conductor cross-sections | Solid: 0,5 ... 1,5 mm <sup>2</sup> or<br>Litz wire with ferrules: 0,5 ... 1,5 mm <sup>2</sup>                               |
| Cable entrance           | Rectangle 8,5 x 3,5 mm  |
| Weight                   | ≈ 0,02 kg   |
| Installation position    | operator definable  |
| Protection type          | IP20 nach EN 60529; DIN VDE 0470 T1<br>IP30 bei voller Kontaktbelegung, mit Litzen deren<br>Außendurchmesser ≥ 2,2 beträgt. |

| Actuation  |
|--|
| The push bolt actuator is mainly intended to be actuated along its axis.<br>Side actuation will considerably reduce switch life.<br>The switch may not be used as a mechanical stop. |

| ID for safety engineering       |
|---------------------------------|
| B10d 6 x 10 <sup>6</sup> cycles |

| Standards                                      |
|--|
| VDE 0660 T100, DIN EN 60947-1, IEC 60947-1     |
| VDE 0660 T200, DIN EN 60947-5-1, IEC 60947-5-1 |
| DIN EN ISO 13849-1                             |

| EU Conformity                |
|------------------------------|
| acc. to directive 2014/35/EU |

| Approvals               |
|-------------------------|
| cCSA <sub>US</sub> , UL |
| CCC                     |

| Notes  |
|--|
| The specified protection classification (IP code) applies only when the cover is closed. |