

## **SERIES K8DV**

### **SOLENOID VALVES WITH FLUID SEPARATION MEMBRANE**



The K8DV solenoid valve was born to meet all the demands to shut off aggressive or heat sensitive fluids. Thanks to a fluid separation membrane, the fluid is isolated from all internal metal parts of the solenoid valve and avoids heating, even if minimum, generated by the solenoid positioned above.

To choose the most suitable model for a specific application, check the chemical compatibility of the medium to control with the available materials of body and seals.

**2/2-way - Normally Closed (NC)**

**Very compact design  
and reduced weight**

**High flow performances**

**Very low internal volume**

**Suitable to be applied  
in medical equipment  
and analytical instruments**

## General data

TECHNICAL FEATURES	
Function	2/2 NC
Operation	directly operated with fluid separation membrane
Pneumatic connections	cartridge for manifold or flanged for subbase
Nominal diameter	0.7 mm
Flow efficient kv (l/min)	0.1
Operating pressure	0 ÷ 2.1 bar
Operating temperature	5 ÷ 50°C
Media	liquids / aggressive or inert gases
Response time (ISO 12238)	ON ≤ 10 ms - OFF ≤ 15 ms
Installation	in any position

MATERIALS IN CONTACT WITH THE MEDIUM	
Body	PEEK
Seals	FKM - EPDM

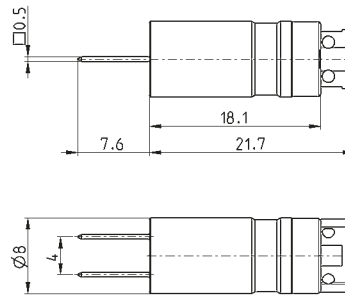
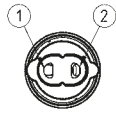
ELECTRICAL FEATURES	
Voltage	24 V DC - 12 V DC - 6 V DC - 5 V DC - 3 V DC - other voltages on demand
Voltage tolerance	±10%
Power consumption	0.6 W
Duty cycle	ED 100%
Electrical connection	2 Pins 0.5 x 0.5 spacing 4 mm
Protection class	IP00

## Coding example

<b>K8DV</b>	<b>C</b>	<b>00</b>	<b>-</b>	<b>5</b>	<b>0</b>	<b>5</b>	<b>-</b>	<b>G</b>	<b>2</b>	<b>3</b>
-------------	----------	-----------	----------	----------	----------	----------	----------	----------	----------	----------

<b>K8DV</b>	SERIES
<b>C</b>	TYPE OF BODY: C = cartridge version 0 = flanged version
<b>00</b>	NUMBER OF POSITIONS: 00 = valve without housing
<b>5</b>	NUMBER OF WAYS - FUNCTIONS: 5 = 2-way NC
<b>0</b>	SEAL MATERIAL: 0 = FKM 4 = EPDM
<b>5</b>	NOMINAL DIAMETER: 5 = 0.7 mm
<b>G</b>	BODY MATERIAL: G = PEEK
<b>2</b>	ELECTRICAL CONNECTION: 2 = interface pin size 4 mm
<b>3</b>	VOLTAGE - POWER CONSUMPTION: 1 = 6V DC - 0.6 W 2 = 12V DC - 0.6 W 3 = 24V DC - 0.6 W 4 = 3V DC - 0.6 W 5 = 5V DC - 0.6 W

## Cartridge version

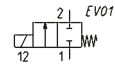


### DRAWING LEGEND:

1 = supply  
2 = inlet

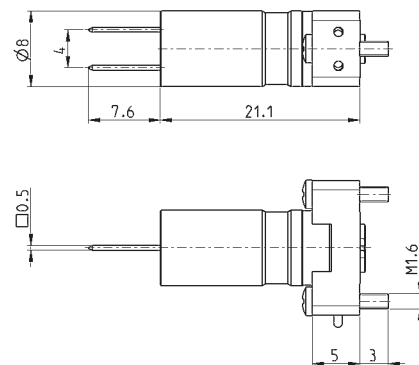
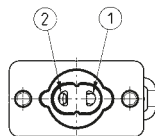
### NOTE TO THE TABLE:

\* to complete the code add  
VOLTAGE - POWER CONSUMPTION  
(see the CODING EXAMPLE)



Mod.	Nominal diameter Ø (mm)	kv (l/min)	Min÷max pressure (bar)	Body material	Seal material
<b>K8DVC00-505-G2*</b>	0.7	0.1	0 ÷ 2.1	PEEK	FKM
<b>K8DVC00-545-G2*</b>	0.7	0.1	0 ÷ 2.1	PEEK	EPDM

## Flanged version

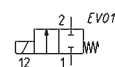


### DRAWING LEGEND:

1 = supply  
2 = inlet

### NOTE TO THE TABLE:

\* to complete the code add  
VOLTAGE - POWER CONSUMPTION  
(see the CODING EXAMPLE)



Mod.	Nominal diameter Ø (mm)	kv (l/min)	Min÷max pressure (bar)	Body material	Seal material
<b>K8DV000-505-G2*</b>	0.7	0.1	0 ÷ 2.1	PEEK	FKM
<b>K8DV000-545-G2*</b>	0.7	0.1	0 ÷ 2.1	PEEK	EPDM

## Contacts

[fluid@camozzi.com](mailto:fluid@camozzi.com)

For further information about our products and conditions of sale,  
please contact the Camozzi Fluid Control department at:

**Camozzi Automation S.p.A.**

Società Unipersonale  
Via Eritrea, 20/I  
25126 Brescia  
Italy  
Tel. +39 030 37921

**Customer Service**

Tel. +39 030 3792790  
[service@camozzi.com](mailto:service@camozzi.com)

**Export Department**

Tel. +39 030 3792262  
[sales@camozzi.com](mailto:sales@camozzi.com)



Automation

