

11dBi Circularly Polarized Directional Antenna-Strigiformes

User manual

用户手册

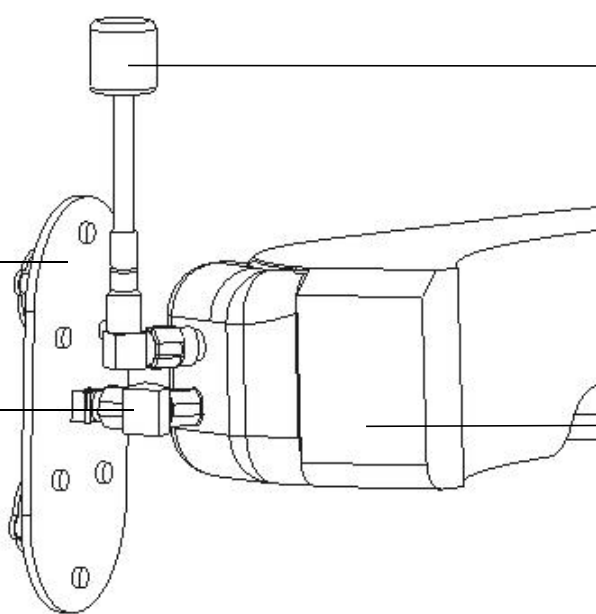
各部件名称

11dBi 圆极化天线

棒棒糖天线

45° 转接头

眼罩



包装清单

单天线：11dBi 圆极化天线×1；SMA 接头棘轮×1；用户手册×1；

套餐：11dBi 圆极化天线×1；SMA 接头棘轮×1；用户手册×1；

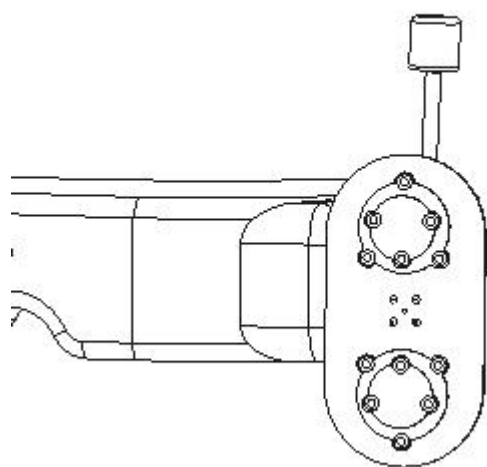
45° 转接头×1；棒棒糖天线×1。

产品规格

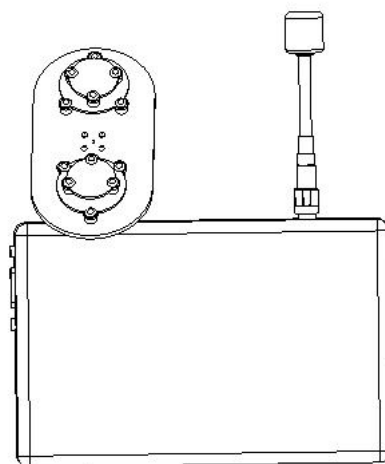
频率范围 (MHz)	5500-5800
接收	RX
增益(dBi)	11
半功率波束	75° H-plane 40° E-plane
接口方式	内螺纹内针/内孔
净重(g)	19
天线尺寸 (mm)	82*42*24
包装尺寸 (mm)	157*116*43

天线安装示意图

◆正视图

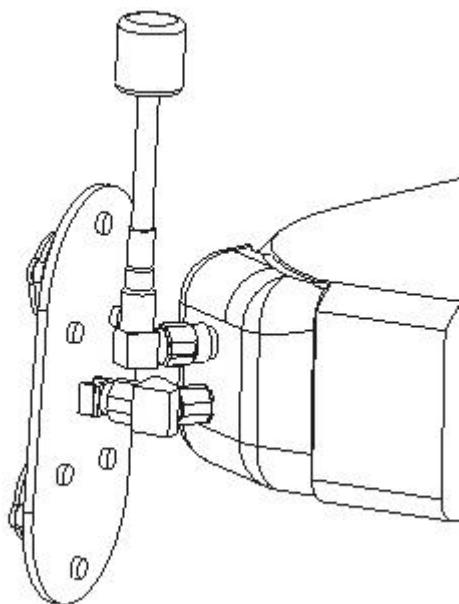


眼罩天线安装示意图

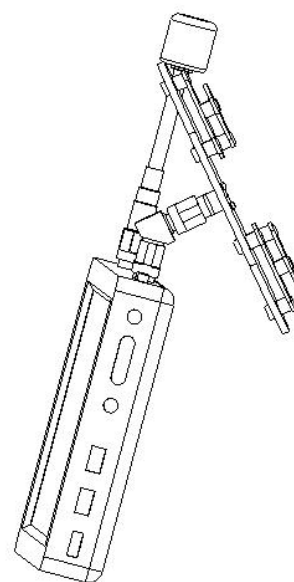


显示屏天线安装示意图

◆侧视图



眼罩天线安装示意图



显示屏天线安装示意图

(在安装天线时，根据飞行习惯，适当调整天线的俯仰角度，使无人机在正常飞行时，接收天线垂直于地面效果最佳。)

天线使用介绍

- ◆本产品适用无人机远距离巡航飞行。
- ◆天线使用时，推荐使用 5650-5700Mhz 工作频率，干扰较小。
- ◆天线使用时，无人机需在天线（定向天线）的接收信号范围内。
 - (1)无人机在视线内时，天线需要大约指向无人机。
 - (2)无人机远离视线时，根据接收信号强弱，适当调天线的指向（调整幅度不宜过快过大），使图传稳定。

售后服务

- *本产品提供终身的免费技术支持服务。
- *如正常使用情况下产生的质量问题，公司提供 24 小时服务响应。
- *售后联系方式

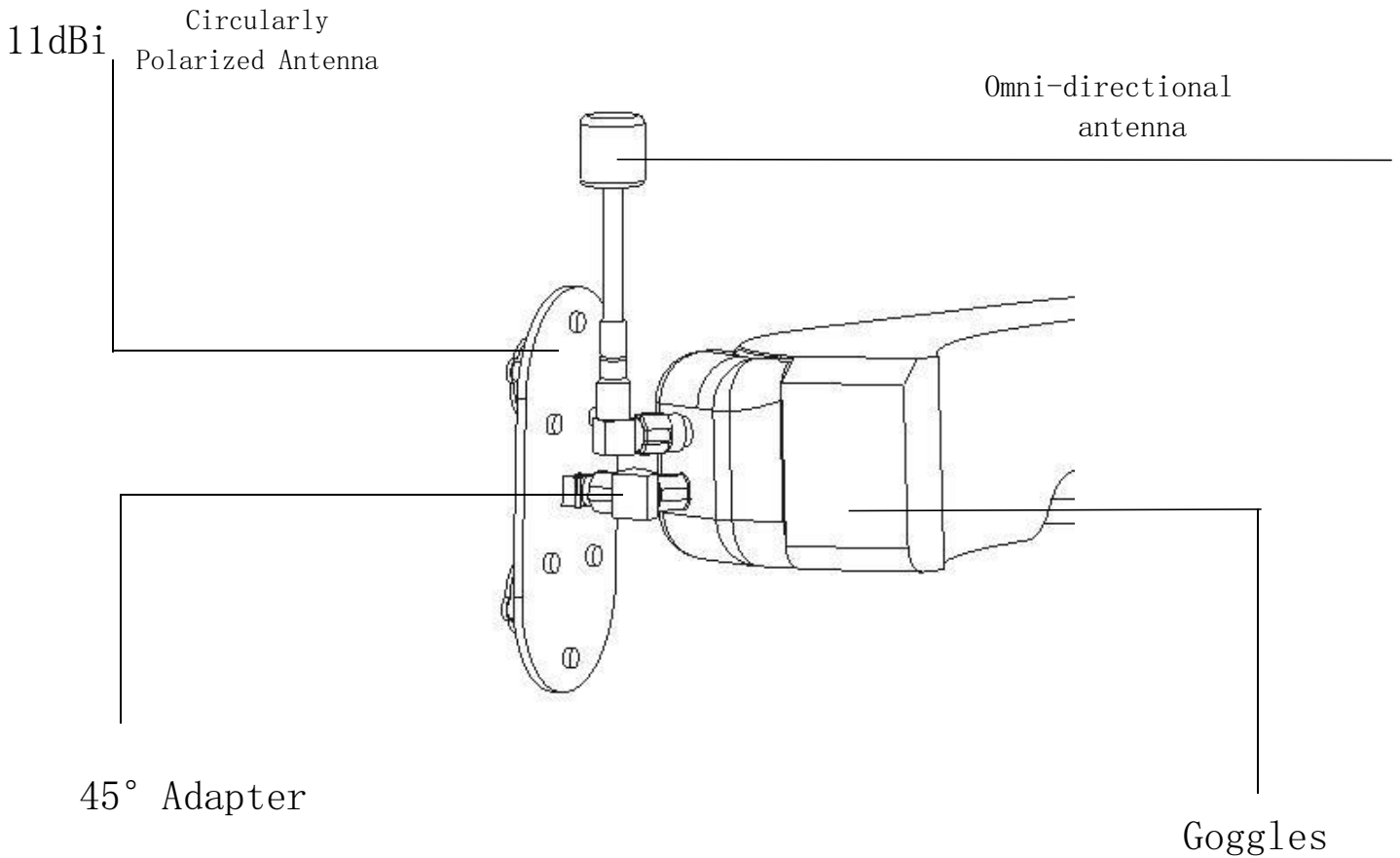
QQ: 17324764

邮箱: mrgong@126.com

微信;13506025341

电话;0595-86203811

Overview



Accessories list

Single antenna: 11dBi circularly polarized antenna × 1; SMA connector jacket × 1; user manual × 1.

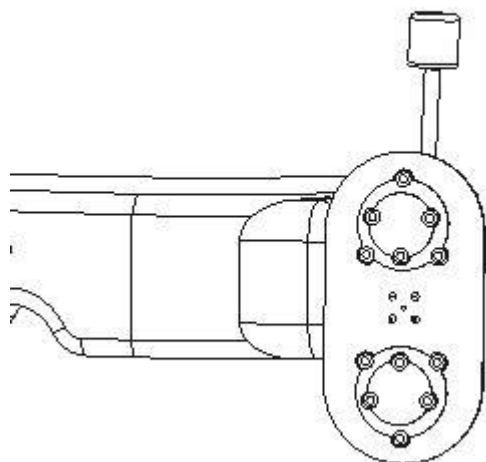
Package: 11dBi circular polarization antenna × 1; SMA connector jacket × 1; user manual × 1; 45° adapter × 1; Omni-directional antenna × 1.

Product Specifications

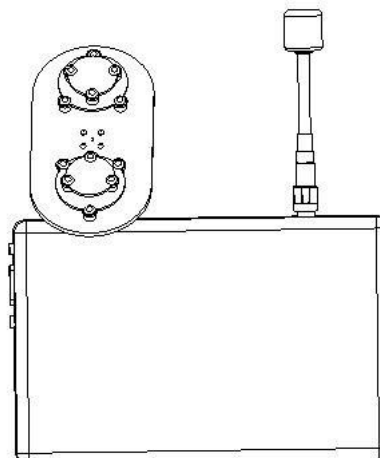
Frequency range(MHz)	5500-5800
Receiving	RX
Gain(dBi)	11
Half Power Beam	75°H-plane 40°E-plane
Connector type	SMA-Male / RP-SMA
Net weight (g)	19
Antenna Size(mm)	82*42*24
Package Size(mm)	157*116*43

Antenna installation schematic

◆ Front view

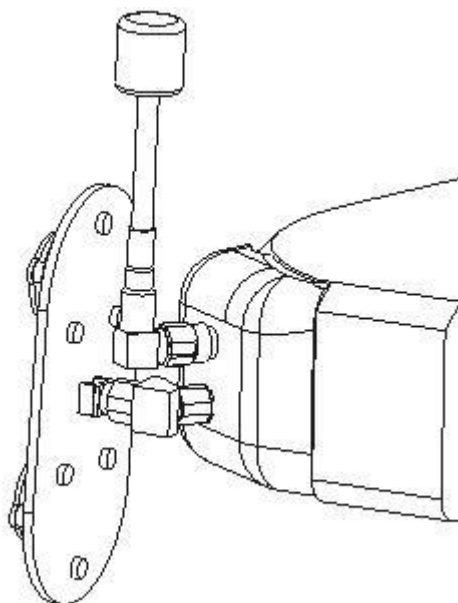


Goggles antenna installation diagram

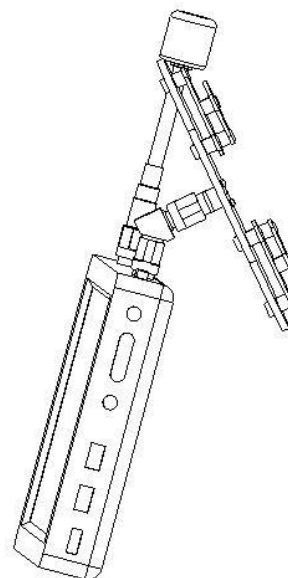


Display antenna installation diagram

◆ Side view



Goggles antenna installation diagram



Display antenna installation diagram

(When installing the antenna, the pitching Angle of the antenna should be adjusted appropriately according to the flying habits, so that the receiving antenna is perpendicular to the ground when the UAV is in normal flight)

Antenna Instructions

- ◆ This product is suitable for UAV long-distance cruise flight.
 - ◆ When antenna is used, it is recommended to use 5650-5700Mhz working frequency, which has less interference.
 - ◆ When the antenna is used, the UAV should be within the receiving signal range of the antenna (directional antenna).
- (1) When the UAV is in line of sight, the antenna should be approximately pointed at the UAV.
- (2) When the UAV is far from the line of sight, the antenna pointing should be adjusted appropriately (the adjustment amplitude should not be too fast or too large) according to the strength of the received signal to make the image stable.

After Sales Service

- * We provide free lifetime technical support service.
- * If quality problems arise under normal use, the company provides 24-hour service response.

*After-sales contact

QQ: 17324764

E-mail: g.yunfeng@gmail.com



0595-86203811

www.maple-wireless.cn

Quanzhou Maple Leaf Electronic Technology Co.