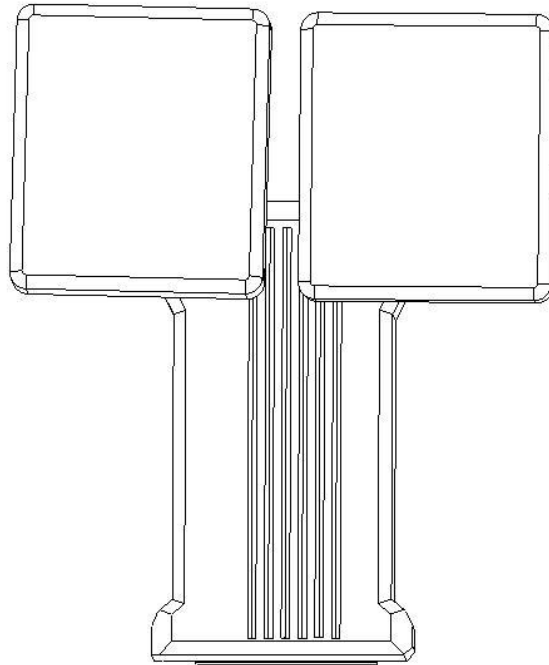




MAPLE WIRELESS



HD Transmission Antenna

High gain orientation

User manual

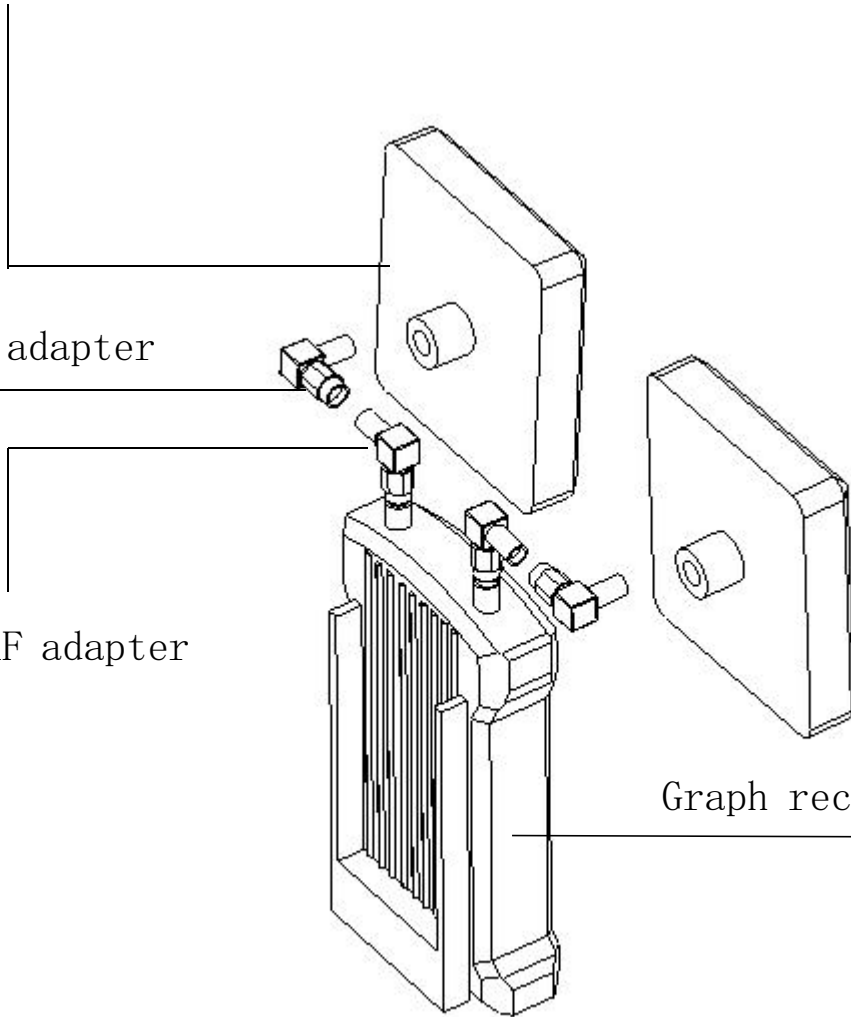
Component Name

High gain directional antenna

90° RF adapter

90° RF adapter

Graph receiving equipment



Packing list

14dBi high gain directional antenna ×2; SMA RF connector ratchet ×4; User manual ×1; 90° RF connector x 4.

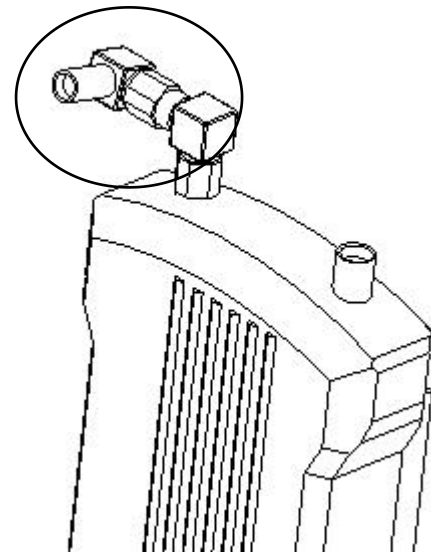
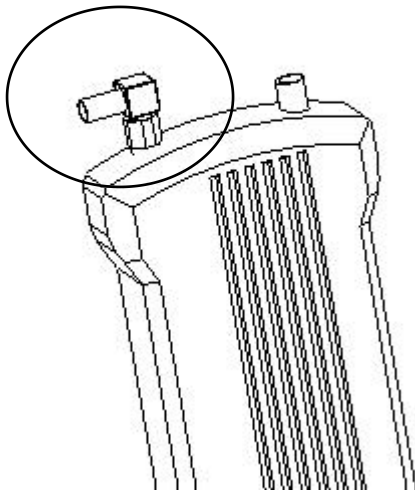
Product Specifications

Frequency range(MHz)	5100-5900
Receiving	RX
Gain(dBi)	14
Half Power Beam	40° H-plane 38° E-plane
Connector type	RP-SMA
Net weight (g)	141.6
Antenna Size(mm)	68*60*15
Package Size(mm)	177*128*35

Antenna installation

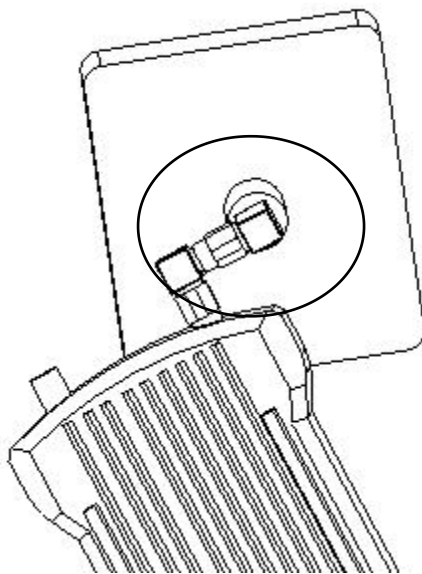
1、 Secure the 90° RF connector

◆Fix the 90° RF connector according to the installation orientation of the device.



2、 Fixed the antenna

◆Fix the antenna according to the mounting orientation of the RF connector.



3、 Adjust antenna Angle

◆Adjust the antenna according to the azimuth of the transmitting equipment, so that the antenna is always facing the transmitting equipment when working.

After Sales Service

*This product is guaranteed for one year.

During the warranty period, the company will provide free repair for the faults caused by normal use in accordance with the operating instructions.

* Product appearance is not covered by warranty.

*After-sales contact QQ: 17324764

E-mail: g.yunfeng@gmail.com

Facebook: Maple wireless



0595-86203811

www.maple-wireless.cn

Quanzhou Maple Leaf Electronic Technology Co.