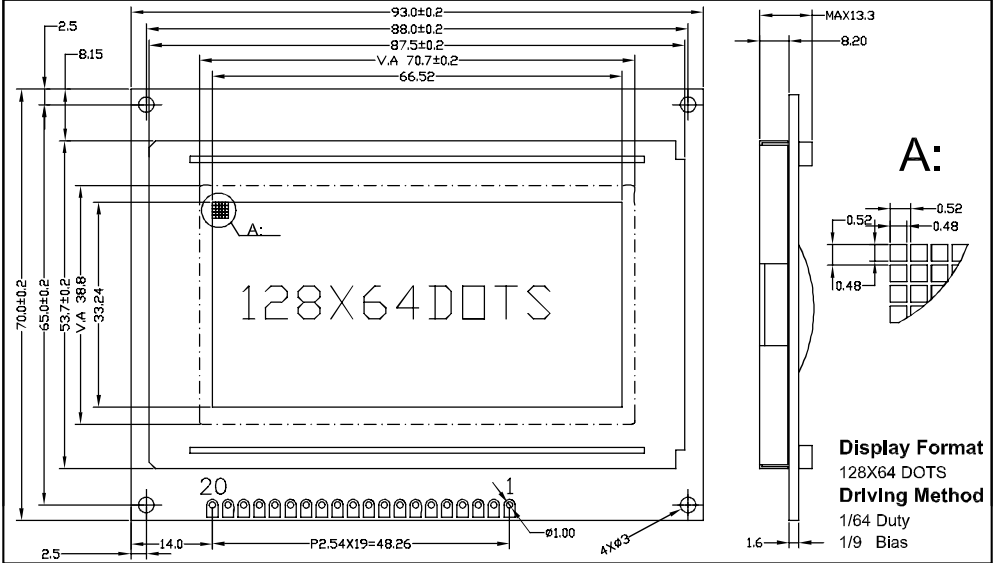


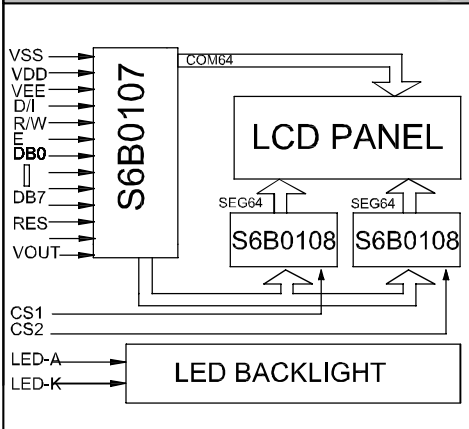
① PHYSICAL DIMENSION



② MECHANICAL DATA

| ITEM | SPECIFICATION | UNIT |
|------------------------------------|--------------------|------|
| Module Size With B/L (W X H X T) | 93.0 X 70.0 X 13.3 | mm |
| Viewing Area (W X H) | 70.7 X 38.8 | mm |
| Number of Dots (W X H) | 128 X 64 | dots |
| Dot Pitch (W X H) | 0.52 X 0.52 | mm |
| Dot Size (W X H) | 0.48 X 0.48 | mm |
| Weight | 70.0 (With B/L) | g |

④ BLOCK DIAGRAM



③ PIN CONFIGURATION

| ITEM | SYMBOL | DESCRIPTION | |
|------|--------|---|-------------------------------|
| 1 | VSS | Power ground | |
| 2 | VDD | Power positive (+5V±10%), | |
| 3 | V0 | Operating voltage for LCD Driver(variable) | |
| 4 | D/I | H/Data L:Instruction Code | |
| 5 | R/W | Read or Write, | |
| 6 | E | Enable trigger. | |
| 7 | DB0 | Data bus [0~7]. These state I/O common terminal. | |
| 14 | DB7 | | |
| 15 | CS1 | | Chip 1 Select |
| 16 | CS2 | | Chip 2 Select |
| 17 | RESET | | System reset low active. |
| 18 | VEE | | Supply Voltage for LCD Drive. |
| 19 | LED_A | | Backlight Anode(+5V). |
| 20 | LED_K | Backlight Cathode (0V). | |

⑤ ABSOLUTE MAXIMUM RATINGS (25°C)

| PARAMETER | SYMBOL | MIN. | MAX. | UNIT |
|-----------------------|---------|------|------|------|
| SUPPLY VOLTAGE LOGIC | VDD | 0 | 5.5 | V |
| SUPPLY VOLTAGE DRIVER | VDD-VEE | 0 | 15 | V |
| INPUT VOLTAGE | VIN | 0 | VDD | V |