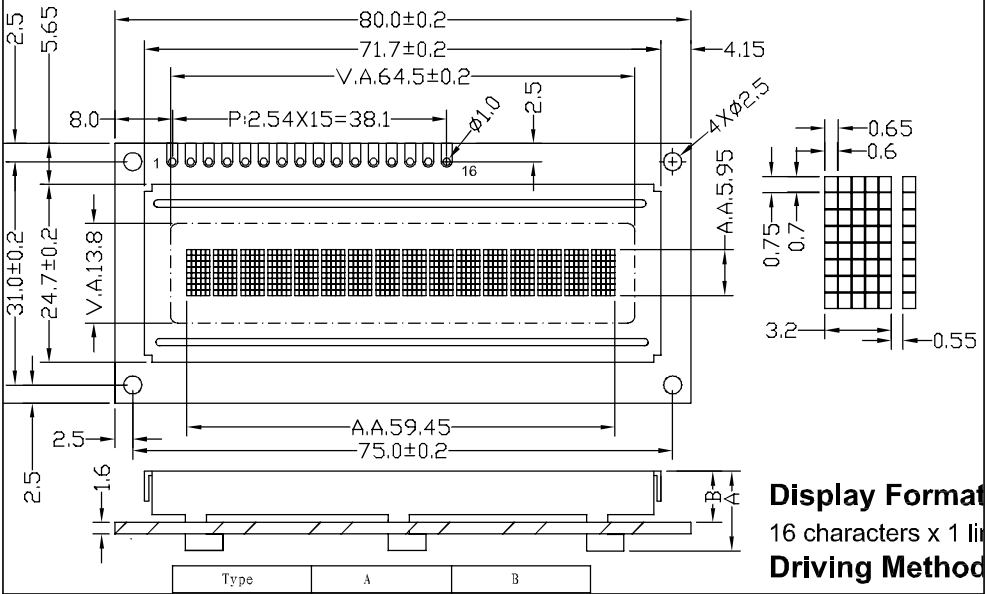


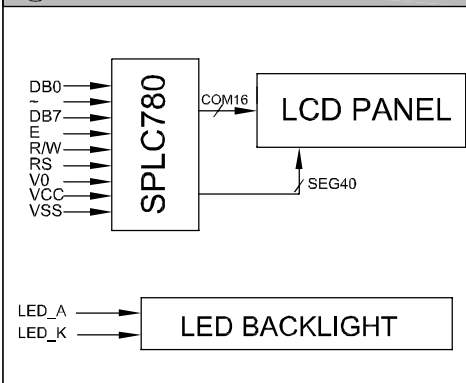
## ① PHYSICAL DIMENSION



## ② MECHANICAL DATA

ITEM	SPECIFICATION	UNIT
Module Size With B/L (W X H X T)	80X36X9 and 80X36X12.5	mm
Viewing Area (W X H)	64.5 X 13.8	mm
Number of Characters (W X H)	16 X 1	Characters
Dot Pitch (W X H)	0.65 X 0.75	mm
Dot Size (W X H)	0.60 X 0.70	mm
Weight	50.0 (With B/L)	g

## ④ BLOCK DIAGRAM



## ③ PIN CONFIGURATION

ITEM	SYMBOL	DESCRIPTION
1	VSS	Power ground
2	VCC	Power positive (+5V±10%).
3	V0	Negative voltage Supply for LCD
4	RS	H:Data L:Instruction Code
5	R/W	H:Read L:Write
6	E	Enable trigger.
7	DB0	Data bus [0~7]. There state I/O common terminal.
14	DB7	
15	LED_A	Backlight Anode(+5V).
16	LED_K	Backlight Cathode (0V).

## ⑤ ABSOLUTE MAXIMUM RATINGS (25°C)

PARAMETER	SYMBOL	MIN.	MAX.	UNIT
SUPPLY VOLTAGE LOGIC	VDD	0	5.5	V
SUPPLY VOLTAGE DRIVER	VDD-V0	0	7	V
INPUT VOLTAGE	VIN	0	VDD	V