

ABSOLUTE MAXIMUM RATINGS

Item	Symbol	Min.	Max.	Unit
Supply Voltage(Logic)	V _{dd} - V _{ss}	-0.3	7.0	V
Supply Voltage(LCD)	V _{dd} - V ₀	-0.3	25.0	V
Input Voltage	V _i	-0.3	V _{dd} + 0.3	V
Operating Temp.	T _{opr}	-20	70	°C
Storage Temp.	T _{stg}	-30	80	°C

MECHANICAL DATA

Item	Max.	Unit
Module Size (W X H X T)	130.0 X 65.0 X 13.5	mm
Viewing Area(W X H)	104.0 X 39.0	mm
Dot Pitch(W X H)	0.51 X 0.51	mm
Dot Size(W X H)	0.46 X 0.46	mm
View Angle	6 or 12 O'Clock	

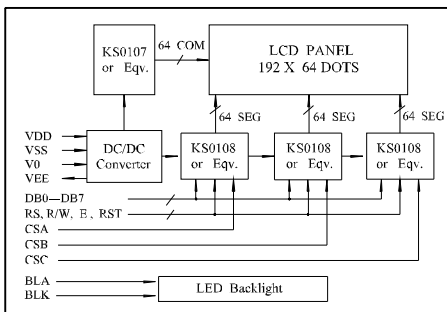
ELECTRICAL CHARACTERISTICS (V_{dd}=5V±0.25V)

Item	Symbol	Test Condition	Min.	Typ.	Max.	Unit
Input High Voltage	V _{ih}	--	2.0	--	V _{dd}	V
Input Low Voltage	V _{il}	--	-0.3	--	0.8	V
Output High Voltage	V _{oh}	I _{oh} =-0.2mA	2.4	--	V _{dd}	V
Output Low Voltage	V _{ol}	I _{ol} =1.6mA	0	--	0.4	V
Supply Current	I _{dd}	V _{dd} =5.0V	--	8.0	10.0	mA
LCD Driving Voltage	V _{dd} - V ₀	T _a =25°C	--	12.7	--	V

PIN CONNECTIONS

Pin	Symbol	Level	Function
1	VSS	0V	Power GND
2	VDD	-5V	Power supply for logic
3	V0	--	Operation voltage for LCD
4	RS	H/L	H:Data L:Instruction code
5	R/W	H/L	H:Read L:Write
6	E	H/L	Enable signal
7	DB0	H/L	Data bus line
8	DB1	H/L	
9	DB2	H/L	
10	DB3	H/L	
11	DB4	H/L	
12	DB5	H/L	
13	DB6	H/L	
14	DB7	H/L	
15	CSA	L	Chip selection for IC1,active"L"
16	RST	L	Reset signal, active"L"
17	CSB	L	Chip selection for IC2,active"L"
18	CSC	L	Chip selection for IC3,active"L"
19	VEE	-10V	Output voltage for LCD driving
20	BLA	+5V	Power supply for LED backlight

BLOCK DIAGRAM



LCD Type

LCD Color	Backlight
Yellow Green	LED/Yellow-green/4.1V
Blue	LED/ White /3.2V