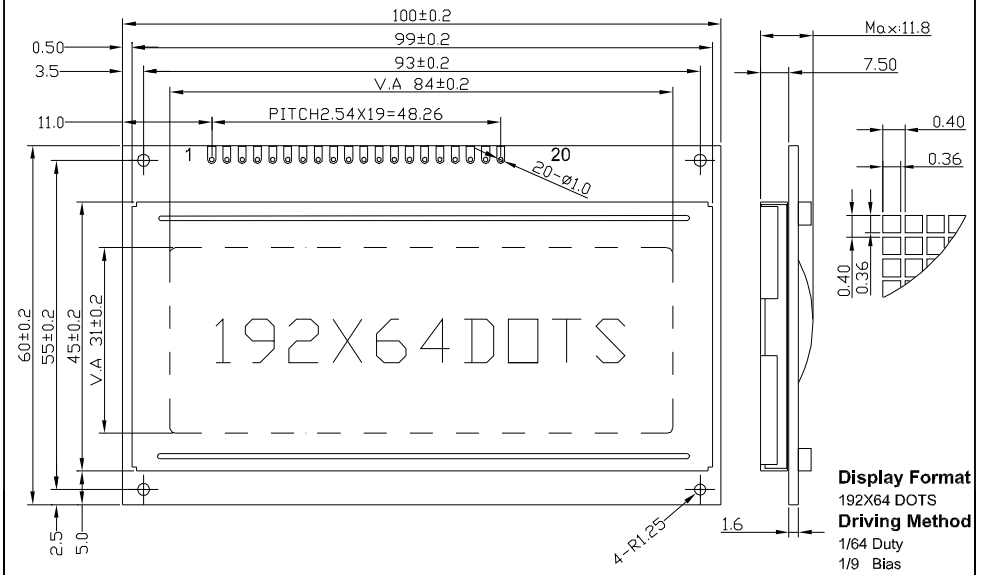


19264B

① PHYSICAL DIMENSION



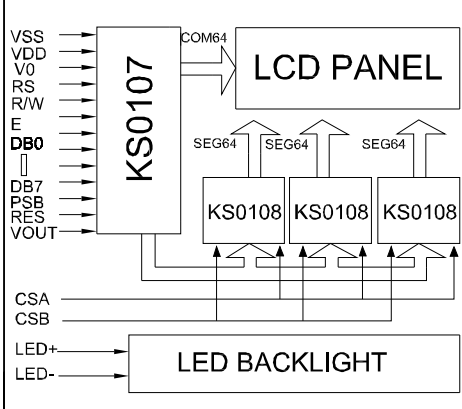
② MECHANICAL DATA

ITEM	SPECIFICATION	UNIT
Module Size With B/L (W X H X T)	100.0 X 60.0 X 11.8	mm
Viewing Area (W X H)	84.0 X 31.0	mm
Number of Dots (W X H)	192 X 64	dots
Dot Pitch (W X H)	0.40 X 0.40	mm
Dot Size (W X H)	0.36 X 0.36	mm
Weight	85.0 (With B/L)	g

③ PIN CONFIGURATION

ITEM	SYMBOL	DESCRIPTION
1	DB7	Data bus [0~7]. These share I/O common terminal.
8	DB0	
9	E	Enable trigger
10	R/W	Read/Write signal
11	RS	H:Data L:Instruction Code
12	V ₀	Operating voltage for LCD Driver(variable)
13	VDD	Power positive (+5V±10%).
14	VSS	Power ground
15	CSA	Chip Selection
16	CSB	Chip Selection
17	VO _{UT}	Negative Volt Output
18	/RES	Reset Signal
19	LED _A	Backlight Anode(+5V).
20	LED _K	Backlight Cathode (0V).

④ BLOCK DIAGRAM



⑤ ABSOLUTE MAXIMUM RATINGS (25°C)

PARAMETER	SYMBOL	MIN.	MAX.	UNIT
SUPPLY VOLTAGE LOGIC	VDD	0	5.5	V
SUPPLY VOLTAGE DRIVER	VDD-V ₀	0	15	V
INPUT VOLTAGE	V _{IN}	0	VDD	V