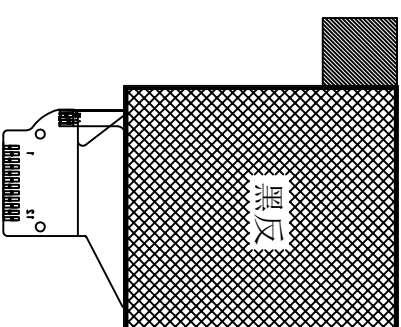
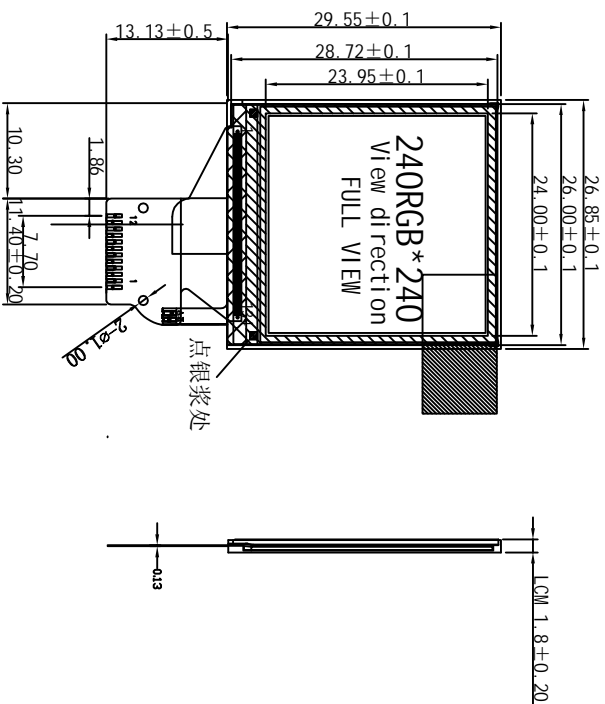
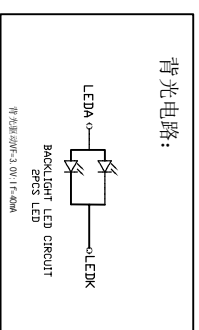


Customer Approve By

REV	DESCRIPTION	MODIFY BY	DATE
V0	1 <sup>ST</sup> DESIGN	XWZ	2020-11-26



1	GND
2	LEDK
3	LEDA
4	VCC
5	GND
6	GND
7	D/C
8	CS
9	SCL
10	SDA
11	RESET
12	GND



- Note:
1. Display Modle: 1.3", TFT-LCD IPS;
  2. Viewing Direction: FULL VIEW
  3. Operating Temp: -20~+70° C  
Storage Temp: -30~+80° C
  4. IC: ST7789V
  5. Backlight: 2 CHIP-WHITE LEDS,
  6. Unspecified tolerance is ±0.20mm
  7. ROHS Request
  8. CONTROL DIMENSION: \*
  9. REFERENCE DIMENSION: ( )
  10. Customer P/N:

# 深圳 昌 显 科 技 有 限 公 司

PROJECTION		CD	MODEL NO.:	CX-T013F003
UNIT : MM	SIZE: A4	DWG NO.:	T013F003	
SHEET 1 OF 1	Drawn By	Checked By	Approved By	VER. V0