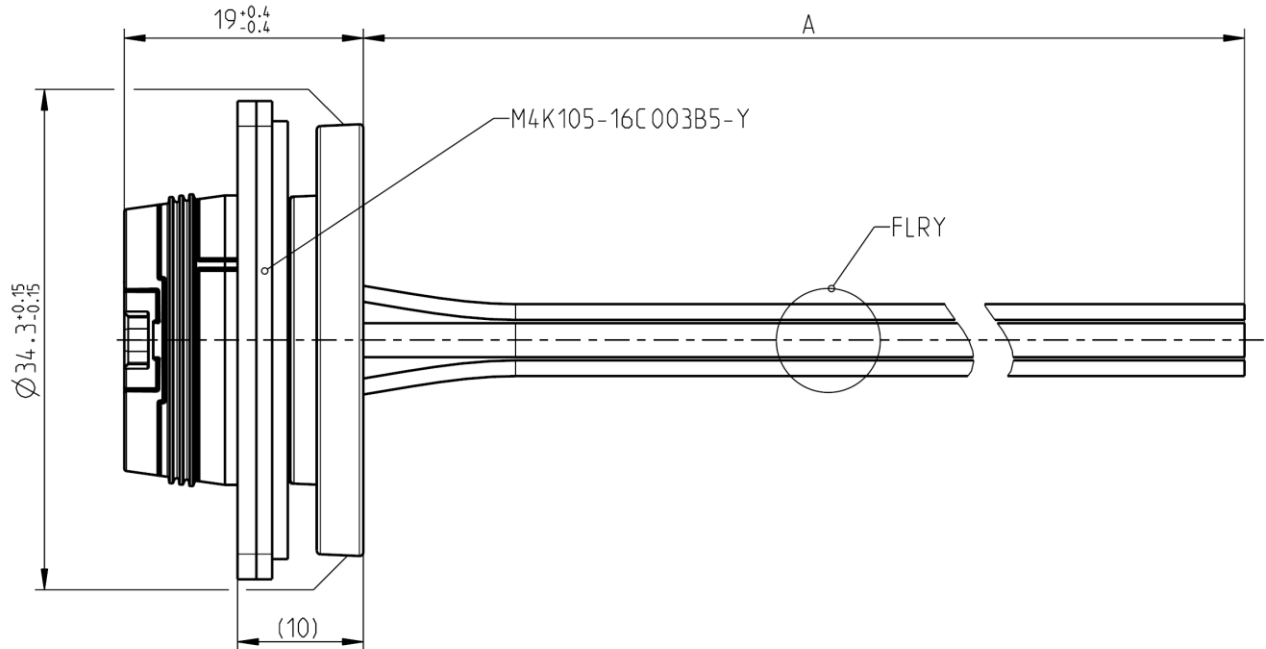


M4

Slide-in panel jack
straight 4-hole-flange

C003-BB-XXX-Y



All dimensions are in mm; tolerances according to ISO 2768 m-H

Documents

Connector data sheet
Assembly drawing

M4K105-16C003B5-Y
C003-BB-XXX-Y_LV

Cable

FLRY 2,5-B
FLRY 0,35-B

2x2,5mm²
4x0,35mm²

Packing

Standard

x pcs / cardboard – depends on cable length

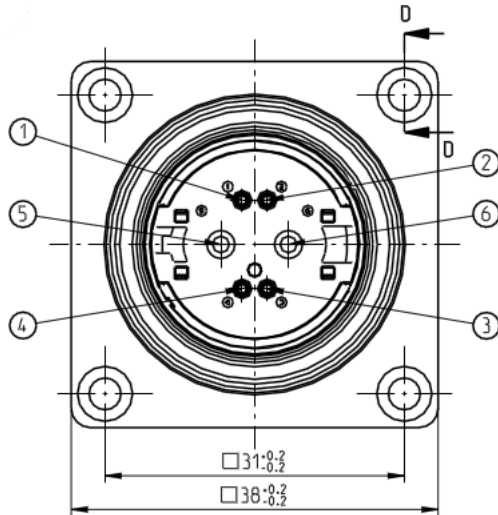
Preliminary

M4

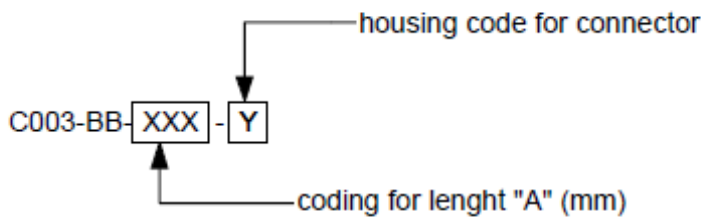
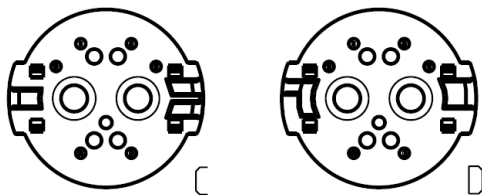
Slide-in panel jack
straight 4-hole-flange

C003-BB-XXX-Y

Pinning



Coding



Preliminary

While the information has been carefully compiled to the best of our knowledge, nothing is intended as representation or warranty on our part and no statement herein shall be construed as recommendation to infringe existing patents. In the effort to improve our products, we reserve the right to make changes judged to be necessary.

Draft	Date	Approved	Date	Rev.	Engineering change number	Name	Date
S. Schöndorfer	25.04.16	S. Schöndorfer	07.03.18	200	18-0432	B. Lorenz	07.03.18

Rosenberger Hochfrequenztechnik GmbH & Co. KG P.O.Box 1260 D-84526 Tittmoning Germany www.rosenberger.de				Tel. : +49 8684 18-0 Email : info@rosenberger.de			Page 2 / 2
--	--	--	--	--	--	--	---------------