



● GENERAL SPECIFICATIONS (电气参数):

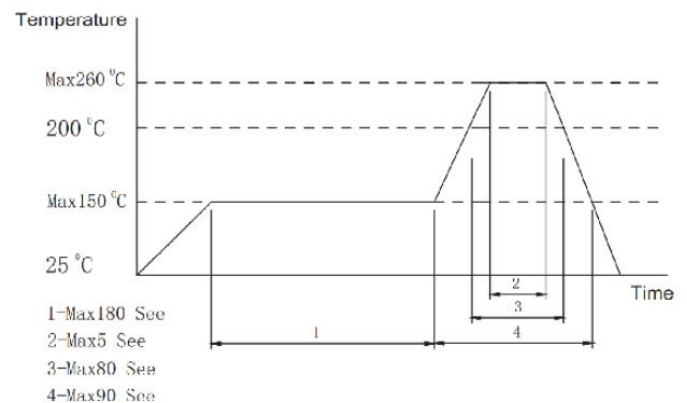
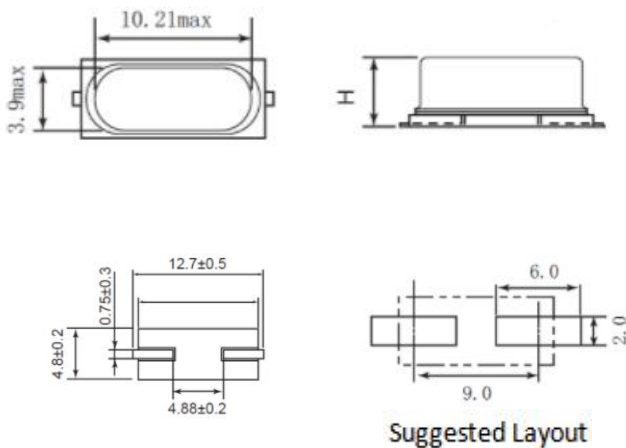
1. Holder type: (封装)	HC-49/SMD HC-49/SSMD
2. Normal Frequency: (频率范围)	3MHz~110MHz
4. Load Capacitance(CL): (负载电容)	6PF~33PF
5. Frequency Tolerance 25±3°C: (调整偏差 25±3°C)	±10PPM~±20 PPM
6. Shunt Capacitance(C0): (静态电容)	≤ 7 PF
7. Typical drive level: (激励功率)	100 uW TYP.
8. Operation Temperature Range: (工作温度)	-40°C ~ +85°C; -55°C ~ +125°C
9. Stability Over Temperature Range: (温度频差)	±10PPM~±30PPM
10. Insulation Resistance: (绝缘阻抗)	≥500 MΩ at DC 100V
11. Aging: (老化率)	±3 PPM/Year
12. Storage Temperature: (存储温度)	-55°C ~ +125°C
13. Test circuit (测试仪器)	S&A 250B / 阻抗测试仪/网络分析仪器

● Equivalent Series Resistance and Mode of Operation (等效阻抗和振荡模式)

Frequency Range 频率范围	Mode 振荡模式	ESR 等效阻抗	Frequency Range 频率范围	Mode 振荡模式	ESR 等效阻抗
3.0~3.999MHz	基频 Fundamental	≤120Ω	10.0~12.999MHz	基频 Fundamental	≤40Ω
4.0~4.999MHz	基频 Fundamental	≤90Ω	13~19.999MHz	基频 Fundamental	≤35Ω
5.0~5.999MHz	基频 Fundamental	≤90Ω	20~30.0MHz	基频 Fundamental	≤25Ω
6.0~6.999MHz	基频 Fundamental	≤65Ω	20.0~48.0MHz (BT)	基频 Fundamental	≤25Ω
7.0~7.999MHz	基频 Fundamental	≤55Ω	29.999~49.999MHz	三次泛音 3rd O. T.	≤100Ω
8.0~8.999MHz	基频 Fundamental	≤50Ω	50.0~89.999MHz	三次泛音 3rd O. T.	≤80Ω
9.0~9.999MHz	基频 Fundamental	≤45Ω	90.0~110.0MHz	三次泛音 3rd O. T.	≤120Ω

● DIMENSIONS SPECIFICATIONS (外形尺寸)

● Reflow Condition(回流焊条件)



型号	H
HC-49/SMD	4.00Max
HC-49/SSMD	2.90Max

Unit: mm