



● GENERAL SPECIFICATIONS (电气参数):

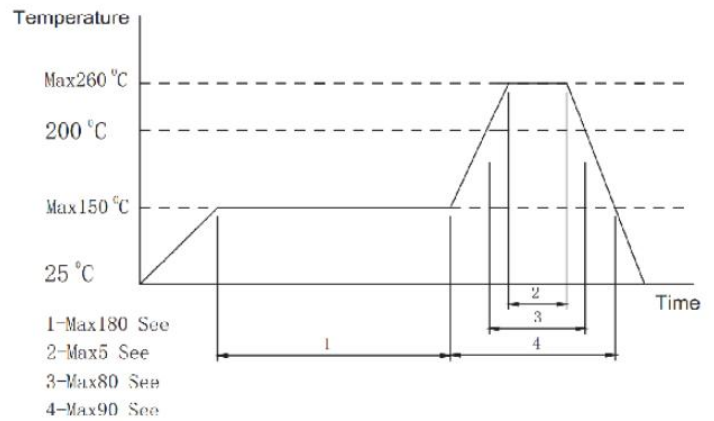
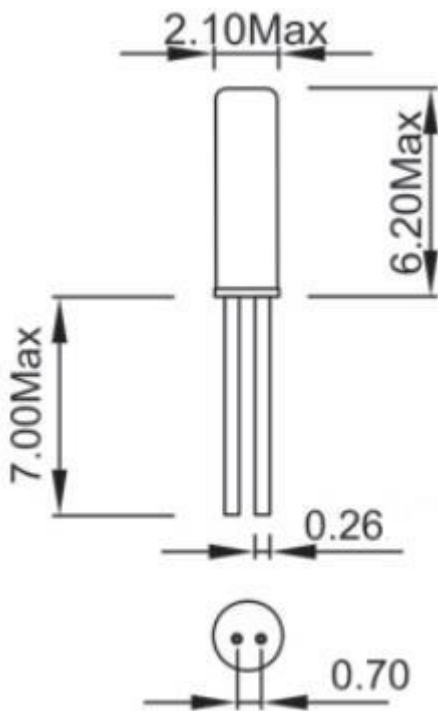
1. Holder type: (封装)	AT-206
2. Normal Frequency: (频率范围)	6MHz~65MHz
4. Load Capacitance(CL): (负载电容)	6PF~33PF
5. Frequency Tolerance 25±3°C: (调整偏差 25±3°C)	±10PPM~±20 PPM
6. Shunt Capacitance(C0): (静态电容)	≤ 7 PF
7. Typical drive level: (激励功率)	100 uW TYP.
8. Operation Temperature Range: (工作温度)	-40°C ~ +85°C
9. Stability Over Temperature Range: (温度频差)	±10PPM~±30PPM
10. Insulation Resistance: (绝缘阻抗)	≥500 MΩ at DC 100V
11. Aging: (老化率)	±3 PPM/Year
12. Storage Temperature: (存储温度)	-40°C ~ +85°C
13. Test circuit (测试仪器)	S&A 250B / 阻抗测试仪/网络分析仪器

● Equivalent Series Resistance and Mode of Operation (等效阻抗和振荡模式)

Frequency Range 频率范围	Mode 振荡模式	ESR 等效阻抗	Frequency Range 频率范围	Mode 振荡模式	ESR 等效阻抗
6. 0~11. 999MHz	基频 Fundamental	≤80Ω	30. 0~65. 0MHz	三次泛音 3rd O. T.	≤80Ω
12. 0~29. 999MHz	基频 Fundamental	≤40Ω			

● DIMENSIONS SPECIFICATIONS (外形尺寸)

● Reflow Condition(回流焊条件)



Unit: mm