



● GENERAL SPECIFICATIONS (电气参数):

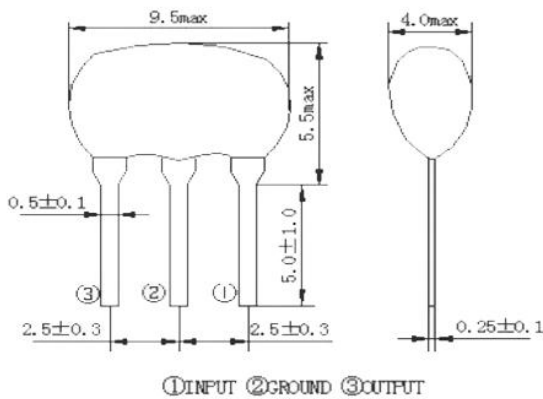
Holder type: (封装)	ZTT;ZTA
Normal Frequency: (频率范围)	1.79MHz~60MHz
Frequency Tolerance 25±3°C: (调整偏差 25±3°C)	±0.3%~0.5%
Operation Temperature Range: (工作温度)	-25°C ~ +85°C
Stability Over Temperature Range: (温度频差)	±0.3%
Aging: (老化率)	±0.3%/Year
Storage Temperature: (存储温度)	-40°C ~ +100°C
Test circuit (测试仪器)	S&A 250B / 阻抗测试仪/网络分析仪器

技術特性 TECHNICAL CHARACTERISTICS

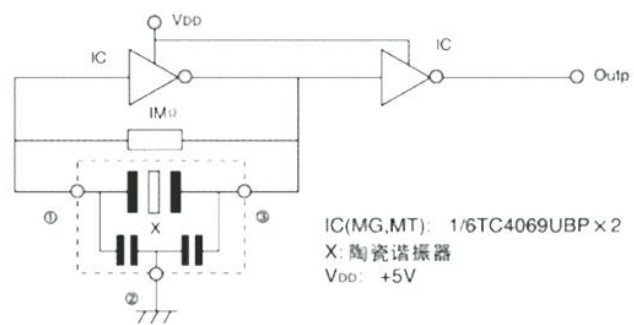
频率范围 Frequency range (MHz)	频率精度 Frequency accuracy (25°C)(%)	谐振阻抗 Resonance Resistance(Ω)	温度稳定性 Stability in Temperature (-20~+80°C)(%)	工作温度 Operating Temperature (°C)	老化率(10年) Aging For Ten Years (%)
1.79~6.00	±0.5	30	±0.3	-25~85	±0.3
6.00~8.00	±0.5	30	±0.3	-25~85	±0.3
8.00~12.00	±0.5	25	±0.3	-25~85	±0.3
12.00~60.00	±0.5	40	±0.3	-25~85	±0.3

● DIMENSIONS SPECIFICATIONS (外形尺寸)

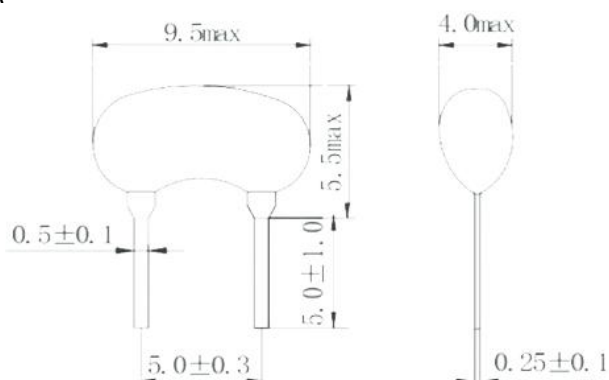
ZTT



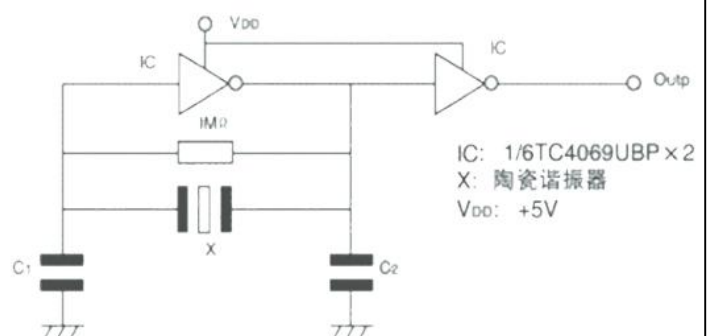
测试电路 (用于 MOS IC) TEST CIRCUIT FOR MOS IC



ZTA



测试电路 (用于 MOS IC) TEST CIRCUIT FOR MOS IC



Unit: mm