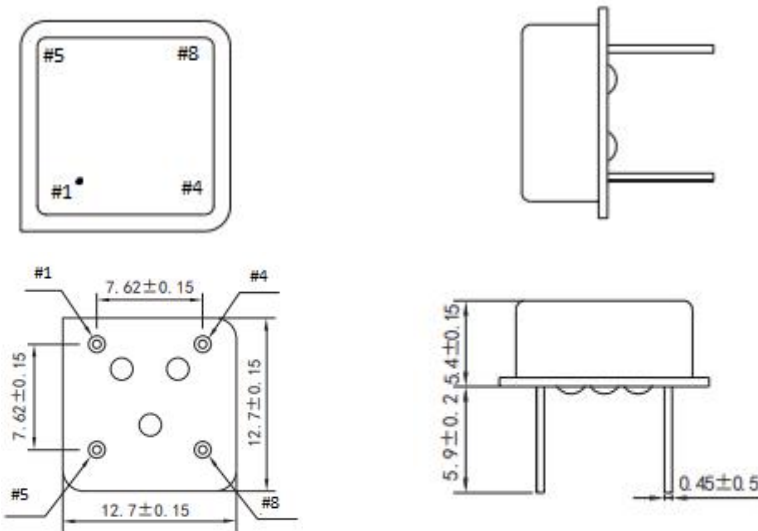


●OSC DIP-08/半尺寸 (电气参数):

Supply Voltage/工作电压	3.3V		5V
Normal Frequency/频率范围	1MHZ~180.000MHZ		
Frequency Tolerance/25±3°C/调整偏差 25±3°C	±10PPM~±20PPM		
Operation Temperature Range/工作温度	-40°C ~ +85°C		
14.Storage Temperature/存储温度	-55°C ~ +125°C		
Duty Cycle/占空比	45/55 Standard		
Voltage Vol (Max.)/Voltage Voh (Min.)	VOL+10%Vdd/VOH=90%Vdd		
Aging 25±3°C / 年化老率	±3PPM/year	Output Load/输出	15pF HCMOS or 10 TTL
Rise Time / Full Time (上升/下降时间)	≤5ns	Start Up Time 启动时间	<10ns
Supply Current Max 供给电流	1.0~30.0MHZ	20mA max	25mA max
	30.0~50.0MHZ	30mA max	35mA max
	50.0~80.0MHZ	40mA max	40mA max
	80.0~180.0MHZ	60mA max	80mA max

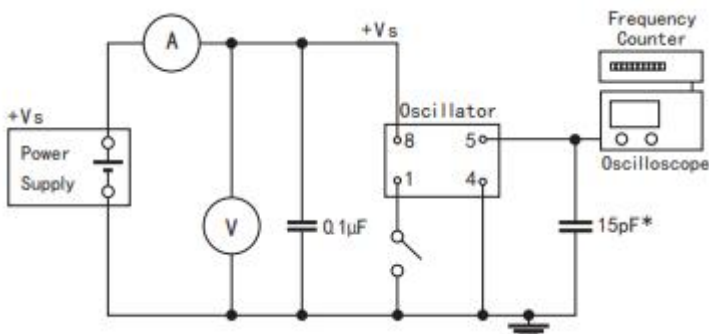
●DIMENSIONS SPECIFICATIONS (外形尺寸)



PIN	Connection
#1	E/D
#4	Not connected
#5	GND
#8	OUTPUT
#8	Vcc

Unit:mm

●Test Circuit(测试电路)



●Reflow Condition(回流焊条件)

