

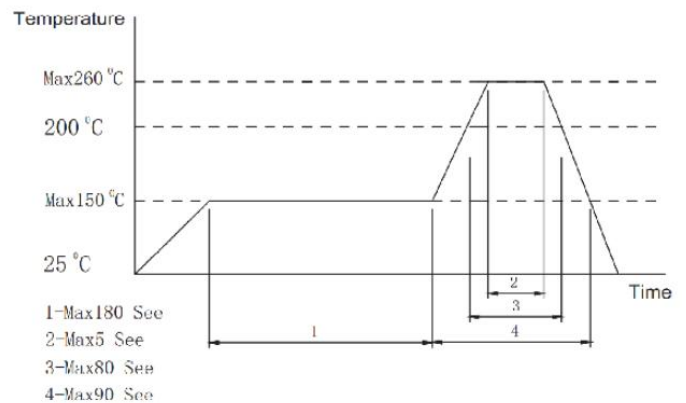
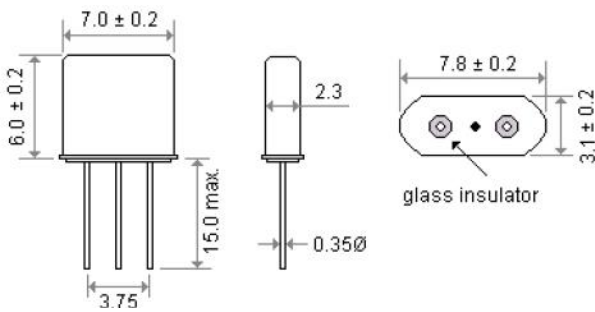


● GENERAL SPECIFICATIONS (电气参数):

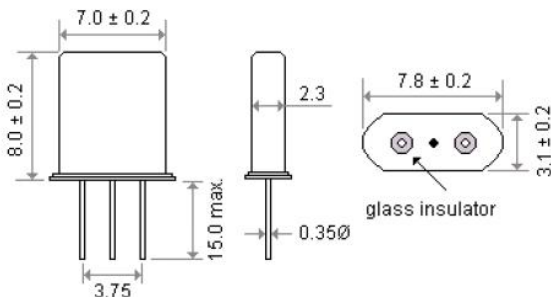
1. Holder type	UM-1,UM-5			
2.Normal Frequency	10.7MHZ,21.4MHZ,45.0MHZ			
4.Channel Spacing	AT-cut (Fundamental Mode of Oscillation)			
5.No. of poles	2 poles	4 poles	6 poles	8 poles
6.Pass Band Width	±7.5KHz@3dB	±7.5KHz@3dB	±7.5KHz@3dB	±7.5KHz@3dB
7. Stop Band Width	100 uW TYP.	±25KHz@18dB	±25KHz@40dB	±18KHz@45dB
8.Ripple	0.5dB max	1.0dB max	2.0dB max	2.0dB max
9.Insertion Loss	1.5dB max	2.5dB max	3.0dB max	4.0dB max
10.Guaranteed Attenuation	300~±1000kHz @35dB	±300~±1000kHz @65dB	25~±300kHz @65dB	±25~±300kHz @90dB
11.Terminating Impedance	1.5KΩ//2.0pF	1.5KΩ//2.0pF	1.5KΩ//2.0pF	1.5KΩ//2.0pF
12.Aging	±3 PPM/Year			
13.Operation Temperature Range	-40°C ~ +85°C			
14.Test circuit	S&A 250B / 阻抗测试仪/网络分析仪			

● DIMENSIONS SPECIFICATIONS (外形尺寸)

UM-5



UM-1



Unit: mm