

# SPR50H-C-W-40 (V0) Datasheet

(Version No. A1)



## ◆ Product characteristics

The SPR50H-C-W-40 is a multi-purpose X-ray tube housing with a radiation field of 40 degrees. The shell material is Brass, Insulation oil is used for high voltage insulation and cooling in the X-ray tube. The X-ray tube is anodically connected to high voltage and the cathode is grounded. Brass case improves heat dissipation performance and radiation shielding more effectively.

## ◆ Application

- ◆ It is widely used in the detection of the liquid height, RoHS detection, X-ray fluorescence analysis, density analysis, X-ray imaging, on-line process control and other scientific research field and industrial sectors. Mainly used for PCB industry detection, spotting counting machine, and the thickness of the coating thickness detection.

## Technical Data

### Electrical:

High Voltage Generator.....Constant Potential High-Voltage Generator  
 Grounding.....monopolar  
 Nominal X-ray Tube Voltage (IEC60613:2010).....50 kV  
 Nominal Anode Input Power.....50W  
 Focal Spot Size (EN12543).....70μm

### Mechanical:

Overall Length.....182 mm  
 Maximum Diameter.....71 mm  
 High voltage receptacle.....9.7mm +/- 0.1mm  
 Filament connector.....M8  
 HV connector.....5/8-24 UNEF

### Target:

Anode Angle.....20 degrees  
 Core Beam Angle.....40 degrees  
 Material.....tungsten

### Weight:

The weight of the product.....About 2.9kg

## Absolute Maximum and Minimum Ratings (At any time, these values must not be exceeded.)

Maximum X-ray Tube Voltage (IEC60613:2010).....50 kV  
 Maximum X-ray Tube Current (IEC60613:2010).....1.0 mA  
 Maximum Filament Current.....1.70A  
 Filament Voltage (At maximum filament current 1.70A).....2.0~2.5 V  
 Inherent Filtration.....Min. 1.5mm Al / 50kV  
 Filament Frequency Limits.....DC 0 ~ 20 kHz  
 Emission characteristics.....45KV0.8mA,If=1.63A  
 Leakage values.....<0.5μGy/h@100cm  
 .....<0.5μGy/h@5cm (GBZ115-2002)  
 Cooling Method.....Forced air @ 150 CFM

## Operating Limits

### Operating Limits:

Housing temperature.....0 ~ 55 °C

### Shipping and Storage Limits:

Temperature.....-40~ 55 °C  
 Humidity.....10 ~ 90 %  
 Atmospheric Pressure.....50 ~ 106 kPa

## Maintaining seasoning schedule

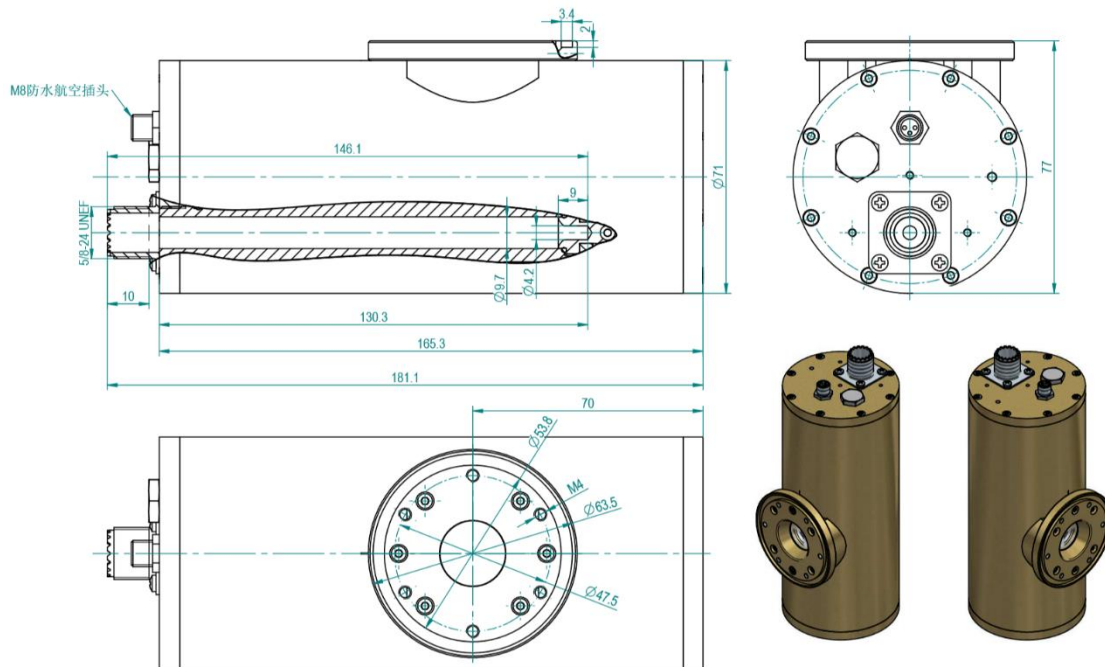
### 1. Seasoning schedule for the first used everyday

No.	Tube Voltage/kV	Tube current/mA	Time/min
1	30	0.8	10

### 2. Seasoning schedule for more than 1 week

No.	Tube Voltage/kV	Tube current/mA	Time/min
1	30	0.8	15
2	40	0.8	1
3	45	0.8	3

## Outline Drawing



## Cautions!!!

X-ray housing will emit X-ray when it is energized with high voltage, Special knowledge should be required and cautions need to be taken when handling it.

1. Only a qualified specialist with X-Ray tube knowledge should assemble, maintain and remove the tube. In transportation and handling, please be very careful not to cause X ray tube components to be subjected to strong impact and vibration.
2. Tube insert connected to H.V. supply is a radiation source: be sure to take all necessary safety cautions.
3. The X-ray housing needs good heat radiation protection and reasonable use of fans for heat radiation.
4. Tube inserts contain environment polluting materials, particularly lead liner tubes. Please apply to qualified operator for waste disposal, according to local regulation requirements.
5. When any abnormalities are found during operation, immediately switch off the power supply and contact the service engineer.
6. Because the inner diameter of the cable sleeve is 9.7mm, the diameter that the insulation layer of the power cable meets 8.8mm at least, and the cable should reach 75 kV or more. The insulating silicone grease is used to reduce the arcing.
7. Tube insert connected to H.V. supply is a radiation source, and it is produced according to state-of-the-art technology: It is strictly forbidden to dismantle it privately.

## Notes

- In the interest of complying with legal requirements concerning the environmental compatibility of our products (protection of natural resources, avoidance of waste) we endeavor to reuse components and to return them to the production cycle. We guarantee the functioning, quality and life of these components by taking extensive quality assurance measures, just as for factory-new components.
- The latest version of the instructions is issued on the official website, subject to change without notice.