

Room control unit for room automation, configurable, with multifunctional display and Modbus connection

RYMASKON® 200-Modbus
Type 232

RYMASKON® stands for a series of multifunctional room control units.

The individually configurable **RYMASKON® 200-Modbus** enables automated monitoring and control of the indoor climate and illumination in a Modbus network. It provides three digital inputs and a universal input, which allows connection of up to four external push buttons or switches. It can be configured remotely from a higher-level Modbus master and integrated into a cross-building room climate monitoring and data acquisition system. Internal sensors record room temperature, relative humidity and dew point.

Up to eight capacitive function buttons on the front panel of the compact unit can be used for on-site operation and configuration. A buzzer sounds to acknowledge button use and can also be used as an acoustic fault or alarm warning.

The dimmable multifunctional display is designed specifically for room operation and uses intuitive symbols for a clear view of all available spatial data. Besides the time, date and climate parameters (temperature, humidity, dew point, CO₂ content), it can also display additional features, such as fan mode or room occupancy. The back light colour can be adapted to the room design.



TECHNICAL DATA

Power supply:	24 V DC (± 10%)
Power consumption:	max. 0.8 W
Inputs:	3 digital inputs (for standard push buttons or switches) 1 universal input (can be configured for connecting NTC10K temperature sensors or as additional digital input for the connection of standard push buttons or switches)
Bus interface:	RS485 Modbus RTU slave (57600, 38400, 19200, 9600 Baud), bus termination can be set via DIP switch, configurable speed 1200-115200 bit/s (typically 57600 bit/s), adjustable transfer mode (typically "8E1", 1 start bit, 8 data bits, even parity, 1 stop bit)
Equipment:	1 NFC (Near Field Communication) 1 infra-red receiver (NEC protocol) 1 buzzer
Operating elements:	1 backlit multifunctional display (individually programmable RGB colour selection) 4 / 6 / 8 touch buttons, type-dependent

TEMPERATURE

Sensor:	CMOS temperature sensor
Measuring Range:	-40...+125 °C, resolution: 0.1 °C
Accuracy:	typically ±0.5 °C (at +5...+60 °C)

HUMIDITY

Sensor:	capacitive humidity sensor
Measuring Range:	0...100 % RH, resolution: 0.1 % RH
Accuracy:	typically ±2 % RH (at +25 °C, 20...80 % RH) typically ±3 % RH (at +25 °C, 0...20 % RH or 80...100 % RH)

Electrical connection:	0.2 - 1.5 mm ² , via plug-in screw terminals
Housing:	plastic, black or white colour
Dimensions:	approx. 94.5 x 110 x 19.5 mm
Mounting:	using a plastic mounting plate (see dimensional drawing), on in-wall flush box, Ø 55 mm
Ambient temperature:	0...+50 °C (operation)
Permitted humidity:	0...90 % RH (without dew formation)
Protection type:	IP 30 (according to EN 60 529)
Standards:	CE conformity, electromagnetic compatibility according to EN 50491, EMC directive 2014 / 30 / EU

CONTROL

Type 210:	Temperature up/down, Room occupancy, Menu
Type 220:	Temperature up/down, Fan speed up/down, Room occupancy, Menu
Type 230:	Temperature up/down, Fan speed up/down, Light on/off, Room occupancy, Menu
Type 240:	Temperature up/down, Sun protection up/down, Light on/off, Room occupancy, Menu
Type 250:	Temperature up/down, Fan speed up/down, Sun protection up/down, Room occupancy, Menu
Type 260:	Temperature up/down, Fan speed up/down, Sun protection up/down, Light, Menu

ACCESSORIES

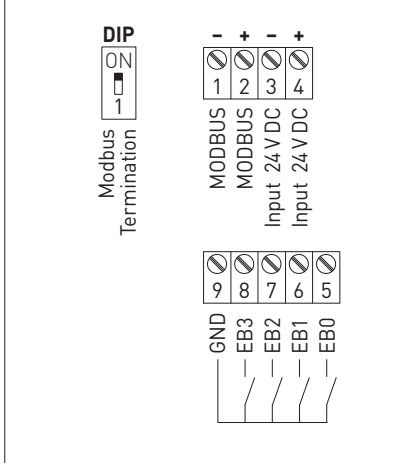
see table

Display symbols **RYMASKON® 200-Modbus**



DIP Switch	RYMASKON® 200-Modbus
RS 485 bus termination	DIP 1
activated (default)	ON
deactivated	OFF

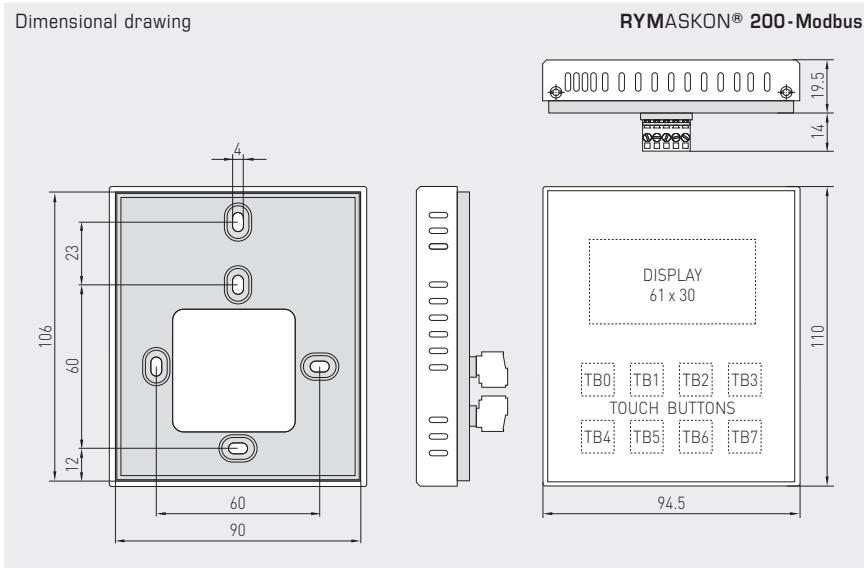
Connecting diagram **RYMASKON® 200-Modbus**





S+S REGELTECHNIK

Room control unit for room automation, configurable, with multifunctional display and Modbus connection



RYMASKON® 200-Modbus
Type 231



RYMASKON® 200-Modbus Room control unit for room automation							
Type / WG02	Communication	Buttons	Control	Colour	Display	Item No.	Price
RYMASKON® 210-Modbus							
RYMASKON 211	RS485, NFC, NEC	4	T - - - R M	black	■	1901-5111-3011-001	335,88 €
RYMASKON 212	RS485, NFC, NEC	4	T - - - R M	white	■	1901-5111-3012-001	347,73 €
RYMASKON® 220-Modbus							
RYMASKON 221	RS485, NFC, NEC	6	T V - - R M	black	■	1901-5111-3011-002	335,88 €
RYMASKON 222	RS485, NFC, NEC	6	T V - - R M	white	■	1901-5111-3012-002	347,73 €
RYMASKON® 230-Modbus							
RYMASKON 231	RS485, NFC, NEC	8	T V - L R M	black	■	1901-5111-3011-003	335,88 €
RYMASKON 232	RS485, NFC, NEC	8	T V - L R M	white	■	1901-5111-3012-003	347,73 €
RYMASKON® 240-Modbus							
RYMASKON 241	RS485, NFC, NEC	8	T - S L R M	black	■	1901-5111-3011-004	335,88 €
RYMASKON 242	RS485, NFC, NEC	8	T - S L R M	white	■	1901-5111-3012-004	347,73 €
RYMASKON® 250-Modbus							
RYMASKON 251	RS485, NFC, NEC	8	T V S - R M	black	■	1901-5111-3011-005	335,88 €
RYMASKON 252	RS485, NFC, NEC	8	T V S - R M	white	■	1901-5111-3012-005	347,73 €
RYMASKON® 260-Modbus							
RYMASKON 261	RS485, NFC, NEC	8	T V S L - M	black	■	1901-5111-3011-006	335,88 €
RYMASKON 262	RS485, NFC, NEC	8	T V S L - M	white	■	1901-5111-3012-006	347,73 €
Control:	T = Temperature	V = Ventilation	R = Room occupancy				
	S = Sun protection	L = Light	M = Menu				
ACCESSORIES							
KA2-Modbus	Communication adapter (USB/RS485) for system connection					1906-1200-0000-100	213,99 €
LA-Modbus	Line termination device (with terminating resistor) as an active bus termination					1906-1300-0000-100	79,81 €