

**Multifunctional on-wall sensors and measuring transducers,
 for humidity, temperature, CO2 content and air quality (VOC),
 calibratable, with active/switching output**

Maintenance-free on-wall sensor **AERASGARD® ATM - CO2 - SD** with active output, automatic calibration, in an impact-resistant plastic housing with quick-locking screws, for determining the CO2 content of the air (0...2000 ppm/0...5000 ppm) and the temperature (-35...+80 °C). The measuring transducer converts the measured values into a standard signal of 0-10V.

Maintenance-free on-wall sensor **AERASGARD® AFTM - LQ - CO2 - W** with active/switching output, automatic calibration, in an impact-resistant plastic housing with quick-locking screws, optionally with/without Display, for determining the CO2 content of the air (0...2000 ppm/0...5000 ppm), the quality (0...100 % VOC), the temperature (-35...+80 °C) as well as the relative air humidity (0...100 % RH). The measuring transducer converts the measured values into a standard signal of 0-10V or 4...20mA (switchable).

The sensor is used in offices, hotels, convention centres, apartments, shops, etc. for the purpose of evaluating the indoor climate. This enables energy-saving room ventilation on an as-needed basis, thereby reducing operating costs and improving well-being. One sensor for every 30m² of room area is recommended.

A long-term stable, **digital humidity and temperature sensor** guarantees exact measurement results. The CO2 measurement is performed using an optical **NDIR sensor** (non-dispersive infra-red technology). The detection range is calibrated for standard applications such as monitoring residential rooms and conference rooms. The air quality is detected by a **VOC sensor** (mixed gas sensor for volatile organic substances). This sensor determines the loading of the room air due to contaminated gases such as cigarette smoke, body perspiration, exhaled breathing air, solvent vapours, emissions, etc. With regard to the expected air contamination, low, medium or high VOC sensitivity can be selected. As an alternative, use IAQ categories (from excellent to unhealthy) following the guidelines of the German Federal Environmental Agency to assess the room air.

For more information, see the start of the chapter.

TECHNICAL DATA

Voltage supply:	24 V AC / DC (± 10 %)
Power consumption:	< 4.8 W / 24V DC typical; < 6.8 VA / 24 V AC typical; peak current 200 mA
Outputs:	Axx-SD 0-10V (fixed) Axx-W 0-10V or 4...20mA, working resistance < 800 Ω (selectable via DIP switches, selected variant applies for all outputs), with offset potentiometer (± 10 % of the measuring range)
Relay output:	Axx-SD without changeover contact Axx-W with potential-free changeover contact (24 V / 1 A)

HUMIDITY

Sensors:	digital humidity sensor with integrated temperature sensor , low hysteresis, high long-term stability
Sensor protection:	plastic sinter filter, Ø 16 mm, L = 35 mm, exchangeable (optional metal sinter filter, Ø 16 mm, L = 32 mm)
Measuring range, humidity:	0...100 % RH
Operating range, humidity:	0...95 % RH (without dew formation)
Deviation of humidity:	typically ± 2.0 % (20...80 % RH) at +25 °C, otherwise ± 3.0 %
Output, humidity:	0-10 V or 4...20 mA (selectable via DIP switches)

TEMPERATURE

Measuring range, temperature:	-35...+80 °C
Operating range, temperature:	-10...+60 °C
Temperature deviation:	typically ± 0.4 K at 25 °C
Output, temperature:	Axx-SD 0-10V (fixed) Axx-W 0-10V or 4...20mA (selectable via DIP switches)

AIR QUALITY (VOC)

Sensor, VOC:	VOC sensor (metal oxide) (VOC = volatile organic compounds), with manual calibration (using zero button) and automatic calibration (permanently active)
Measuring range, VOC:	0...100 % air quality; referred to calibrating gas; multi-range switching (selectable via DIP switches) VOC sensitivities (low/medium/high) or IAQ category (Indoor Air Quality)
Output, VOC:	0-10 V (0V = clean air, 10 V = polluted air) or 4...20mA (selectable via DIP switches, switchpoint can be adjusted from 0...100 % of the output signal)
Measuring accuracy, VOC:	typically ± 20 % of final value (referred to calibrating gas)
Service life:	> 60 months (under normal load conditions) depending on the type of loading and gas concentration

CARBON DIOXIDE (CO2)

Sensor, CO2:	optical NDIR sensor (non-dispersive infra-red technology), with manual calibration (via zero button), Axx-SD with automatic calibration (fixed) Axx-W with automatic calibration (can be deactivated via DIP switches)
Measuring range, CO2:	0...2000 ppm or 0...5000 ppm (selectable via DIP switches)
Output, CO2:	Axx-SD 0-10V (fixed) Axx-W 0-10V or 4...20mA (selectable via DIP switches)
Measuring accuracy, CO2:	typically ± 30 ppm ± 3 % of measured value
Temperature dependence, CO2:	± 5 ppm / °C or ± 0.5 % of measured value / °C

continued on next page!



S+S REGELTECHNIK

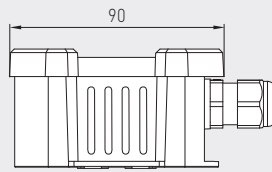
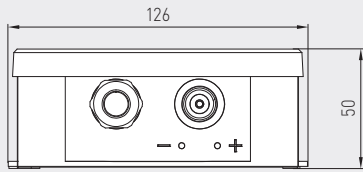
AERASGARD® ACO₂-W / ALQ-CO₂-W AERASGARD® AFTM-(LQ)-CO₂-W / ATM-CO₂-SD

Multifunctional on-wall sensors and measuring transducers,
for humidity, temperature, CO₂ content and air quality (VOC),
calibratable, with active/switching output

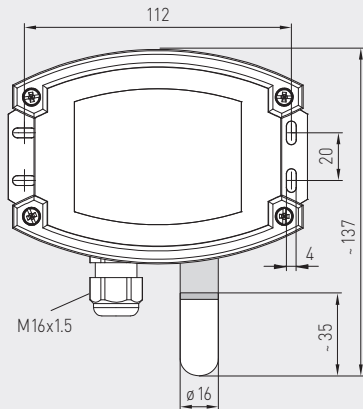


Dimensional drawing

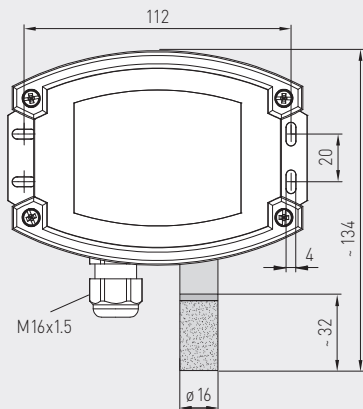
AFTM-LQ-CO₂-W



M12 connector
(optional on request)



SF-K
plastic sinter filter
(standard)



SF-M
metal sinter filter
(optional)



AFTM-LQ-CO₂-W
with plastic sinter filter
(standard)



AFTM-LQ-CO₂-W
with display and
plastic sinter filter
(standard)

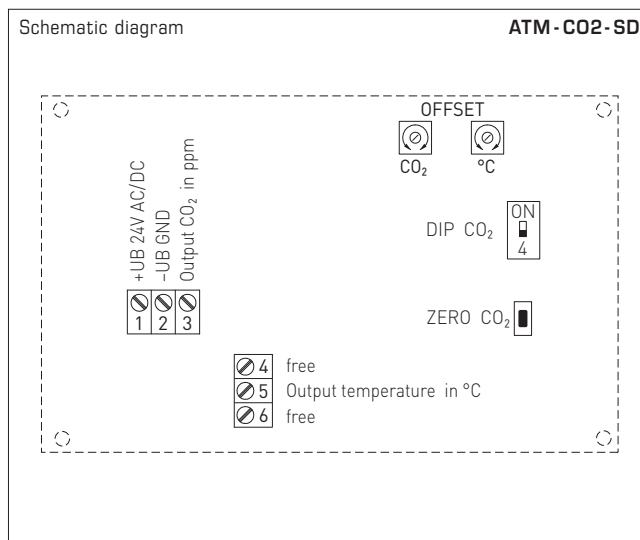
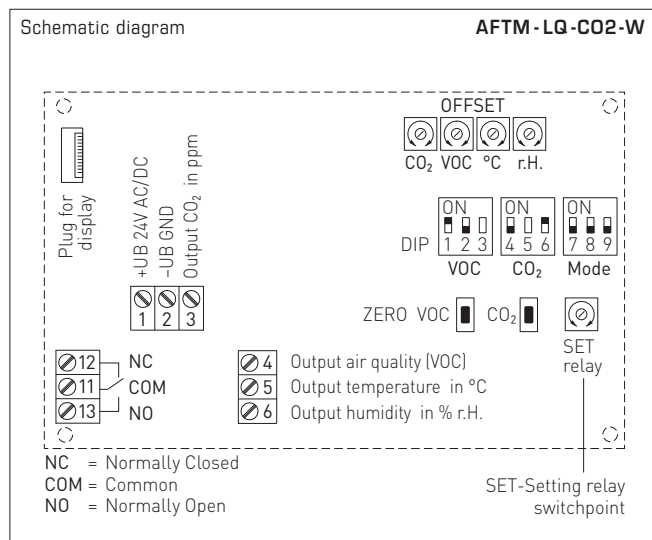


TECHNICAL DATA

(continued)

Pressure dependence:	± 0.13 % / mm Hg
Long-term stability:	< 2% in 15 years
Gas exchange:	by diffusion
Ambient temperature:	-10...+60 °C
Response time:	< 2 minutes
Electrical connection:	0.14 - 1.5 mm ² , via screw terminals
Housing:	plastic, UV-resistant, material polyamide, 30 % glass-globe reinforced, with quick-locking screws (slotted / Phillips head combination), colour traffic white (similar to RAL 9016), housing cover for display is transparent!
Housing dimensions:	126 x 90 x 50 mm (Tyr 2)
Cable connection:	cable gland , plastic (M 16 x 1.5; with strain relief, exchangeable, max. inner diameter 10.4 mm) or M12 connector according to DIN EN 61076-2-101 (optional on request)
Protective tube:	stainless steel V2A (1.4301), Ø 16 mm, NL = 55 mm
Process connection:	by screws
Protection class:	III (according to EN 60 730)
Protection type:	IP 65 (according to EN 60 529)
Standards:	CE conformity, electromagnetic compatibility according to EN 61 326, EMC Directive 2014/30/EU
Optional:	three-line display with illumination , cutout approx. 70 x 40 mm (W x H), for displaying actual humidity, actual temperature, air quality and/or the actual CO ₂ content

Multifunctional on-wall sensors and measuring transducers,
 for humidity, temperature, CO2 content and air quality (VOC),
 calibratable, with active/switching output



DIP switches	AFTM - LQ - CO2 - W	
VOC sensitivity	DIP 1	DIP 2
LOW	OFF	OFF
MEDIUM (default)	ON	OFF
HIGH	OFF	ON
IAQ (Indoor Air Quality)	ON	ON
CO2 content	DIP 4	
0...2000 ppm (default)	OFF	
0...5000 ppm	ON	
CO2 automatic zero point	DIP 6	
deactivated	OFF	
activated (default)	ON	
Relay assignment	DIP 7	DIP 8
CO2 (default): 600...1900 ppm / 900...4700 ppm	OFF	OFF
VOC: 10...95%	ON	OFF
Temperature: -23...+74 °C	OFF	ON
Humidity: 10...95% RH	ON	ON
Output	DIP 9	
Voltage 0-10V (default)	OFF	
Current 4...20mA	ON	
Note: DIP 3 and DIP 5 are not assigned!		

DIP switches	ATM - CO2 - SD	
CO2 content	DIP 4	
0...2000 ppm (default)	OFF	
0...5000 ppm	ON	

Level	IAQ (Indoor Air Quality)	VOC
1	excellent no action required	0...19%
2	good prompt airing recommended	20...39%
3	moderate airing recommended	40...59%
4	poor increased airing required	60...79%
5	unhealthy intense airing necessary	80...100%

Table according to TVOC guidelines of the German Federal Environmental Agency to assess indoor air contamination
 (Bundesgesundheitsbl - Gesundheitsforsch - Gesundheitsschutz 2007, 50: 990-1005)



S+S REGELTECHNIK

AERASGARD® ACO₂-W / ALQ-CO₂-W
 AERASGARD® AFTM-(LQ)-CO₂-W / ATM-CO₂-SD

Multifunctional on-wall sensors and measuring transducers,
 for humidity, temperature, CO₂ content and air quality (VOC),
 calibratable, with active/switching output

AFTM-LQ-CO₂-W
 with display



Humidity table

MR: 0...100% RH

% RH	U _A [V]	I _A [mA]
0	0	4.0
5	0.5	4.8
10	1.0	5.6
15	1.5	6.4
20	2.0	7.2
25	2.5	8.0
30	3.0	8.8
35	3.5	9.6
40	4.0	10.4
45	4.5	11.2
50	5.0	12.0
55	5.5	12.8

Continued at the right ...

% RH	U _A [V]	I _A [mA]
60	6.0	13.6
65	6.5	14.4
70	7.0	15.2
75	7.5	16.0
80	8.0	16.8
85	8.5	17.6
90	9.0	18.4
95	9.5	19.2
100	10.0	20.0

Temperature table

MR: -35...+80 °C

°C	U _A [V]	I _A [mA]
-35	0.0	4.0
-30	0.4	4.7
-25	0.9	5.4
-20	1.3	6.1
-15	1.7	6.8
-10	2.2	7.5
-5	2.6	8.2
0	3.0	8.9
+5	3.5	9.6
+10	3.9	10.3
+15	4.3	11.0
+20	4.8	11.7

Continued at the right ...

°C	U _A [V]	I _A [mA]
+25	5.2	12.3
+30	5.7	13.0
+35	6.1	13.7
+40	6.5	14.4
+45	7.0	15.1
+50	7.4	15.8
+55	7.8	16.5
+60	8.3	17.2
+65	8.7	17.9
+70	9.1	18.6
+75	9.6	19.3
+80	10.0	20.0



AERASGARD® AC02-W / ALQ-CO2-W
AERASGARD® AFTM-(LQ)-CO2-W / ATM-CO2-SD

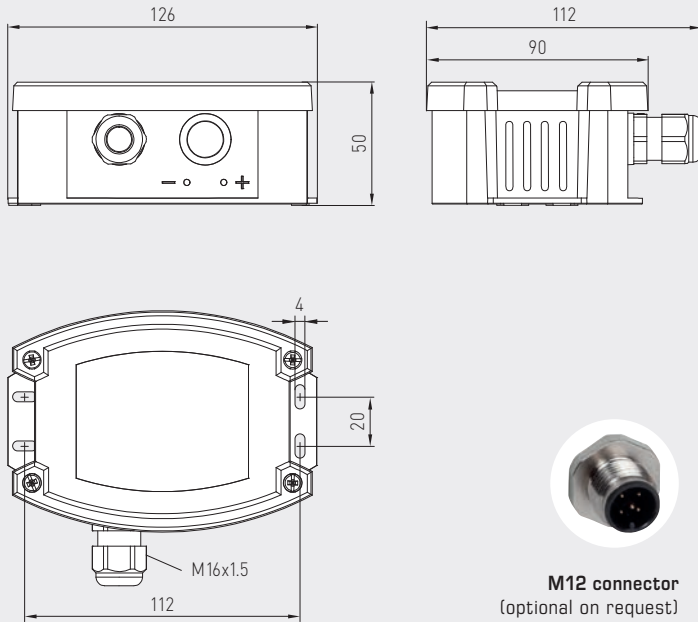


S+S REGELTECHNIK

Multifunctional on-wall sensors and measuring transducers,
 for humidity, temperature, CO2 content and air quality (VOC),
 calibratable, with active/switching output

Dimensional drawing

AC02-W
 ALQ-CO2-W

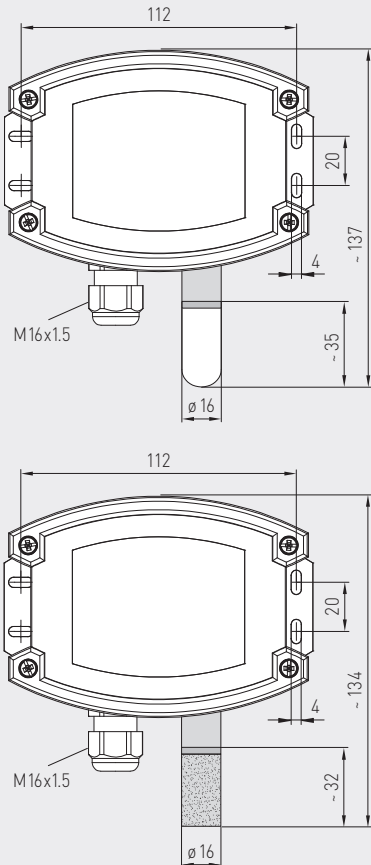


AC02-W
 ALQ-CO2-W



Dimensional drawing

AFTM-CO2-W
 AFTM-LQ-CO2-W
 ATM-CO2-SD



AFTM-CO2-W
 AFTM-LQ-CO2-W
 ATM-CO2-SD
 with metal sinter filter
 (optional)





S+S REGELTECHNIK

AERASGARD® ACO2-W / ALQ-CO2-W AERASGARD® AFTM-(LQ)-CO2-W / ATM-CO2-SD

Multifunctional on-wall sensors and measuring transducers,
for humidity, temperature, CO2 content and air quality (VOC),
calibratable, with active/switching output



WS-03

Weather and sun protection hood
(optional)



AFTM-CO2-W AFTM-LQ-CO2-W ATM-CO2-SD

with plastic sinter filter
(standard)



AERASGARD® ATM-CO2-SD	On-wall temperature and CO2 sensor, <i>Standard</i>
AERASGARD® ACO2-W	On-wall CO2 sensor, <i>Premium</i>
AERASGARD® ALQ-CO2-W	On-wall air quality (VOC) and CO2 sensor, <i>Premium</i>
AERASGARD® AFTM-CO2-W	Multifunctional on-wall sensor for humidity, temperature and CO2 content, <i>Deluxe</i>
AERASGARD® AFTM-LQ-CO2-W	Multifunctional on-wall sensor for humidity, temperature, CO2 content and air quality (VOC), <i>Deluxe</i>

Typ/WG02	Measuring Range				Equipment Display	Item No. (Baldur 2)	Price
	Humidity	Temperature	CO2	VOC			
ATM-CO2-SD			(switchable)				
ATM-CO2-SD-U	-	-35...+80 °C	0...2000 / 5000 ppm	-	-	1501-7112-1001-200	311,63 €
ACO2-W			(switchable)				
ACO2-W (without display)	-	-	0...2000 / 5000 ppm	-	W	see ACO2-W / ACO2-SD	
ACO2-W LCD	-	-	0...2000 / 5000 ppm	-	W ■	1501-7110-7371-200	411,45 €
ALQ-CO2-W			(switchable)				
ALQ-CO2-W	-	-	0...2000 / 5000 ppm	0...100 %	W	1501-7111-7301-500	468,46 €
ALQ-CO2-W LCD	-	-	0...2000 / 5000 ppm	0...100 %	W ■	1501-7111-7371-500	528,87 €
AFTM-CO2-W			(switchable)				
AFTM-CO2-W	0...100 % RH	-35...+80 °C	0...2000 / 5000 ppm	-	W	1501-7116-7301-200	449,91 €
AFTM-CO2-W LCD	0...100 % RH	-35...+80 °C	0...2000 / 5000 ppm	-	W ■	1501-7116-7371-200	539,89 €
AFTM-LQ-CO2-W			(switchable)				
AFTM-LQ-CO2-W	0...100 % RH	-35...+80 °C	0...2000 / 5000 ppm	0...100 %	W	1501-7118-7301-500	589,18 €
AFTM-LQ-CO2-W LCD	0...100 % RH	-35...+80 °C	0...2000 / 5000 ppm	0...100 %	W ■	1501-7118-7371-500	705,26 €
Outputs:	0-10V or 4...20 mA (selectable via DIP switches, selected variant applies for all outputs) – Standard on-wall sensor ATM-CO2-SD with fixed output 0-10V!						
Equipment:	W = changeover contact – Standard on-wall sensor ATM-CO2-SD without changeover contact!						
Optional:	Cable connection with M12 connector according to DIN EN 61076-2-101 (on request)						
Note:	This unit must not be used as safety-relevant device!						
ACCESSORIES							
SF-M	Metal sinter filter , Ø 16 mm, L = 32 mm, exchangeable stainless steel V4A (1.4404)					7000-0050-2200-100	42,33 €
WS-03	Weather and sun protection hood , 200 x 180 x 150 mm, stainless steel V2A (1.4301)					7100-0040-6000-000	44,74 €

For further information see last chapter!