

**Outdoor motion sensor and light sensor, multisensors with active and switching output**

The room motion and light sensor and presence detector **KINASGARD® ABWF / LF** is a combined instrument that detects motions and light intensity as well as the presence of persons and is used to recognize conditions. ABWF / LF issues a standard signal of 0-10V or 4...20mA for light intensity and has a switching (changeover contact) output for the detection of motions.

The motion sensor / presence detector detects the presence of persons and motions. It is used to monitor and recognise conditions and for motion-dependent control of room functions, e.g. as a motion detector to lower temperatures in unused rooms. The motion sensor is used in corridors, in outdoor areas, in industrial halls, in offices, residential rooms and business facilities.

The light intensity sensor / twilight sensor with six switchable measuring ranges (six devices in one) measures the luminous intensity and is used to control luminaries, lighting systems, Venetian blinds and canvas blinds, etc., to monitor lighting conditions at workplaces, in greenhouses, storage halls, workshops, corridors, in outdoor areas, in industrial halls, in offices as well as in residential and business facilities, for daylight-dependant constant light control, as light intensity or twilight sensor and to control sunshade equipment avoiding unnecessary heating-up of rooms.

**TECHNICAL DATA**

Power supply: 24V AC (±20%); 15...36V DC for U variant  
15...36V DC for I variant, depending on working resistance, residual ripple stabilised ±0.3V

Working resistance:  $R_a \text{ (ohm)} = (U_b - 14 \text{ V}) / 0.02 \text{ A}$  for I variant

Load resistance:  $R_L > 5 \text{ kOhm}$  for U variant

Power consumption: < 1 W at 24 V DC; < 2 VA at 24 V AC

Sensor: infra-red motion sensor and light sensor (see beginning of this chapter)

Output, motion sensor: without / with motion + presence, potential-free normally open contact (24V), 1 A ohmic load

After-running time: adjustable from 4 s to 16 min

Measuring ranges: **multi-range switching** (via DIP switches)  
**0...500 Lux / 1 kLux / 2 kLux / 5 kLux / 20 kLux / 60 kLux**  
(other individual ranges optional, e. g. 100 kLux)

Output: 0-10 V (linearised, active, 3-wire connection) or 4...20 mA

Deviation, light sensor: typically < 5 % of final value

Ambient temperature: -10...+50 °C

Electrical connection: 0.14 - 1.5 mm<sup>2</sup>, via terminal screws

Housing: plastic, UV-resistant, material polyamide, 30 % glass-globe reinforced, with quick-locking screws (slotted / Phillips head combination), colour traffic white (similar to RAL 9016)

Housing dimensions: 72 x 64 x 37.8 mm (Tyr 1)

Cable connection: **cable gland**, plastic (M 16 x 1.5; with strain relief, exchangeable, inner diameter 10.4 mm) **or** **M12 connector** according to DIN EN 61076-2-101 (optional on request)

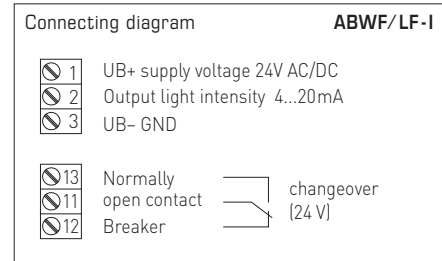
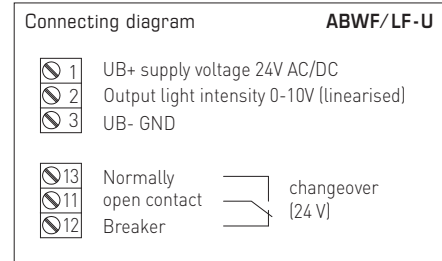
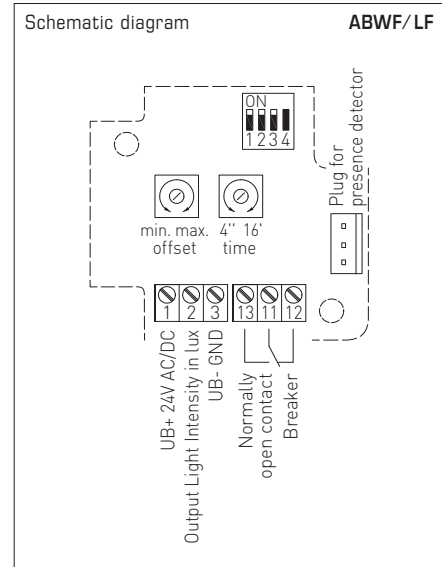
Installation: on-wall

Protection class: III (according to EN 60 730)

Protection type: **IP65** (according to EN 60 529) housing tested, TÜV SÜD, report no. 713139052 (Tyr 1)

Standards: CE conformity, electromagnetic compatibility according to EN 61 326, EMC directive 2014 / 30 / EU

Measuring ranges (selectable)	DIP 1	DIP 2	DIP 3	DIP 4
0...500 Lux	OFF	OFF	OFF	-
0... 1 kLux	<b>ON</b>	OFF	OFF	-
0... 2 kLux	OFF	<b>ON</b>	OFF	-
0... 5 kLux	<b>ON</b>	<b>ON</b>	OFF	-
0... <b>20 kLux</b> (default)	OFF	OFF	<b>ON</b>	-
0... 60 kLux	<b>ON</b>	OFF	<b>ON</b>	-

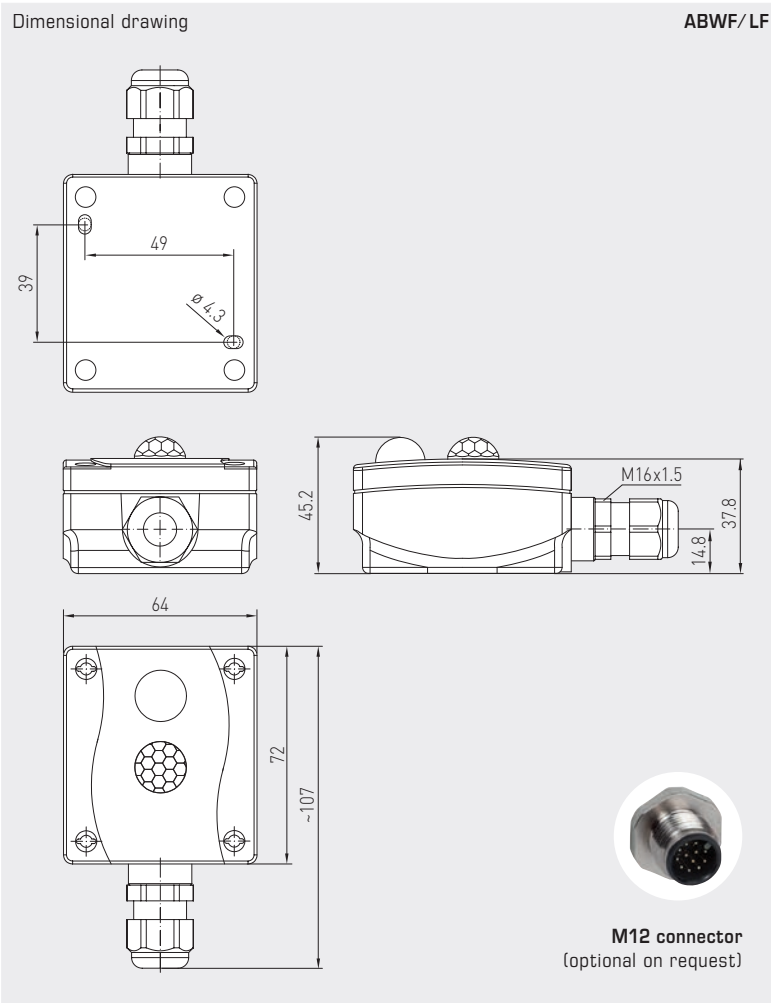




S+S REGELTECHNIK

KINASGARD® ABWF/LF

Outdoor motion sensor and light sensor, multisensors with active and switching output



ABWF/LF



KINASGARD® ABWF/LF Outdoor motion sensor and light sensor				
Type / WG01	Detection, Measuring Range	Output	Item No.	Price
<b>ABWF-LF-U</b>				
1. Presence + Motion	Yes / No (relay on / off)	Changeover contact	1401-1111-2100-000	<b>175,35 €</b>
2. Light Intensity	0...500 Lux / 1 / 2 / 5 / 20 / 60 kLux	0 - 10V (linearised)		
<b>ABWF-LF-I</b>				
1. Presence + Motion	Yes / No (relay on / off)	Changeover contact	1401-1111-3200-000	<b>175,35 €</b>
2. Light Intensity	0...500 Lux / 1 / 2 / 5 / 20 / 60 kLux	4...20mA (linearised)		
Extra charge:	Other individual measuring ranges optional, e. g. 100 kLux		on request	
Optional:	Cable connection with <b>M12 connector</b> according to DIN EN 61076-2-101		on request	

