

**On-wall hygrostats and humidity sensors ($\pm 2.0\%$),
electronic, one-step,
with switching outputs**

Electronic hygrostat and humidity sensor **HYGRASREG® AH-40** with one switching output, adjustable switching threshold and display for displaying ACTUAL humidity (accuracy class $\pm 2.0\%$ RH) and for setting the target humidity.

It is suitable for controlling and monitoring the relative air humidity, e.g. in laboratories, production rooms, climatic exposure test cabinets, swimming pools, greenhouses etc., for controlling humidifying and dehumidifying facilities. The measuring transducers are designed for exact detection of humidity. The AH-40 uses a digital, long-term stable sensor as a measuring element for measuring humidity. It is used in dust-free, unpolluted, non-aggressive air.

AH-40
with display and
metal sinter filter
(optional)



TECHNICAL DATA

| | |
|------------------------|--|
| Power supply: | 24 V AC ($\pm 20\%$) 15...36 V DC |
| Power consumption: | < 1.1 VA / 24 V DC < 2.2 VA / 24 V AC |
| Sensors: | digital humidity sensor , small hysteresis, high long-term stability |
| Sensor protection: | plastic sinter filter, \varnothing 16 mm, L = 35 mm, exchangeable (optional metal sinter filter, \varnothing 16 mm, L = 32 mm) |
| Setting range: | 5...95% RH |
| Output: | potential-free changeover contact (24 V), 1 A ohmic load |
| Deviation, humidity: | typically $\pm 2.0\%$ (20...80% RH) at +25 °C, otherwise $\pm 3.0\%$ |
| Ambient temperature: | storage -35...+85 °C; operation -30...+75 °C, non-precipitating |
| Long-term stability: | $\pm 1\%$ per year |
| Housing: | plastic, UV-resistant, material polyamide, 30% glass-globe reinforced, with quick-locking screws (slotted/Phillips head combination), colour traffic white (similar to RAL 9016), housing cover for display is transparent! |
| Housing dimensions: | 72 x 64 x 43.3 mm (Tyr 1 with display) |
| Electrical connection: | 0.14 - 1.5 mm ² , via terminal screws |
| Cable connection: | cable gland , plastic (M 16 x 1.5; with strain relief, exchangeable, max. inner diameter 10.4 mm) or M12 connector according to DIN EN 61076-2-101 (optional on request) |
| Protective tube: | stainless steel V2A (1.4301), \varnothing 16 mm, NL = 55 mm |
| Prozessanschluss: | by screws |
| Protection class: | III (according to EN 60 730) |
| Protection type: | IP65 (according to EN 60 529) Housing tested, TÜV SÜD, Report No. 713139052 (Tyr 1) |
| Standards: | CE conformity, electromagnetic compatibility according to EN 61 326, EMC directive 2014/30/EU |
| Display: | two-line display with illumination , cutout approx. 36x15 mm (W x H), for displaying actual humidity and for setting the target humidity |
| Displaying: | The 1 st line of the display shows the relative humidity . The 2 nd line shows on the left side the information regarding the switching status of the relay (as a circuit), as well as the switching value readout in % RH on the right side (adjustable using the set potentiometer). ○ Circuit, empty = relay in idle state ● Circuit, full = relay energised |
| FUNCTION | actual humidity < switching value contact 11-12 closed (LED OFF) actual humidity > switching value contact 11-13 closed (LED ON) |

Display standard AH-40

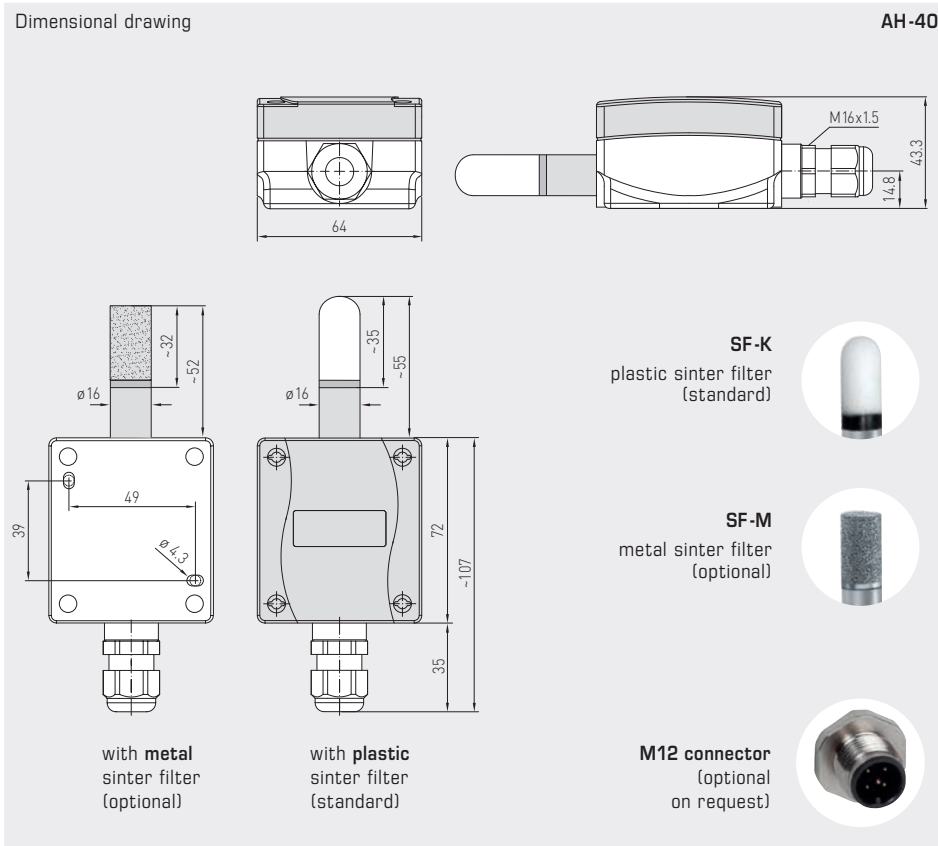




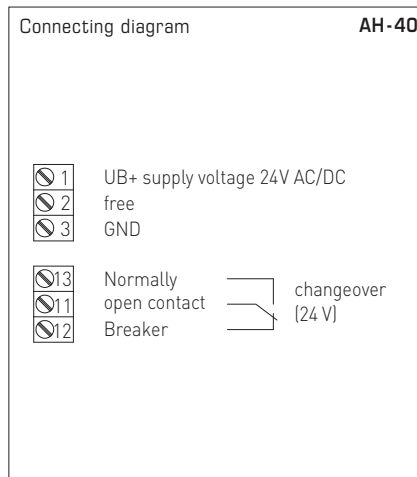
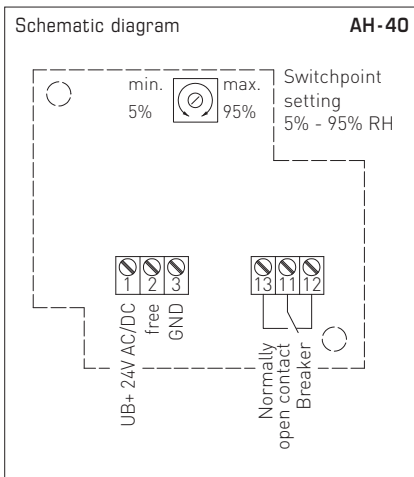
S+S REGELTECHNIK

HYGRASREG® AH-40

On-wall hygrometers and humidity sensors ($\pm 2.0\%$),
electronic, one-step,
with switching outputs



AH-40
with display and plastic sinter filter (standard)



| HYGRASREG® AH-40 On-wall hygrometers and humidity sensors ($\pm 2.0\%$), Premium | | | | | | |
|--|---|------------------------|----------|---------|--------------------|----------|
| Type / WG01 | Setting Range Humidity | Output | Steps | Display | Item No. | Price |
| AH-40-U | | | | | | |
| AH-40W LCD | 5...95% RH | 1 x Changeover contact | one-step | ■ | 1202-1065-0221-000 | 181,41 € |
| Optional: | Cable connection with M12 connector according to DIN EN 61076-2-101 | | | | on request | |
| ACCESSORIES | | | | | | |
| SF-M | Metal sinter filter , \varnothing 16 mm, L = 32 mm, exchangeable stainless steel V4A (1.4404) | | | | 7000-0050-2200-100 | 42,33 € |