

Surface contact temperature controllers, including tension spring

Mechanical temperature controllers / contact thermostats **THERMASREG® ALTR** with switching output (two-position controller) for monitoring, controlling and limitation of temperatures at pipes or vessels, e.g. in connection with hot-water or floor heating systems. The contact temperature controller ALTR is built as one-step device, as adjustable temperature controller **TR** (with external setting) or as adjustable temperature monitor **TW** (with internal setting).



ALTR 060 / 090



ALTR 060 / 090 U

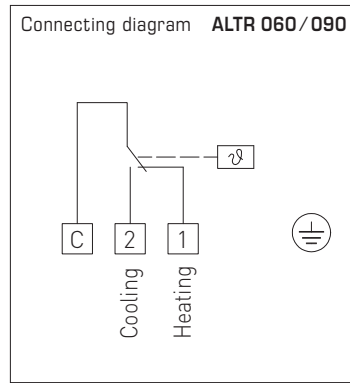
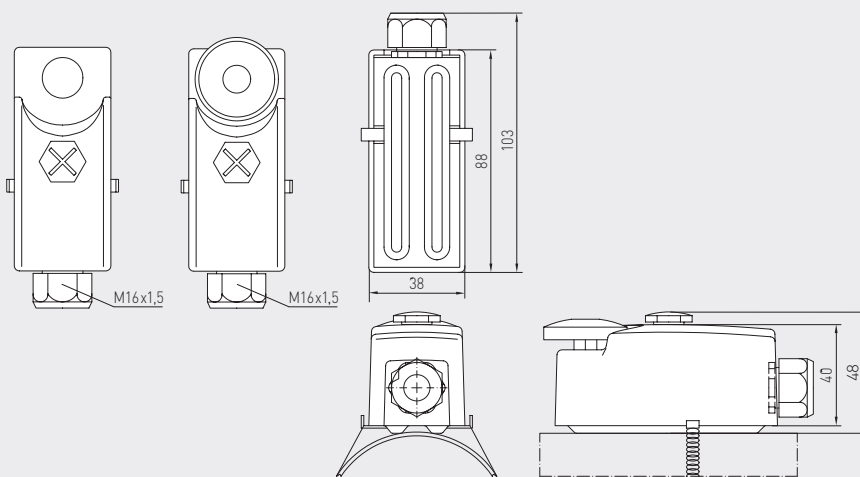
TECHNICAL DATA

Switching capacity: (Contact load)	16 (4) A; 24...250 V AC at 24 V AC min. 150 mA
Max. sensor temperature:	+110 °C
Contact:	dust-proof switch block unit as potential-free single-pole changeover contact
Housing:	ABS (acrylonitrile butadiene styrene), fibre-glass reinforced, base: steel, galvanised, top: grey, M 16 x 1.5
Housing temperature:	-35...+65 °C
Tolerance:	T _{min} ± 5 K; T _{max} ± 5 K
Sensor element:	bi-metal
Housing dimensions:	38 x 48 x 103 mm
Process connection:	by metal tension spring, 220 mm long (included in the scope of delivery)
Electrical connection:	0.14 - 1.5 mm ² via terminal screws
Protection class:	I (according to EN 60 730)
Protection type:	IP 40 (according to EN 60 529)
Standards:	CE conformity, EMC directive 2014 / 30 / EU, low-voltage directive 2014 / 35 / EU

FUNCTION **Heating:** wire contacts C - 1
 Cooling: wire contacts C - 2

Dimensional drawing

ALTR 060 / 090



THERMASREG® ALTR 060 / 090 Surface contact temperature controllers

Type / WG01	Temperature Range	Thermal Operating Difference (fixed) approx.	Max. Capillary Temperature	Item No.	Price
ALTR 060 / 090					TR (External setting)
ALTR-060	0...+60 °C	8 K (± 1 K)	+110 °C	1102-1040-1100-300	31,84 €
ALTR-090	0...+90 °C	8 K (± 1 K)	+110 °C	1102-1040-1100-400	31,84 €
ALTR 060 / 090 U					TW (Internal setting)
ALTR-060 U	0...+60 °C	8 K (± 1 K)	+110 °C	1102-1040-2100-300	31,84 €
ALTR-090 U	0...+90 °C	8 K (± 1 K)	+110 °C	1102-1040-2100-400	31,84 €