

Room temperature controllers, continuous, on-wall, general

Electronic room temperature controllers, climate controllers **THERMASREG® RTR-S** for monitoring or controlling temperatures with output 0 - 10V for heating and cooling, optional as continuous climate controller with manual ventilator speed regulation, setpoint adjustment, and LED status indicators. Application in dry individual rooms heated or cooled by radiators, cooling ceilings, or ventilation, or air conditioning systems, or as remote control unit for air conditioners, e.g. in hotels, offices, or hospitals or as room thermostat.

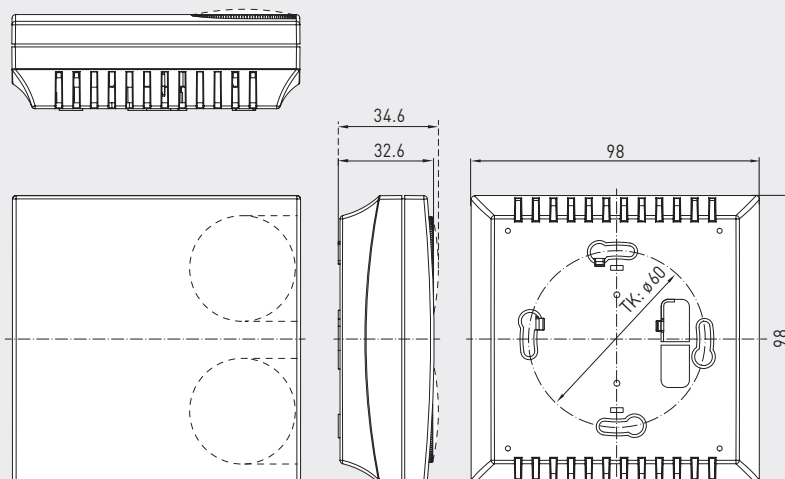
TECHNICAL DATA

Power supply:	24 V AC / DC (± 10 %)
Temperature sensor:	internal or external (selectable via jumper) Pt 1000 according to DIN EN 60751, class B
Control range:	+5...+30 °C, adjustable via setpoint potentiometer with numerical scale or +21 °C (± 8 K), adjustable via setpoint potentiometer with swelling arrow (central position / + / -)
Output:	1 x heating, 1 x cooling, 0 - 10 V or 10 - 0 V repluggable, max. 5 mA
Proportional band:	internally adjustable via potentiometer heating +0.5...+3 K (1 K factory setting) cooling +0.5...+3 K (2 K factory setting)
Neutral zone:	internally adjustable via potentiometer, +1...+5 K (1K factory setting)
Control mode:	PI
Housing:	plastic, material ABS, colour pure white (similar to RAL 9010)
Dimensions:	98 x 98 x 33 mm (Baldur 2)
Installation:	wall mounting or on in-wall flush box Ø 55 mm, base with 4-hole for mounting on vertically or horizontally installed in-wall flush boxes for cable entry from the back, with predetermined breaking point for on-wall cable entry from top/bottom in case of plain on-wall installation
Electrical connection:	0.14 - 2.5 mm ² via terminal screws
Humidity:	max. 90 % RH, non-precipitating air
Protection class:	III (according to EN 60 730)
Protection type:	IP 30 (according to EN 60 529)
Standards:	CE conformity, electromagnetic compatibility according to EN 61 326, EMC directive 2014 / 30 / EU

Dimensional drawing

Housing **Baldur 2**

(one or two potentiometers possible)





S+S REGELTECHNIK

THERMASREG® RTR-Sxx

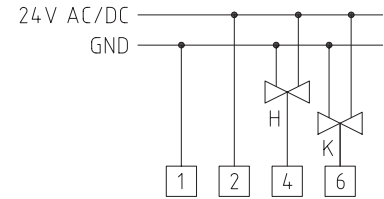
Room temperature controllers, continuous, on-wall, different versions



RTR-S010
(Baldur 2)

Continuous room temperature controller for 2-channel single room control

Connecting diagram **RTR-S010**



THERMASREG® RTR-S010 Room temperature controller

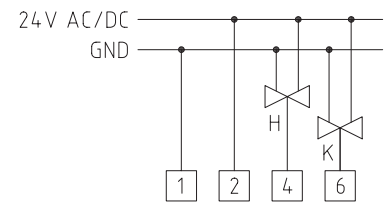
Type / WG01	Sensor internal / external	Output Heating	Output Cooling	Item No.	Price
RTR-S010				External setting	
RTR-S 010	Pt1000	0 - 10 V	0 - 10 V	1102-40B0-1000-000	181,10 €
Features:	+5...+30 °C, via setpoint device, numerical scale				



RTR-S011
(Baldur 2)

Continuous room temperature controller for 2-channel single room control

Connecting diagram **RTR-S011**



THERMASREG® RTR-S011 Room temperature controller

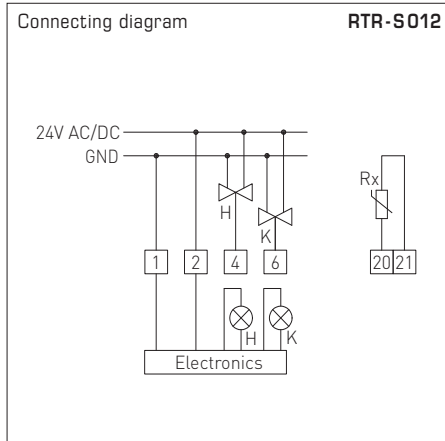
Type / WG01	Sensor internal / external	Output Heating	Output Cooling	Item No.	Price
RTR-S011				External setting	
RTR-S 011	Pt1000	0 - 10 V	0 - 10 V	1102-40B0-1100-000	181,10 €
Features:	+21 °C (± 8 K), via setpoint device, swelling arrow (central position / + / -)				

Room temperature controllers, continuous, on-wall, different versions



RTR-S 012
(Baldur 2)

Continuous room temperature controller for 2-channel single room control, with LED operating mode indicator



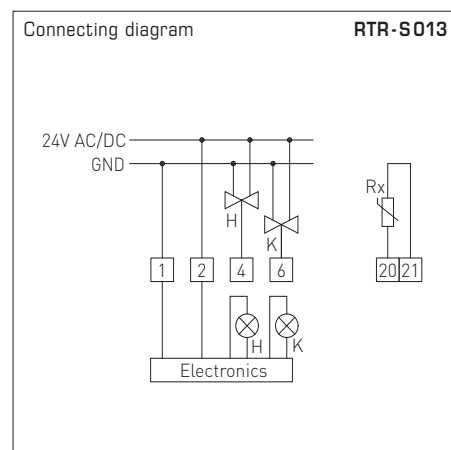
THERMASREG® RTR-S 012 Room temperature controller

Type/WG01	Sensor internal/external	Output Heating	Output Cooling	Item No.	Price
RTR-S 012				External setting	
RTR-S 012	Pt1000	0 - 10V	0 - 10V	1102-4080-1200-000	188,80 €
Features:		+5...+30 °C, via setpoint device, numerical scale, LED red: operating mode heating, LED blue: operating mode cooling			



RTR-S 013
(Baldur 2)

Continuous room temperature controller for 2-channel single room control, with LED operating mode indicator



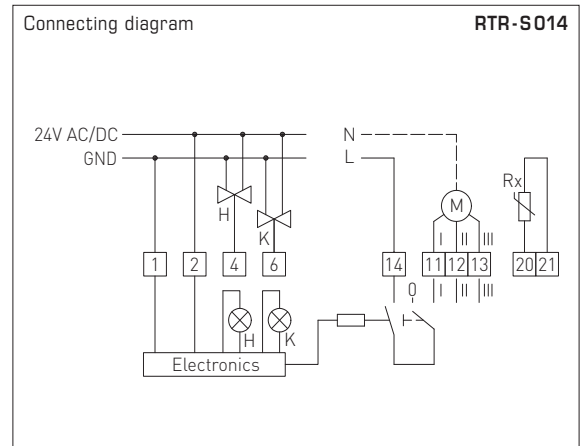
THERMASREG® RTR-S 013 Room temperature controller

Type/WG01	Sensor internal/external	Output Heating	Output Cooling	Item No.	Price
RTR-S 013				External setting	
RTR-S 013	Pt1000	0 - 10V	0 - 10V	1102-4080-1300-000	188,80 €
Features:		+21 °C (±8K) via setpoint device, swelling arrow (central position / + / -), LED red: operating mode heating, LED blue: operating mode cooling			



RTR-S014
(BalduR2)

Continuous room temperature controller for 2-channel single room control with LED operating mode indicator and 3-speed selector switch for ventilators



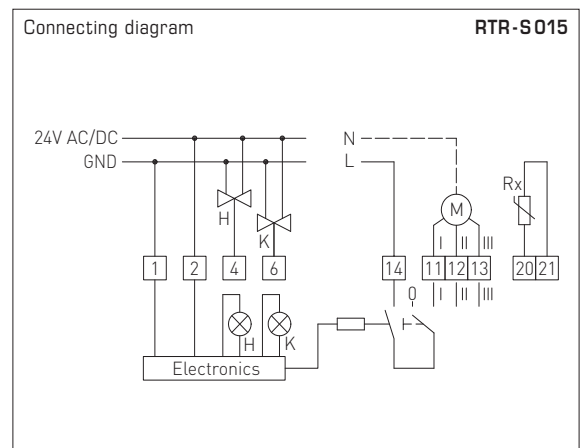
THERMASREG® RTR-S014 Room temperature controller

Type / WG01	Sensor internal/external	Output Heating	Output Cooling	Item No.	Price
RTR-S014				External setting	
RTR-S 014	Pt1000	0 - 10V	0 - 10V	1102-40B0-1400-000	196,51 €
Features: +5...+30 °C, via setpoint device, numerical scale, internal / external sensor selectable LED red: operating mode heating, LED blue: operating mode cooling, 4-step turn switch for ventilator speed (0 / I / II / III)					



RTR-S015
(BalduR2)

Continuous room temperature controller for 2-channel single room control with LED operating mode indicator and 3-speed selector switch for ventilators



THERMASREG® RTR-S015 Room temperature controller

Type / WG01	Sensor internal/external	Output Heating	Output Cooling	Item No.	Price
RTR-S015				External setting	
RTR-S 015	Pt1000	0 - 10V	0 - 10V	1102-40B0-1500-000	196,51 €
Features: +21 °C (±8K) via setpoint device, swelling arrow (central position / + / -), LED red: operating mode heating, LED blue: operating mode cooling, 4-step turn switch for ventilator speed (0 / I / II / III)					