

Radio transmitter,
pushbutton interface with 4 channels,
in-wall

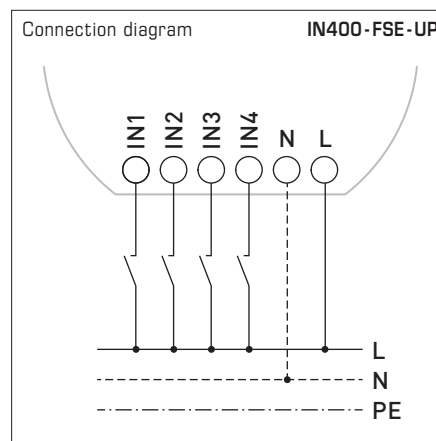
The pushbutton interface **KYMASGARD® IN400-FSE-UP** is a device with four channels for in-wall or on-wall installation and is used for detecting up to four 230 V AC switching/sensor contacts. A corresponding radio telegram is sent every time the status of the 230 V AC switching/sensor contact changes.

IN400 - FSE - UP



TECHNICAL DATA

Radio technology:	EnOcean protocol, modulation ASK, 868 MHz, transmission power max. 10 mW, telegram type RPS-Type 2
Rated voltage:	110 - 240 V, 50 / 60 Hz
Fusing:	10 A
Operating elements:	2 buttons ("LRN"/"CLR") 2 LEDs ("LRN"/"CLR") 1 rotary switch with 16 positions
Channels:	4 channels, each with 2 statuses
Standby consumption:	0.4 W
Inputs:	100 V - 230 V AC inputs
Behaviour:	like a transmitter with PTM 200 (wall-mounted transmitter)
Range of coverage:	indoors typically 30 - 100 m, outdoors up to 300 m
Connection:	4 mm ² , via terminal screws
Housing:	Plastic, material ABS, Ø 51 mm, height 25 mm
Mounting:	In-wall, on-wall
Ambient temperature:	-20...+40 °C (in operation)
Storage temperature:	-40...+85 °C
Permitted humidity:	5...90% r.H., non-precipitating air
Protection type:	IP 20 (according to EN 60 529)
Standards:	CE conformity, EN 090-2-2, EN 60669-2-1, ROHS conformity according to directive 2011 / 65 / EU



KYMASGARD® IN400 - FSE - UP Pushbutton interface

Type / WG02	Channels	Installation	Item no.	Price
IN400-FSE-UP				
IN400-FSE-UP	4	In-wall	1801-7444-0100-300	147,94 €
Compatibility	For an overview, see the start of the chapter			