

**In-ceiling temperature sensors
with passive output**

THERMASGARD® DTF is a small in-ceiling resistance thermometer with passive output for in-wall installation, e.g. in plasterboard walls or suspended ceilings. The in-ceiling temperature sensor DTF is preferably installed in ceilings and walls, blends in seamlessly with the overall architectural design and detects the temperature at the surface. The connecting head is pluggable for quick, easy mounting.

DTF

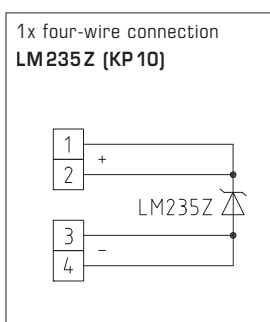
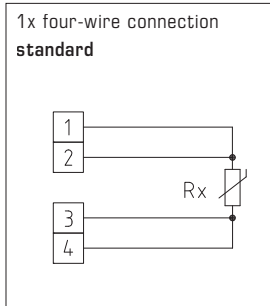
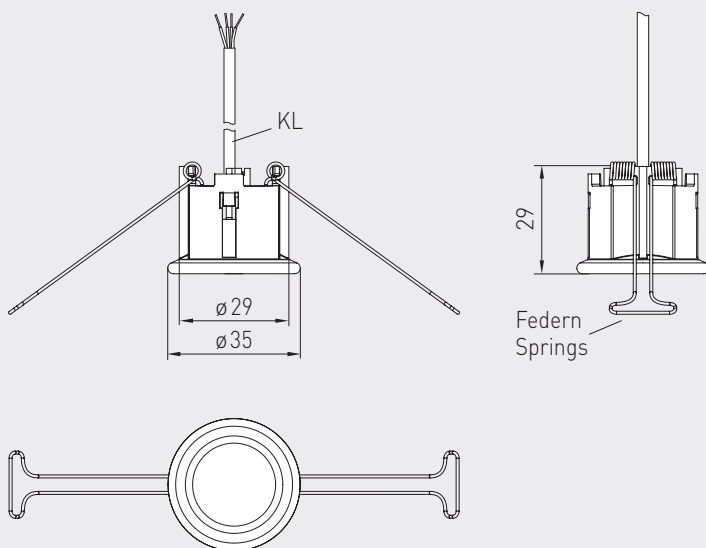
Connecting head,
pluggable



TECHNICAL DATA

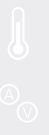
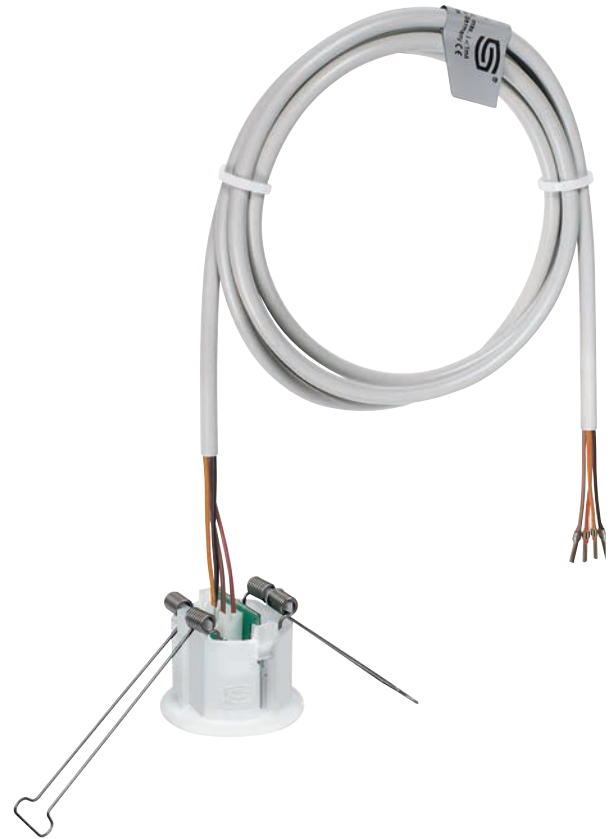
| | |
|------------------------|--|
| Measuring range: | -20...+90 °C |
| Sensors / output: | see table, passive |
| Connection type: | 4-wire connection terminal 1 / 2: + (marked red, wire colours: yellow, brown) terminal 3 / 4: - (marked black, wire colours: white, green) |
| Testing current: | < 0.6 mA (Pt1000) < 1.0 mA (Pt100) < 0.3 mA (Ni1000, Ni1000 TK5000) < 2.0 mW (NTC xx) 400 µA...5 mA (LM235Z) |
| Connecting head: | plastic, material polycarbonate (PC), colour white (can be painted as an option), pluggable |
| Connecting cable: | PVC, LiYY, 4 x 0.14 mm ² , KL = approx. 2 m |
| Process connection: | inside suspended ceiling, ceiling cutout Ø = 30 mm, cover Ø = < 35 mm |
| Insulating resistance: | ≥ 100 MΩ, at +20 °C (500V DC) |
| Humidity: | < 95 % RH, non-precipitating air |
| Protection class: | III (according to EN 60 730) |
| Protection type: | IP 30 (according EN 60529) Sensor in the built-in state |

Dimensional drawing **DTF**





DTF



| THERMASGARD® DTF | | In-ceiling temperature sensors | |
|------------------|---|--------------------------------|----------------|
| Type / WG03 | Sensor / Output | Item No. | Price |
| DTF | | IP30 | |
| DTF Pt100 | Pt100 (according to DIN EN 60 751, class B) | 1101-60C0-1003-000 | 40,74 € |
| DTF Pt1000 | Pt1000 (according to DIN EN 60 751, class B) | 1101-60C0-5003-000 | 40,74 € |
| DTF Ni1000 | Ni1000 (according to DIN EN 43760, class B, TCR = 6180 ppm/K) | 1101-60C0-9003-000 | 40,48 € |
| DTF NiTK | Ni1000 TK5000 (TCR = 5000 ppm/K), LG-Ni1000 | 1101-60C1-0003-000 | 44,45 € |
| DTF LM235Z | LM235Z (TCR = 10 mV/K; 2.73 V at 0 °C), KP10 | 1101-60C2-1003-000 | 41,69 € |
| DTF NTC1,8K | NTC 1.8K | 1101-60C1-2003-000 | 41,69 € |
| DTF NTC10K | NTC 10K | 1101-60C1-5003-000 | 41,69 € |
| DTF NTC20K | NTC 20K | 1101-60C1-6003-000 | 41,69 € |
| Note: | Other sensors optional | on request | |