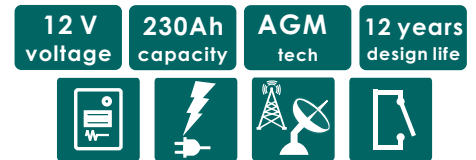


DURATION SERIES VRLA BATTERY

By combining a newly developed corrosion resistance alloy and advanced curing process, we created a range of long life batteries - DB series. The series features top termination and offers 12 years design life. This battery series is highly suited to UPS systems, switchgear, CATV and telecommunication systems applications.



TECHNICAL SPECIFICATIONS

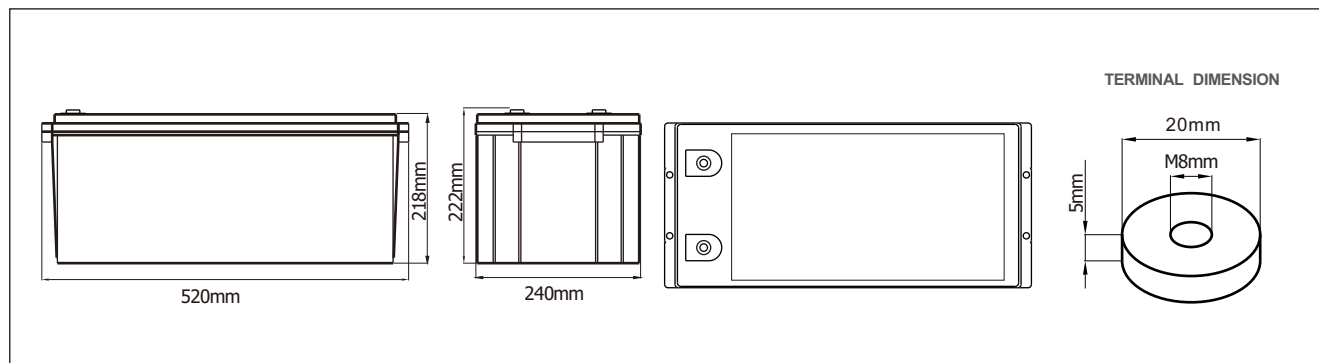
Nominal Voltage (V)	12 (6 cells per unit)
Designed Floating Life (20°C)	12 Years
Nominal Capacity (25°C)	230 Ah @ 10HR-rate (to 1.80Vpc)
Dimension (mm)	L520mm x W240mm x H222mm
Approx. Weight	65.3 kg (144 lbs)
Terminal Type	Female Copper Insert M8 (torque:10~12N.m)
Internal Resistance	Approx. 0.0028 Ohm (fully charged @ 25°C)
Max. Charge Current	57.5 A
Max. Discharge Current (5S)	1000 A
Short Circuit Current	4300 A
Self Discharge	Approx. 2.5% per month @ 20°C
Ambient Temperature	Discharge: -20~60°C Charge: -20~60°C Storage: -20~45°C
Float Charge Voltage	13.6V @25°C (-3mV/ cell/ °C)
Equalize Charge Voltage	14.1V @25°C
Container Material	ABS (UL94-V0 optional)



Complied standards

- IEC 60896-21/22
- GB/T 19638
- JIS C8704
- BS6290 part 4
- UL1989

BATTERY DIMENSIONS

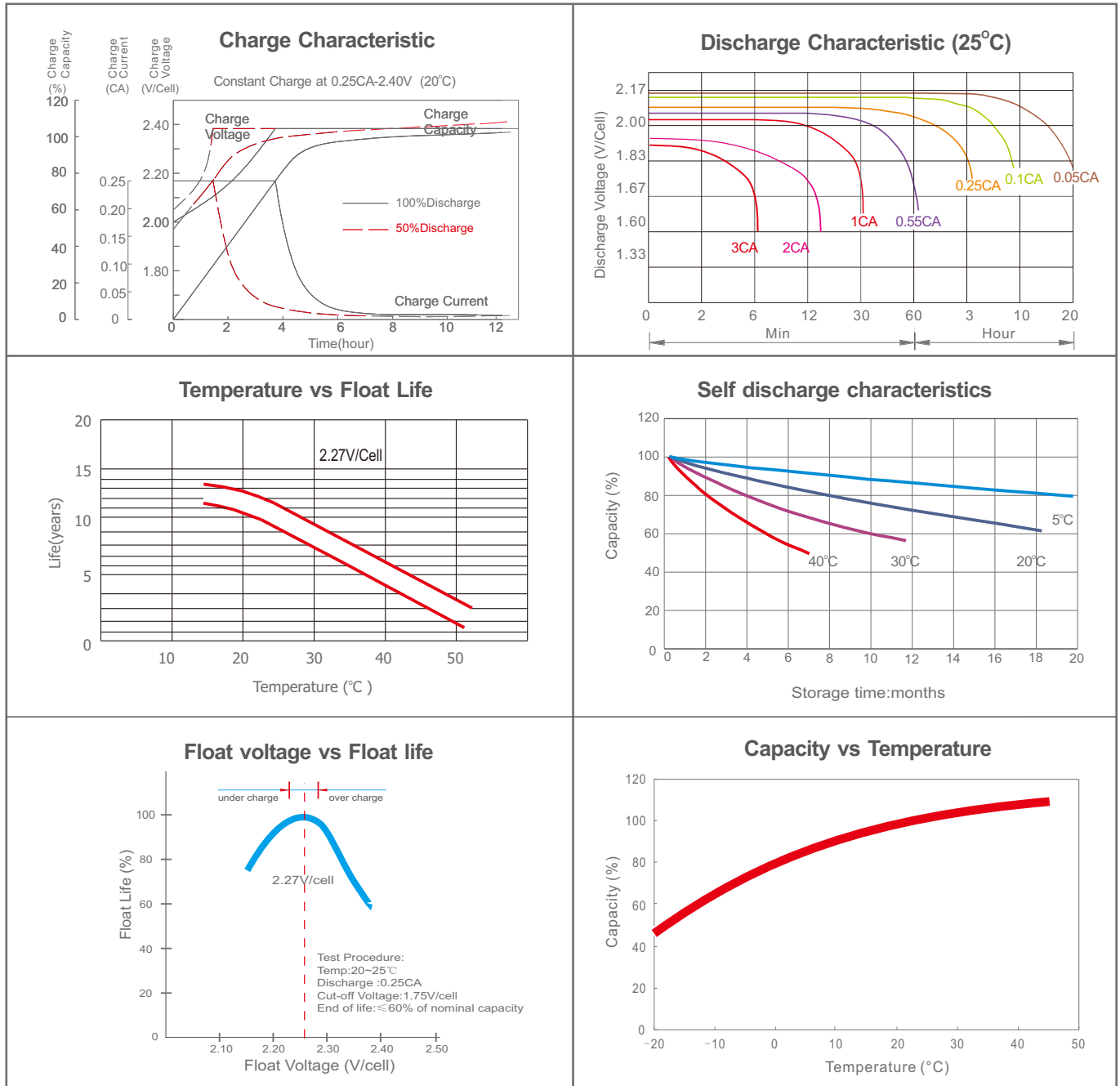


BATTERY DISCHARGE TABLE

Constant Current Discharge Characteristics: Amps (25°C)														
F.V/Time	5min	10min	15min	30min	45min	1h	1.5h	2h	3h	4h	5h	8h	10h	20h
1.60V	603	459	392	254	187	154	111	90.3	65.2	52.0	43.3	29.6	24.4	13.1
1.67V	538	423	369	243	181	150	109	88.7	64.4	51.3	42.7	29.2	24.1	12.8
1.70V	480	385	349	234	175	146	107	87.5	63.6	50.8	42.4	28.8	23.8	12.5
1.75V	417	357	324	225	171	143	105	86.0	62.6	50.2	41.8	28.4	23.5	12.3
1.80V	369	325	302	215	164	139	102	84.2	61.4	49.0	40.8	27.7	23.0	12.1
1.85V	316	293	275	203	156	133	98.2	80.9	59.4	47.6	39.8	27.1	22.4	11.8

Constant Power Discharge Characteristics: W/cell (25°C)														
F.V/Time	5min	10min	15min	30min	45min	1h	1.5h	2h	3h	4h	5h	8h	10h	20h
1.60V	1062	826	714	469	348	287	209	170	124	98.5	82.4	56.8	47.1	25.5
1.67V	960	769	678	451	338	281	205	168	123	97.8	82.0	56.4	46.8	25.1
1.70V	867	706	646	437	330	276	203	167	122	97.5	81.7	56.1	46.5	24.7
1.75V	763	663	607	426	324	273	201	165	121	97.3	81.4	55.8	46.2	24.4
1.80V	684	610	571	411	314	266	198	163	120	95.8	80.1	54.9	45.7	24.1
1.85V	595	556	526	391	302	257	191	158	117	93.9	78.8	54.1	44.8	23.7

CHARACTERISTICS



FINAL VOLTAGE SETTINGS RECOMMENDED ACCORDING TO THE DISCHARGE CURRENT

Discharge Current I (A)	$I \leq 0.08C$	$0.08C \leq I < 0.2C$	$0.2C \leq I < 0.6C$	$0.6C \leq I < 1.0C$	$I \geq 1.0C$
Final of Voltage	$\geq 1.85V_{pc}$	$\geq 1.80V_{pc}$	$\geq 1.75V_{pc}$	$\geq 1.70V_{pc}$	$\geq 1.60V_{pc}$

Aeson Power

18/40 Ricketts Road, Mount Waverley

Tel: +61 3 9545 5993

Website: www.aesonpower.com.au

Email: info@aesopower.com.au

