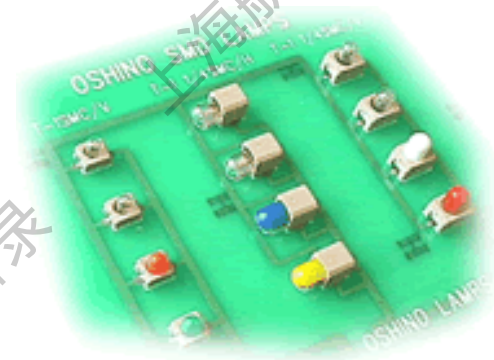


OSHINO LAMPS LIMITED



上海航途工贸有限公司

联系人：张焕德

手机：13611922329, 18818116768

Email: wandy0408@aliyun.com, wandy0408@126.com

General Information

OL-330BP

14V 80mA .50MSCd 1,500 hrs.

.446 efficacy 2300 Kelvin

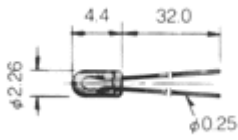
OL-382BP

14V 80mA .30MSCd 15,000 hrs.

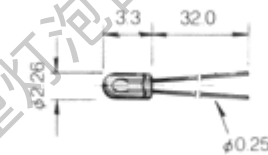
.268 efficacy 2100 Kelvin

WIRE TERMINAL LAMP

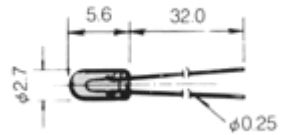
T-3/4 Wire Terminal



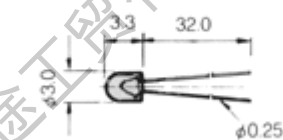
T-3/4 Short Wire Terminal



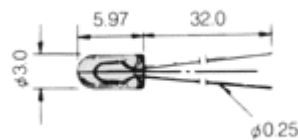
T-7/8 Wire Terminal



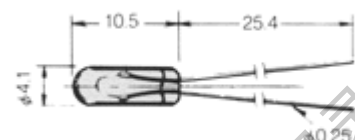
T-1 Short Wire Terminal



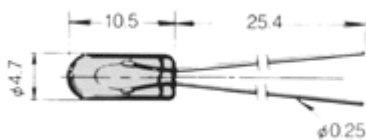
T-1 Wire Terminal



T-1 1/4 Wire Terminal

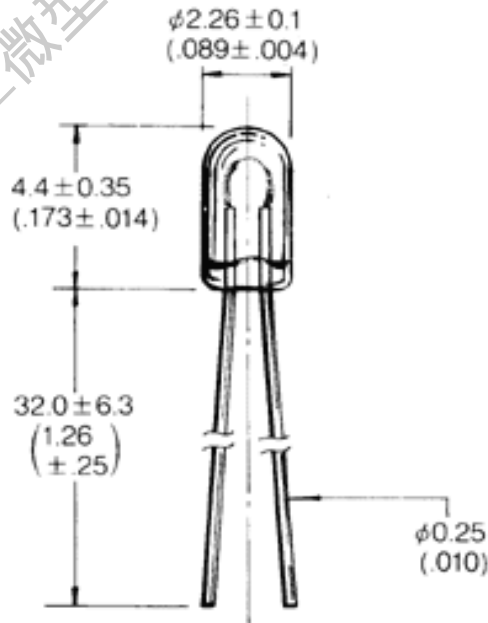


T-1 3/4 Wire Terminal



T-3/4 Wire Terminal Standard Bulb Length

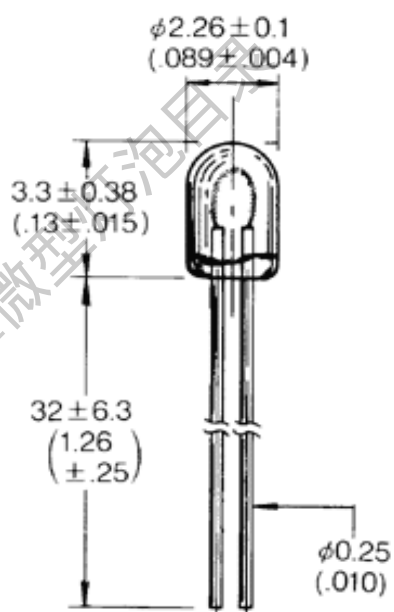
Line Nos	Oshino Lamp Nos	Design Volts	Design Amps	AVG MSCd	Filament Shape	Life (hours)
1	OL-2404	5.0	.02	.02	CC-6	20,000
2	OL-2400	5.0	.021	.034	CC-6	10,000
3	OL-2426	5.0	.03	.03	C-2R	16,000
4	OL-2415	5.0	.04	.025	C-2R	50,000
5	OL-6803	5.0	.06	.03	C-2R	200,000
6	OL-6803AS15	5.0	.06	.03	C-2R	200,000
7	OL-6833	5.0	.06	.05	C-2R	100,000
8	OL-6833AS15	5.0	.06	.05	C-2R	100,000
9	OL-2436	5.0	.06	.15	C-2R	5,000
10	OL-7133	5.0	.075	.09	C-2R	40,000
11	OL-7133AS15	5.0	.075	.09	C-2R	40,000
12	OL-7153	5.0	.115	.15	C-2R	40,000
13	OL-7153AS15	5.0	.115	.15	C-2R	40,000
14	OL-2449	5.0	.115	.20	C-2R	5,000



T-3/4 Wire Terminal Standard Bulb Length

T-3/4 Wire Terminal Short Bulb Length

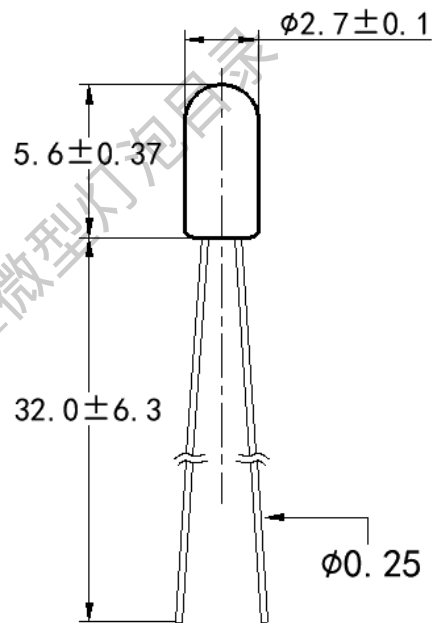
Line Nos	Oshino Lamp Nos	Design Volts	Design Amps	AVG MSCd	Filament Shape	Life (hours)
15	OL-24042	5.0	.02	.02	CC-6	20,000
16	OL-68332	5.0	.06	.05	C-2R	100,000
17	OL-68332AS15	5.0	.06	.05	C-2R	100,000
18	OL-24362	5.0	.06	.15	C-2R	5,000
19	OL-71332	5.0	.075	.09	C-2R	40,000
20	OL-71332AS15	5.0	.075	.09	C-2R	40,000
21	OL-71532	5.0	.115	.15	C-2R	40,000
22	OL-71532AS15	5.0	.115	.15	C-2R	40,000



T-3/4 Wire Terminal Short Bulb Length

T-7/8 Wire Terminal

Line Nos	Oshino Lamp Nos	Design Lovts	Design Amps	AVG MSCd	Filament Shape	Life (hours)
1	OL-2709	5.0	.015	.02	C-2V	10,000
2	OL-2700	5.0	.06	.03	C-2R	200,000
3	OL-2703	5.0	.06	.05	C-2R	100,000
4	OL-2725	5.0	.06	.15	C-2R	5,000
5	OL-2705	5.0	.075	.09	C-2R	40,000
6	OL-2707	5.0	.115	.15	C-2R	40,000
7	OL-2733	12.0	.06	.15	C-2F	16,000
8	OL-2711	14.0	.04	.15	C-2F	16,000

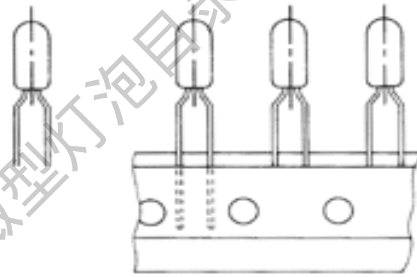
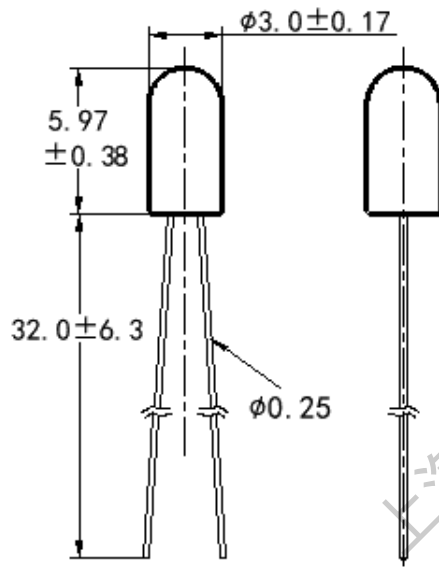


T-7/8 Wire Terminal

T-1 Wire Terminal

Line Nos	Oshino Lamp Nos	Design Volts	Design Amps	AVG MSCd	Filament Shape	Life (hours)
1	OL-3413	2.25	.30	.45	C-2R	20
2	OL-3017	3.0	.008	.001	C-6	16,000
3	OL-2128	3.0	.012	.0005	C-R	25,000
4	OL-3037	3.0	.04	.03	C-2R	10,000
5	OL-3010	3.0	.06	.03	C-2R	50,000
6	OL-3011	3.0	.12	.15	C-2R	3,000
7	OL-3001	5.0	.015	.002	C-2V	25,000
8	OL-3043	5.0	.02	.02	CC-6	20,000
9	OL-3019	5.0	.021	.034	C-2R	10,000
10	OL-3056	5.0	.03	.03	C-2R	16,000
11	OL-3009	5.0	.04	.025	C-2R	50,000
12	OL-680	5.0	.06	.03	C-2R	100,000
13	OL-680AS15	5.0	.06	.03	C-2R	100,000
14	OL-683	5.0	.06	.05	C-2R	100,000
15	OL-683AS15	5.0	.06	.05	C-2R	100,000
16	OL-3070	5.0	.06	.15	C-2R	5,000
17	OL-713	5.0	.075	.09	C-2R	40,000
18	OL-713AS15	5.0	.075	.09	C-2R	40,000
19	OL-715	5.0	.115	.15	C-2R	40,000
20	OL-715AS15	5.0	.115	.15	C-2R	40,000
21	OL-715F1	5.0	.125	.22	C-2R	5,000
22	OL-3039	6.0	.04	.04	C-2R	10,000
23	OL-3041	6.0	.06	.13	C-2R	3,000
24	OL-1088	10.0	.027	.09	C-2F	10,000
25	OL-3023	12.0	.03	.10	C-2F	10,000
26	OL-1089	12.0	.06	.15	C-2F	16,000
27	OL-3228	14.0	.04	.15	C-2F	16,000
28	OL-1111	14.0	.065	.15	C-2F	12,000
29	OL-1092	18.0	.026	.15	C-2F	10,000
30	OL-3316	18.0	.035	.15	C-2F	12,000
31	OL-3091S	24.0	.02	.05	CC-2F	5,000
32	OL-3091	28.0	.02	.05	CC-2F	5,000
33	OL-6838	28.0	.024	.15	CC-2F	5,000

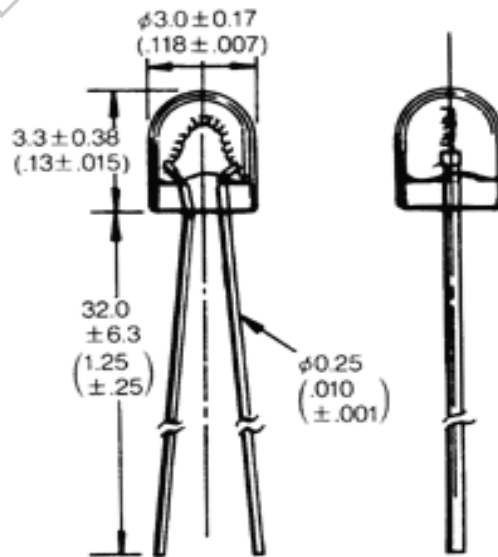
上海航途
微型灯泡目录
上海航途工贸有限公司OL微型灯泡
上海航途工贸有限公司OL微型灯泡目录
上海航途工贸有限公司OL微型灯泡目录



T-1 Wire Terminal

T-1 Short Wire Terminal

Line Nos	Oshino Lamp Nos	Design Volts	Design Amps	AVG MSCd	Filament Shape	Life (hours)
34	OL-30432	5.0	.02	.02	CC-6	20,000
35	OL-30192	5.0	.021	.034	C-2R	10,000
36	OL-6802	5.0	.06	.03	C-2R	200,000
37	OL-6802AS15	5.0	.06	.03	C-2R	200,000
38	OL-6832	5.0	.06	.05	C-2R	100,000
39	OL-6832AS15	5.0	.06	.05	C-2R	100,000
40	OL-30702	5.0	.06	.15	C-2R	5,000
41	OL-7132	5.0	.075	.09	C-2R	40,000
42	OL-7132AS15	5.0	.075	.09	C-2R	40,000
43	OL-7152	5.0	.115	.15	C-2R	40,000
44	OL-7152AS15	5.0	.115	.15	C-2R	40,000
45	OL-7152F1	5.0	.125	.22	C-2R	5,000
46	OL-32282	14.0	.04	.15	CC-2F	1,000
47	OL-8552	28.0	.02	.15	CC-2F	1,500

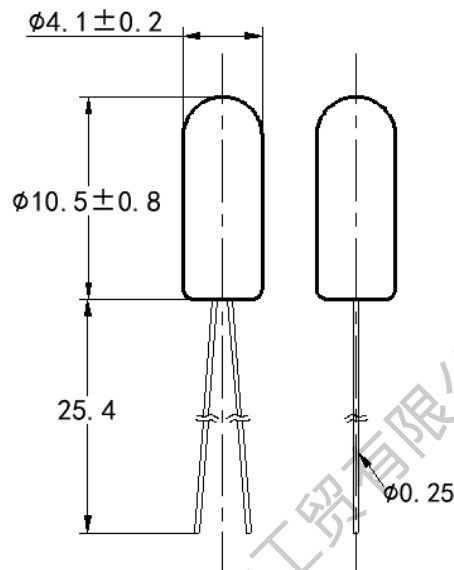


T-1 Short Wire Terminal

T-1 1/4 Wire Terminal

Line Nos	Oshino Lamp Nos	Design Volts	Design Amps	AVG MSCd	Filament Shape	Life (hours)
1	OL-580	5.0	.06	.03	C-2R	200,000
2	OL-583	5.0	.06	.05	C-2R	100,000
3	OL-4125	5.0	.06	.15	C-2R	5,000
4	OL-4003	5.0	.075	.09	C-2R	40,000
5	OL-515	5.0	.115	.15	C-2R	40,000
6	OL-4041	6.0	.04	.04	C-2V	10,000
7	OL-2114	6.0	.06	.13	C-2R	3,000
8	OL-634	6.0	.20	.63	C-2R	500
9	OL-610	6.3	.20	.55	C-2R	5,000
10	OL-4107	10.0	.014	.004	C-2F	50,000
11	OL-4031	12.0	.04	.12	C-2F	10,000
12	OL-4177	12.0	.04	.04	C-2F	25,000
13	OL-4054	12.0	.06	.15	C-2F	16,000
14	OL-4239	14.0	.04	.15	C-2F	8,000
15	OL-4168	14.0	.067	.175	C-2F	15,000
16	OL-640	14.0	.08	.30	C-2F	15,000
17	OL-4029	14.0	.08	.50	C-2F	1,500
18	OL-4185	14.0	.10	.50	C-2F	10,000
19	OL-4096	16.0	.03	.034	C-2F	25,000
20	OL-4059	24.0	.035	.13	C-2F	25,000
21	OL-4073	28.0	.024	.15	C-2F	5,000
22	OL-4132	28.0	.04	.20	C-2F	25,000
23	OL-4008	28.0	.04	.30	C-2F	7,000
24	OL-627	28.0	.04	.34	C-2F	4,000

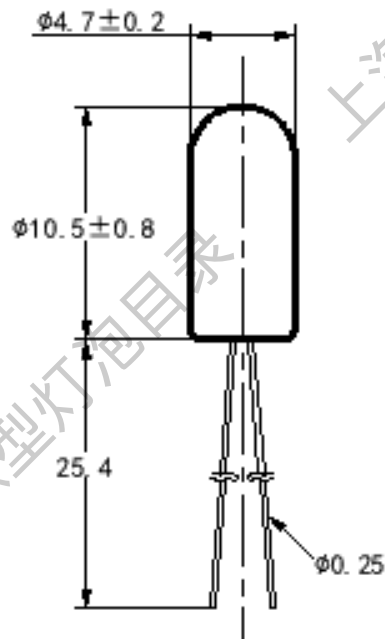
T-1 1/4 Wire Terminal



T-1 3/4 Wire Terminal

Line Nos	Oshino Lamp Nos	Design Volts	Design Amps	AVG MSCd	Filament Shape	Life (hours)
1	OL-1783	2.5	.20	.20	C-2R	500
2	OL-2169	2.5	.35	.21	C-2R	10,000
3	OL-1738	2.7	.06	.04	C-2R	6,000
4	OL-6130	3.0	.04	.03	C-2R	10,000
5	OL-2171	4.5	.12	.045	C-2V	25,000
6	OL-2208	5.0	.015	.002	C-2V	25,000
7	OL-6029	5.0	.02	.02	C-2V	10,000
8	OL-6134	5.0	.03	.03	C-2R	16,000
9	OL-6062	5.0	.04	.025	C-2R	50,000
10	OL-805	5.0	.06	.03	C-2R	200,000
11	OL-806	5.0	.06	.05	C-2R	100,000
12	OL-6083	5.0	.06	.15	C-2R	5,000
13	OL-6232	5.0	.075	.09	C-2R	40,000
14	OL-807	5.0	.115	.15	C-2R	40,000
15	OL-1083	5.0	.22	.60	C-2R	500
16	OL-1730	6.0	.04	.04	C-2V	10,000
17	OL-6225	6.0	.06	.13	C-2R	3,000
18	OL-1784	6.0	.20	.34@5V	C-2R@5V	1,000
19	OL-2180	6.3	.04	.03	C-2R	50,000
20	OL-1739	6.3	.075	.23	C-2R	1,000
21	OL-6048	6.3	.15	.45	C-2R	3,000
22	OL-2181	6.3	.20	.40	C-2F	50,000
23	OL-2112	6.3	.20	.55	C-2R	5,000
24	OL-1869	10.0	.014	.004	C-2F	50,000
25	OL-6066	10.0	.027	.10	C-2V	3,000
26	OL-2107	10.0	.04	.08	C-2F	5,000
27	OL-2174	12.0	.04	.12	C-2F	10,000
28	OL-6037	12.0	.06	.15	C-2F	16,000
29	OL-2182	14.0	.08	.30	C-2F	50,000
30	OL-1705	14.0	.08	.50	C-2F	1,500
31	OL-1705L	14.0	.088	.50	C-2F	4,000
32	OL-2162	14.0	.10	.50	C-2F	10,000
33	OL-6002	15.0	.037	.075	C-2F	50,000
34	OL-2102	18.0	.04	.15	C-2F	10,000
35	OL-425	22.0	.04	.30	C-2F	2,000
36	OL-6004	24.0	.05	.50	C-2F	1,000
37	OL-6033	28.0	.024	.15	C-2F	5,000
38	OL-2185	28.0	.04	.20	C-2F	25,000
39	OL-2187	28.0	.04	.30	C-2F	7,000
40	OL-1764	28.0	.04	.34	C-2F	4,000

41	OL-1764LS V	28.0	.06	.34	C-2F	25,000
42	OL-361	28.0	.06	.60	C-2F	5,000
43	OL-6435	28.0	.065	.65	C-2F	10,000
44	OL-6234	32.0	.033	.34	C-2F	10,000
45	OL-6031	48.0	.02	.15	CC-2F	5,000
46	OL-6260	48.0	.025	.20	CC-2F	5,000
47	OL-6131	48.0	.03	.25	CC-2F	5,000
48	OL-6164	48.0	.04	.34	CC-2F	5,000



T-1 3/4 Wire Terminal

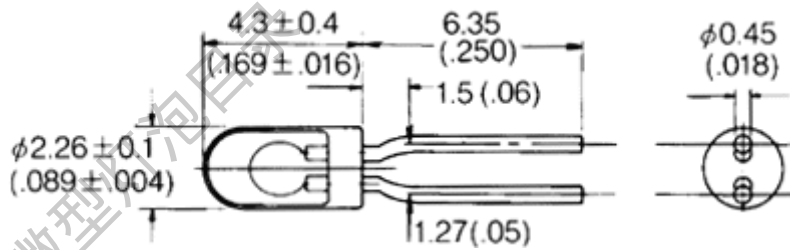
T-3/4 IBPS (Type-A)

Line Nos	Oshino Lamp Nos	Design Volts	Design Amps	AVG MSCd	Filament Shape	Life (hours)
6	OL-2404IBPS/A	5.0	.02	.02	CC-6	20,000
7	OL-2400IBPS/A	5.0	.021	.034	CC-6	10,000
8	OL-6833IBPS/A	5.0	.06	.05	C-2R	100,000
9	OL-7133IBPS/A	5.0	.075	.09	C-2R	40,000
10	OL-7153IBPS/A	5.0	.115	.15	C-2R	40,000

Maximum length

4.7mm (.185")

Unit in mm (inch)



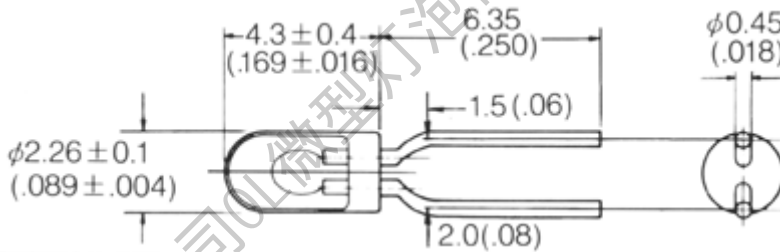
T-3/4 IBPS (Type-G)

Line Nos	Oshino Lamp Nos	Design Volts	Design Amps	AVG MSCd	Filament Shape	Life (hours)
11	OL-2404IBPS/G	5.0	.02	.02	CC-6	20,000
12	OL-2400IBPS/G	5.0	.021	.034	CC-6	10,000
13	OL-6833IBPS/G	5.0	.06	.05	C-2R	100,000
14	OL-7133IBPS/G	5.0	.075	.09	C-2R	40,000
15	OL-7153IBPS/G	5.0	.115	.15	C-2R	40,000

Maximum length

4.7mm (.185")

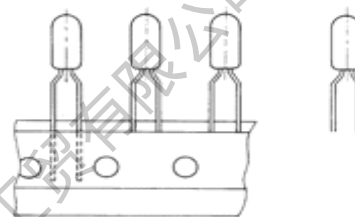
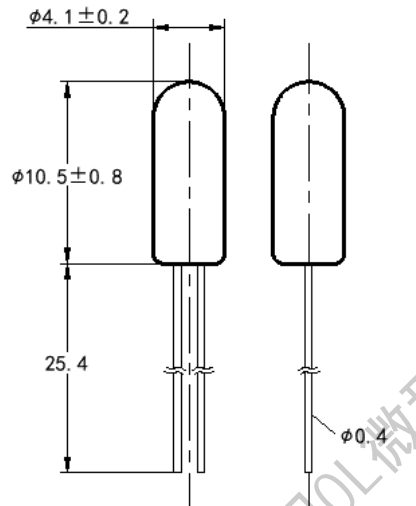
Unit in mm (inch)



T-1 1/4 IBP

Line Nos	Oshino Lamp Nos	Design Volts	Design Amps	AVG MSCd	Filament Shape	Life (hours)
1	OL-583IBP	5.0	.06	.05	C-2R	100,000
2	OL-4003IBP	5.0	.075	.09	C-2R	40,000
3	OL-515IBP	5.0	.115	.15	C-2R	40,000
4	OL-4041IBP	6.0	.04	.04	C-2V	10,000
5	OL-2114IBP	6.0	.06	.13	C-2R	3,000
6	OL-634IBP	6.0	.20	.63	C-2R	500
7	OL-610IBP	6.3	.20	.55	C-2R	5,000
8	OL-4107IBP	10.0	.014	.004	C-2F	50,000
9	OL-4031IBP	12.0	.04	.12	C-2F	10,000
10	OL-4177IBP	12.0	.04	.04	C-2F	25,000
11	OL-4168IBP	14.0	.067	.175	C-2F	15,000
12	OL-640IBP	14.0	.08	.30	C-2F	15,000
13	OL-4029IBP	14.0	.08	.50	C-2F	1,500
14	OL-4185IBP	14.0	.10	.50	C-2F	10,000
15	OL-4096IBP	16.0	.03	.034	C-2F	25,000
16	OL-4059IBP	24.0	.035	.13	C-2F	25,000
17	OL-4073IBP	28.0	.024	.15	C-2F	5,000
18	OL-4132IBP	28.0	.04	.20	C-2F	25,000
19	OL-4008IBP	28.0	.04	.30	C-2F	7,000
20	OL-627IBP	28.0	.04	.34	C-2F	4,000

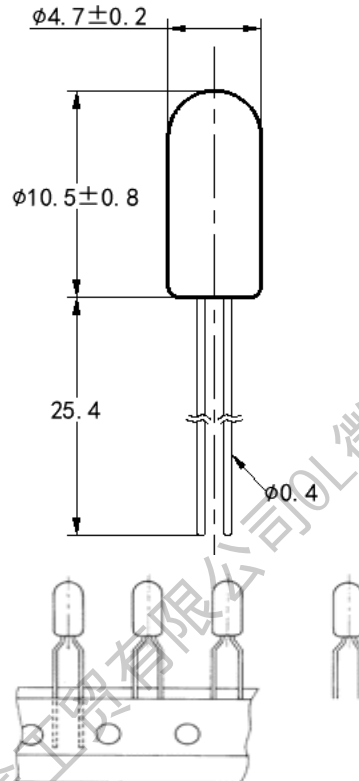
SOCKETS APPLICABLE



T-1 3/4 IBP

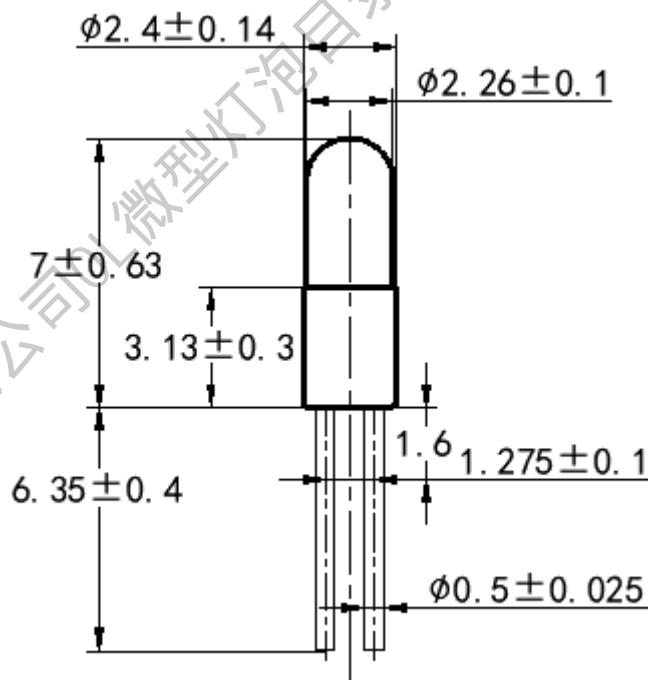
Line Nos	Oshino Lamp Nos	Design Volts	Design Amps	AVG MSCd	Filament Shape	Life (hours)
1	OL-806IBP	5.0	.06	.05	C-2R	100,000
2	OL-6083IBP	5.0	.06	.15	C-2R	5,000
3	OL-6232IBP	5.0	.075	.09	C-2R	40,000
4	OL-807IBP	5.0	.115	.15	C-2R	40,000
5	OL-6225IBP	6.0	.06	.13	C-2R	3,000
6	OL-1784IBP	6.0	.20	.34@5V	C-2R@5V	1,000
7	OL-6048IBP	6.3	.15	.45	C-2R	3,000
8	OL-2181IBP	6.3	.20	.40	C-2F	50,000
9	OL-2112IBP	6.3	.20	.55	C-2R	5,000
10	OL-2107IBP	10.0	.04	.08	C-2F	5,000
11	OL-6037IBP	12.0	.06	.15	C-2F	16,000
12	OL-2182IBP	14.0	.08	.30	C-2F	50,000
13	OL-1705IBP	14.0	.08	.50	C-2F	1,500
14	OL-2162IBP	14.0	.10	.50	C-2F	10,000
15	OL-2102IBP	18.0	.04	.15	C-2F	10,000
16	OL-6004IBP	24.0	.05	.50	C-2F	1,000
17	OL-2185IBP	28.0	.04	.20	C-2F	25,000
18	OL-2187IBP	28.0	.04	.30	C-2F	7,000
19	OL-1764IBP	28.0	.04	.34	C-2F	4,000
20	OL-1764LSV-IBP	28.0	.06	.34	C-2F	25,000
21	OL-361IBP	28.0	.06	.60	C-2F	5,000

SOCKETS APPLICABLE



T-3/4 Bi-Pin

Line Nos	Oshino Lamp Nos	Design Volts	Design Amps	AVG MSCd	Filament Shape	Life (hours)
23	OL-2405BP	5.0	.02	.02	CC-6	20,000
24	OL-2401BP	5.0	.021	.034	CC-6	10,000
25	OL-2427BP	5.0	.03	.03	C-2R	16,000
26	OL-2416BP	5.0	.04	.025	C-2R	50,000
27	OL-8587BP	5.0	.06	.03	C-2R	200,000
28	OL-8913BP	5.0	.06	.05	C-2R	100,000
29	OL-2437BP	5.0	.06	.15	C-2R	5,000
30	OL-8828BP	5.0	.075	.09	C-2R	40,000
31	OL-8270BP	5.0	.115	.15	C-2R	40,000

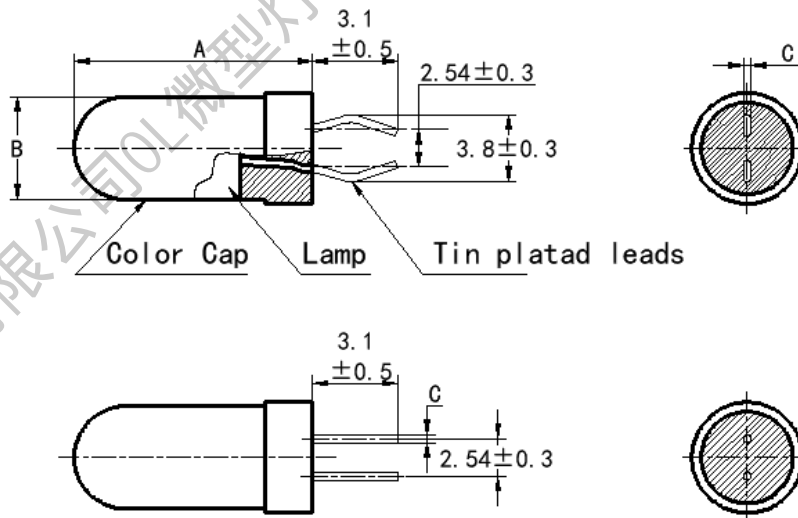


T-3/4 Bi-Pin

T-1 Cap Bi-Pin

Voltage (V)	Current (A)	Brightness		Filament Shape
		(MSCP)	(Lm)	
5	0.06	0.05	0.63	C-2R
5	0.06	0.15	1.9	C-2R
5	0.075	0.09	1.13	C-2R
5	0.115	0.15	1.9	C-2R
6	0.06	0.13	1.63	C-2R
10	0.027	0.09	1.13	C-2F
12	0.03	0.1	1.26	C-2F
12	0.06	0.15	1.9	C-2F
14	0.04	0.15	1.9	C-2F
14	0.065	0.15	1.9	C-2F
18	0.026	0.15	1.9	C-2F
18	0.035	0.15	1.9	C-2F

1. Dimension · Appearance



2. P/N

SIZE	A	B	C
T-1	8.5MAX	4.7MAX	φ0.3
T-11/4	10.7MAX	5.1MAX	φ0.4

Lead forming dimension listed above is our standard style.
Custom-made specification is available upon request.

OL-XXXXCBP/XXX-XX

Color cap cord
Lamp cord

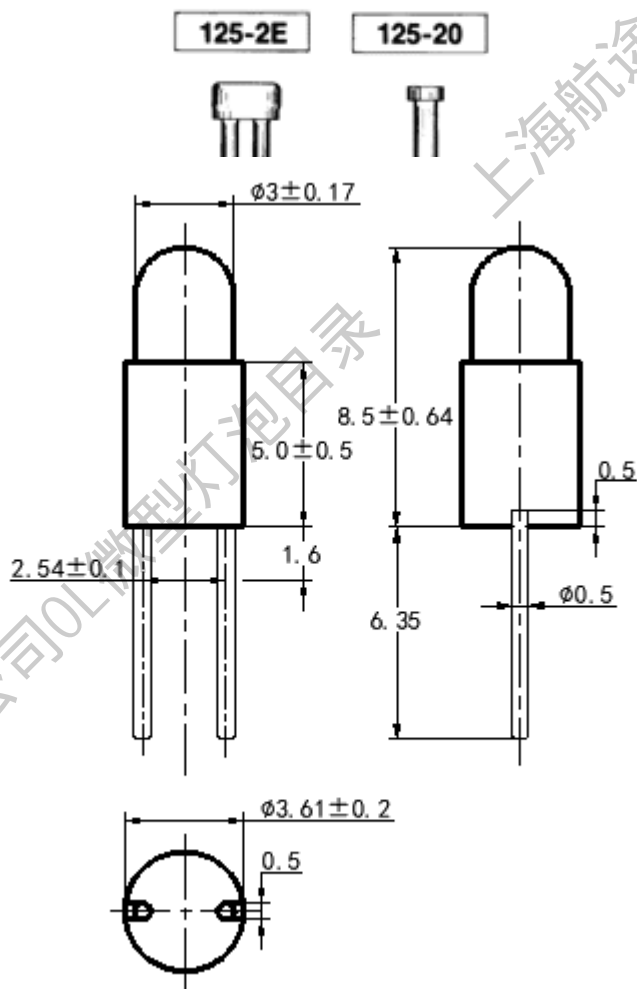
EX: OL-3228CBP/B2X-13

T-1 Bi-Pin(Type-E)

Line Nos	Oshino Lamp Nos	Design Volts	Design Amps	AVG MSCd	Filament Shape	Life (hours)
1	OL-3414BPE	2.25	0.3	0.45	C-2R	20
2	OL-3018BPE	3	0.008	0.001	C-6	16,000
3	OL-679BPE	3	0.012	0.0005	C-6	25,000
4	OL-3038BPE	3	0.04	0.03	C-2R	10,000
5	OL-3008BPE	3	0.06	0.03	C-2R	50,000
6	OL-3012BPE	3	0.12	0.15	C-2R	3,000
7	OL-3002BPE	5	0.015	0.002	C-2V	25,000
8	OL-3044BPE	5	0.02	0.02	CC-6	20,000
9	OL-3020BPE	5	0.021	0.034	C-2R	10,000
10	OL-3057BPE	5	0.03	0.03	C-2R	16,000
11	OL-307BPE	5	0.04	0.025	C-2R	50,000
12	OL-682BPE	5	0.06	0.03	C-2R	100,000
13	OL-682BPE-AS15	5	0.06	0.03	C-2R	100,000
14	OL-685BPE	5	0.06	0.05	C-2R	100,000
15	OL-685BPE-AS15	5	0.06	0.05	C-2R	100,000
16	OL-3071BPE	5	0.06	0.15	C-2R	5,000
17	OL-714BPE	5	0.075	0.09	C-2R	40,000
18	OL-714BPE-AS15	5	0.075	0.09	C-2R	40,000
19	OL-718BPE	5	0.115	0.15	C-2R	40,000
20	OL-718BPE-AS15	5	0.115	0.15	C-2R	40,000
21	OL-718F1-BPE	5	0.125	0.22	C-2R	5,000
22	OL-3094BPE	6	0.04	0.04	C-2R	10,000
23	OL-3042BPE	6	0.06	0.13	C-2R	3,000
24	OL-1098BPE	10	0.027	0.09	C-2F	10,000
25	OL-3024BPE	12	0.03	0.1	C-2F	10,000
26	OL-1099BPE	12	0.06	0.15	C-2F	16,000
27	OL-3229BPE	14	0.04	0.15	C-2F	16,000
28	OL-1112BPE	14	0.065	0.15	C-2F	12,000
29	OL-1100BPE	18	0.026	0.15	C-2F	10,000
30	OL-3317BPE	18	0.035	0.15	C-2F	12,000

上海航途
微型灯泡目录
上海航途工贸有限公司OL微型灯泡
上海航途工贸有限公司OL微型灯泡目录
上海航途工贸有限公司OL微型灯泡目录

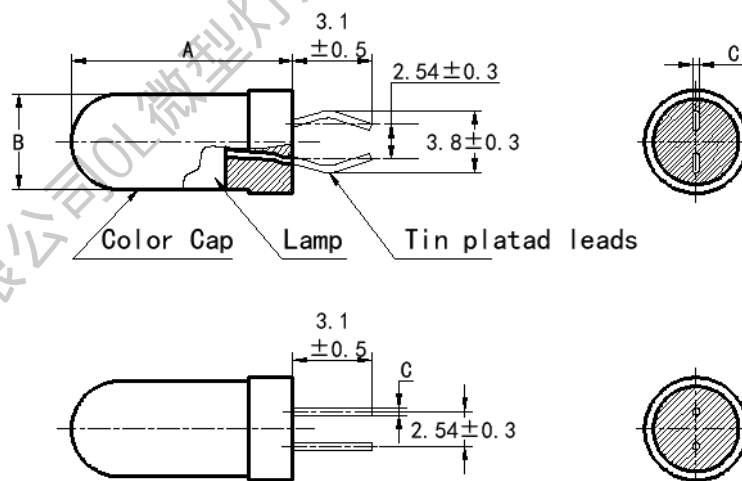
SOCKETS APPLICABLE



T-1 1/4 Cap Bi-Pin

P/N	Voltage (V)	Current (A)	Brightness		Filament Shape
			(MSCP)	(Lm)	
OL-583CBP	5	0.06	0.05	0.63	C-2R
OL-4125CBP	5	0.06	0.15	1.9	C-2R
OL-4003CBP	5	0.075	0.09	1.13	C-2R
OL-515CBP	5	0.115	0.15	1.9	C-2R
OL-2114CBP	6	0.06	0.13	1.65	C-2R
OL-634CBP	6	0.2	0.63	8	C-2R
OL-610CBP	6.3	0.2	0.55	6.99	C-2R
OL-4054CBP	12	0.06	0.15	1.9	C-2F
OL-640CBP	14	0.08	0.3	3.81	C-2F
OL-4029CBP	14	0.08	0.5	6.35	C-2F
OL-4185CBP	14	0.1	0.5	6.35	C-2F

1. Dimension · Appearance



2. P/N

SIZE	A	B	C
T-1	8.5MAX	4.7MAX	φ0.3
T-1 1/4	10.7MAX	5.1MAX	φ0.4

Lead forming dimension listed above is our standard style.
Custom-made specification is available upon request.

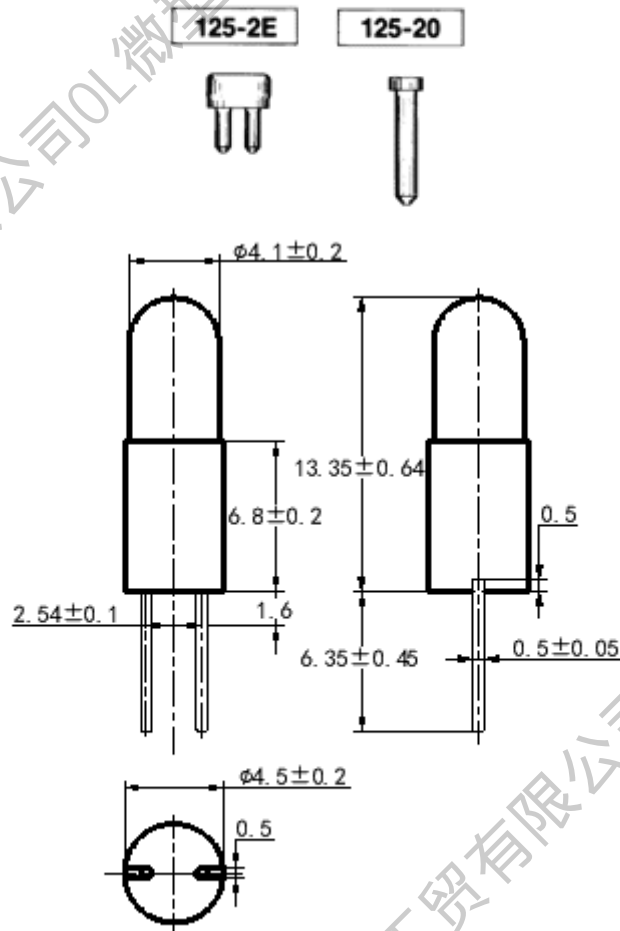
OL-XXXXCBP/XXX-XX



EX: OL-3228CBP/B2X-13

T-1 1/4 Bi-Pin (Type-E)

Line Nos	Oshino Lamp Nos	Design Volts	Design Amps	AVG MSCd	Filament Shape	Life (hours)
1	OL-585BPE	5.0	.06	.05	C-2R	100,000
2	OL-4004BPE	5.0	.075	.09	C-2R	40,000
3	OL-518BPE	5.0	.115	.15	C-2R	40,000
4	OL-4042BPE	6.0	.04	.04	C-2V	10,000
5	OL-4015BPE	6.0	.06	.13	C-2R	3,000
6	OL-628BPE	6.0	.20	.63	C-2R	500
7	OL-4032BPE	12	.04	.12	C-2F	10,000
8	OL-4030BPE	14	.08	.30	C-2F	15,000
9	OL-646BPE	14	.08	.50	C-2F	1,500
10	OL-4097BPE	16	.03	.034	C-2F	25,000
11	OL-4060BPE	24	.035	.13	C-2F	25,000
12	OL-4074BPE	28	.024	.15	C-2F	5,000
13	OL-4133BPE	28	.04	.20	C-2F	25,000
14	OL-4009BPE	28	.04	.30	C-2F	7,000
15	OL-632BPE	28	.04	.34	C-2F	4,000

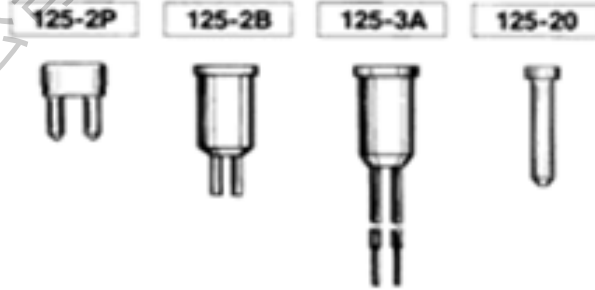
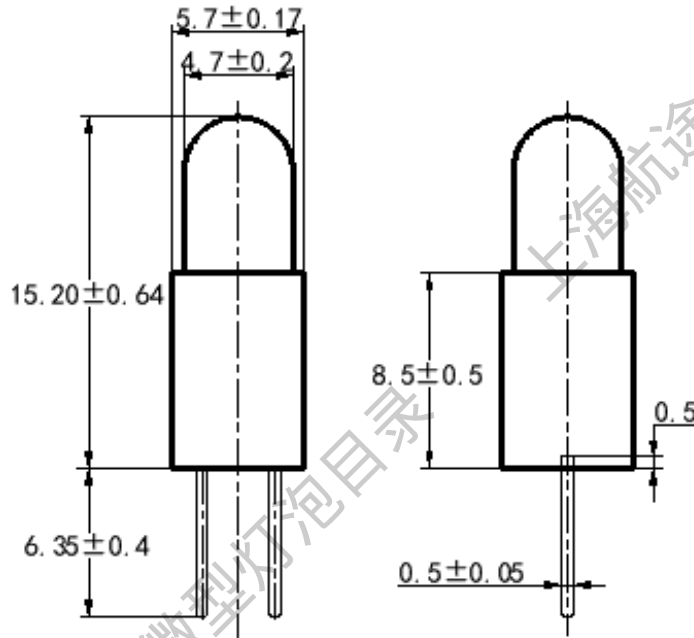


T-1 3/4 Bi-Pin

Line Nos	Oshino Lamp Nos	Design Volts	Design Amps	AVG MSCd	Filament Shape	Life (hours)
1	OL-368BP	2.5	.20	.20	C-2R	500
2	OL-268BP	2.5	.35	.21	C-2R	10,000
3	OL-338BP	2.7	.06	.04	C-2R	6,000
4	OL-6133BP	3.0	.04	.03	C-2R	10,000
5	OL-6049BP	4.5	.12	.045	C-2V	25,000
6	OL-6050BP	5.0	.015	.002	C-2V	25,000
7	OL-6030BP	5.0	.02	.02	C-2V	10,000
8	OL-6135BP	5.0	.03	.03	C-2R	16,000
9	OL-6063BP	5.0	.04	.025	C-2R	50,000
10	OL-782BP	5.0	.06	.03	C-2R	200,000
11	OL-783BP	5.0	.06	.05	C-2R	100,000
12	OL-6084BP	5.0	.06	.15	C-2R	5,000
13	OL-6233BP	5.0	.075	.09	C-2R	40,000
14	OL-815BP	5.0	.115	.15	C-2R	40,000
15	OL-428BP	5.0	.18	.35	C-2R	3,000
16	OL-345BP	6.0	.04	.04	C-2V	10,000
17	OL-6226BP	6.0	.06	.13	C-2R	3,000
18	OL-332BP	6.0	.20	.10	C-2F	50,000
19	OL-328BP	6.0	.20	.34@5V	C-2R@5V	1,000
20	OL-380BP	6.3	.04	.03	C-2V	50,000
21	OL-377BP	6.3	.075	.23	C-2R	1,000
22	OL-350BP	6.3	.15	.45	C-2R	3,000
23	OL-381BP	6.3	.20	.40	C-2F	50,000
24	OL-349BP	6.3	.20	.55	C-2R	5,000
25	OL-344BP	10.0	.014	.004	C-2F	50,000
26	OL-367BP	10.0	.04	.08	C-2F	5,000
27	OL-394BP	12.0	.04	.12	C-2F	10,000
28	OL-6038BP	12.0	.06	.15	C-2F	16,000
29	OL-382BP	14.0	.08	.30	C-2F	50,000
30	OL-330BP	14.0	.08	.50	C-2F	1,500
31	OL-6006BP	14.0	.088	.50	C-2F	4,000
32	OL-8918BP	14.0	.10	.50	C-2F	10,000
33	OL-6003BP	15.0	.037	.075	C-2F	50,000
34	OL-370BP	18.0	.04	.15	C-2F	10,000
35	OL-459BP	22.0	.04	.30	C-2F	2,000
36	OL-6005BP	24.0	.05	.50	C-2F	1,000
37	OL-6034BP	28.0	.024	.15	C-2F	5,000
38	OL-385BP	28.0	.04	.20	C-2F	25,000
39	OL-387BP	28.0	.04	.30	C-2F	7,000
40	OL-327BP	28.0	.04	.34	C-2F	4,000
41	OL-327LSV-BP	28.0	.06	.34	C-2F	25,000

42	OL-365BP	28.0	.06	.60	C-2F	5,000
43	OL-6235BP	32.0	.033	.34	C-2F	10,000
44	OL-6032BP	48.0	.02	.15	CC-2F	5,000

SOKETS APPLICABLE



MF LAMP

T-1 3/4 Midget Flanged

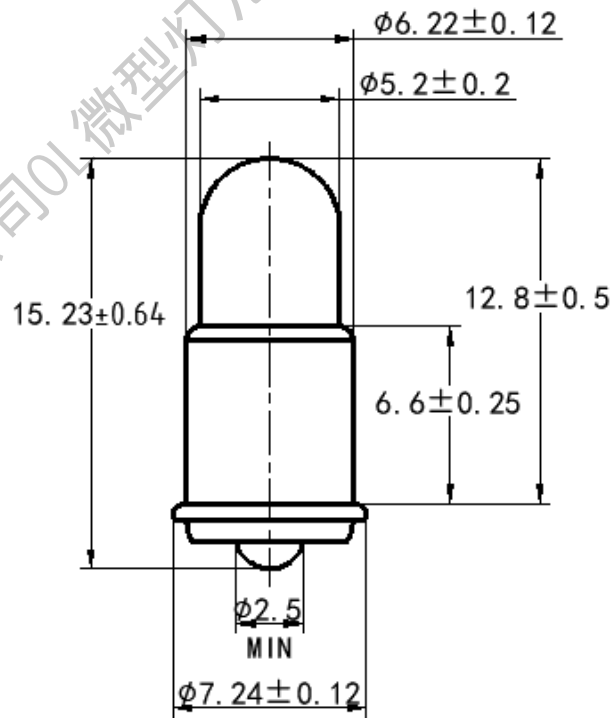
Line Nos	Oshino Lamp Nos	Design Volts	Design Amps	AVG MSCd	Filament Shape	Life (hours)
1	OL-368	2.5	.02	.02	C-2R	500
2	OL-268	2.5	.35	.21	C-2R	10,000
3	OL-338	2.7	.06	.04	C-2R	6,000
4	OL-6133	3.0	.04	.03	C-2R	10,000
5	OL-6049	4.5	.12	.045	C-2V	25,000
6	OL-6050	5.0	.015	.002	C-2V	25,000
7	OL-6030	5.0	.02	.02	C-2V	10,000
8	OL-6135	5.0	.03	.03	C-2R	16,000
9	OL-6063	5.0	.04	.025	C-2R	50,000
10	OL-782	5.0	.06	.03	C-2R	200,000
11	OL-783	5.0	.06	.05	C-2R	100,000
12	OL-6084	5.0	.06	.15	C-2R	5,000
13	OL-6233	5.0	.075	.09	C-2R	40,000
14	OL-815	5.0	.115	.15	C-2R	40,000
15	OL-428	5.0	.18	.35	C-2R	3,000
16	OL-345	6.0	.04	.04	C-2R	10,000
17	OL-6226	6.0	.06	.13	C-2R	3,000
18	OL-332	6.0	.20	.10	C-2F	50,000
19	OL-328	6.0	.20	.34@5V	C-2R@5V	1,000
20	OL-380	6.3	.04	.03	C-2V	50,000
21	OL-377	6.3	.075	.23	C-2R	1,000
22	OL-350	6.3	.15	.45	C-2R	3,000
23	OL-381	6.3	.20	.40	C-2F	20,000
24	OL-349	6.3	.20	.55	C-2R	5,000
25	OL-344	10.0	.014	.004	C-2F	50,000
26	OL-367	10.0	.04	.08	C-2F	5,000
27	OL-394	12.0	.04	.12	C-2F	10,000
28	OL-6038	12.0	.06	.15	C-2F	16,000
29	OL-382	14.0	.08	.30	C-2F	50,000
30	OL-330	14.0	.08	.50	C-2F	1,500
31	OL-6006	14.0	.088	.50	C-2F	4,000
32	OL-8918	14.0	.10	.50	C-2F	10,000
33	OL-6003	15.0	.037	.075	C-2F	50,000
34	OL-370	18.0	.04	.15	C-2F	10,000
35	OL-459	22.0	.04	.30	C-2F	2,000
36	OL-6005	24.0	.05	.50	C-2F	1,000
37	OL-6034	28.0	.024	.15	C-2F	5,000
38	OL-385	28.0	.04	.20	C-2F	25,000
39	OL-385AS15	28.0	.04	.20	C-2F	25,000

40	OL-387	28.0	.04	.30	C-2F	7,000
41	OL-327	28.0	.04	.34	C-2F	4,000
42	OL-327LSV	28.0	.06	.34	C-2F	25,000
43	OL-365	28.0	.06	.60	C-2F	5,000
44	OL-6436	28.0	.065	.65	C-2F	10,000
45	OL-6235	32.0	.033	.34	C-2F	10,000
46	OL-6032	48.0	.02	.15	CC-2F	5,000
47	OL-6261	48.0	.025	.20	CC-2F	5,000
48	OL-6132	48.0	.03	.25	CC-2F	5,000
49	OL-6165	48.0	.04	.34	CC-2F	5,000

MS25237 13.34mm MAX(.525")

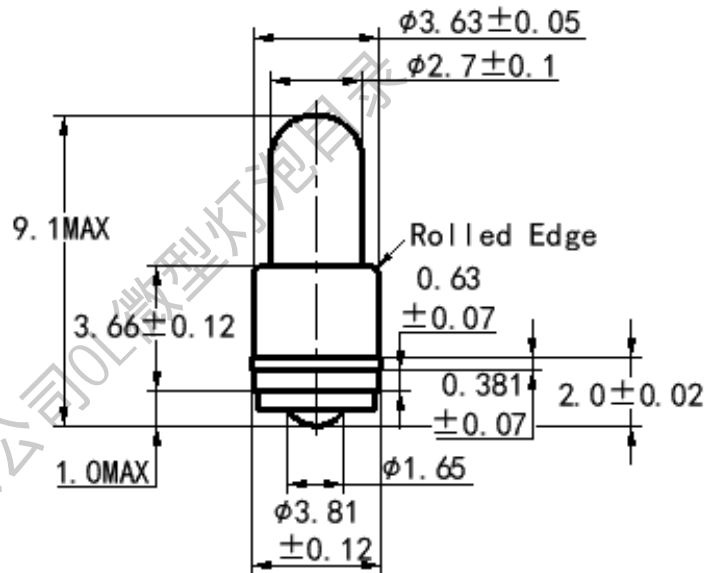
"Q" MARKED BASE LAMP

OL-328Q, OL-387Q, OL-328AS15Q, OL-387AS15Q, OL-327Q, OL-6084Q, OL-327AS15Q,
OL-6084AS15Q, OL-381Q, OL-8918Q, OL-381AS15Q, OL-8918AS15Q, OL-385AS15Q



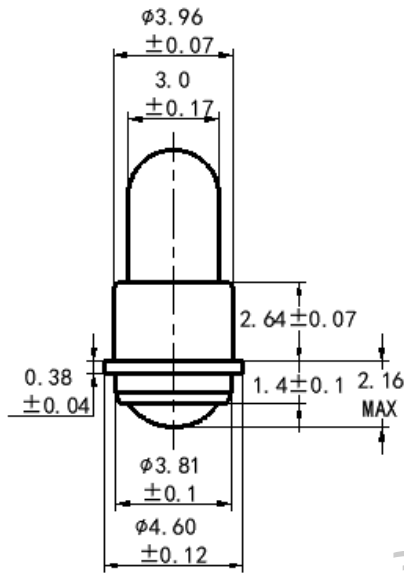
T-7/8 Sub-Midget Flanged(Special)

9	OL-2710	5.0	.015	.02	C-2V	10,000
10	OL-2702	5.0	.06	.03	C-2R	200,000
11	OL-2704	5.0	.06	.05	C-2R	100,000
12	OL-2726	5.0	.06	.15	C-2R	5,000
13	OL-2706	5.0	.075	.09	C-2R	40,000
14	OL-2708	5.0	.115	.15	C-2R	40,000



T-1 Sub-Midget Flanged

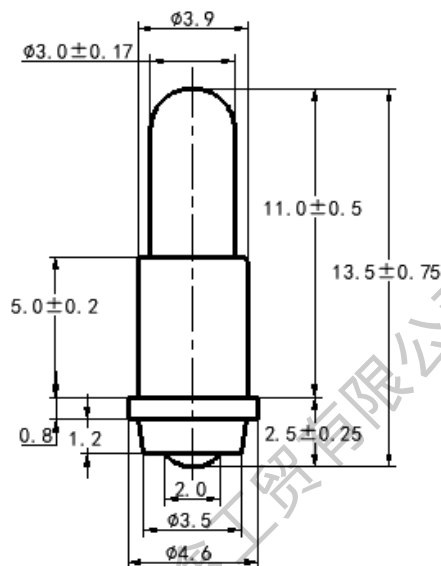
Line Nos	Oshino Lamp Nos	Design Volts	Design Amps	AVG MSCd	Filament Shape	Life (hours)
1	OL-3414	2.25	.30	.45	C-2R	20
2	OL-3018	3.0	.008	.001	C-6	16,000
3	OL-679	3.0	.012	0.0005	C-6	25,000
4	OL-3038	3.0	.04	.03	C-2R	10,000
5	OL-3008	3.0	.06	.03	C-2R	50,000
6	OL-3012	3.0	.12	.15	C-2R	3,000
7	OL-3002	5.0	.015	.002	C-2V	25,000
8	OL-3044	5.0	.02	.02	CC-6	20,000
9	OL-3020	5.0	.021	.034	C-2R	10,000
10	OL-3057	5.0	.03	.03	C-2R	16,000
11	OL-3007	5.0	.04	.025	C-2R	50,000
12	OL-682	5.0	.06	.03	C-2R	100,000
13	OL-682AS15	5.0	.06	.03	C-2R	100,000
14	OL-685	5.0	.06	.05	C-2R	100,000
15	OL-685AS15	5.0	.06	.05	C-2R	100,000
16	OL-3071	5.0	.06	.15	C-2R	5,000
17	OL-714	5.0	.075	.09	C-2R	40,000
18	OL-714AS15	5.0	.075	.09	C-2R	40,000
19	OL-718	5.0	.115	.15	C-2R	40,000
20	OL-718AS15	5.0	.115	.15	C-2R	40,000
21	OL-718F1	5.0	.125	.22	C-2R	5,000
22	OL-3094	6.0	.04	.04	C-2R	10,000
23	OL-3042	6.0	.06	.13	C-2R	3,000
24	OL-1098	10.0	.027	.09	C-2F	10,000
25	OL-3024	12.0	.03	.10	C-2F	10,000
26	OL-1099	12.0	.06	.15	C-2F	16,000
27	OL-3229	14.0	.04	.15	C-2F	16,000
28	OL-1112	14.0	.065	.15	C-2F	12,000
29	OL-1100	18.0	.026	.15	C-2F	10,000
30	OL-3317	18.0	.035	.15	C-2F	40,000
31	OL-3092S	24.0	.02	.05	CC-2F	5,000
32	OL-3092	28.0	.02	.05	CC-2F	5,000
33	OL-6839	28.0	.024	.15	CC-2F	16,000



T-1 Sub-Midget Flanged

Franch Norm

Line Nos	Oshino Lamp Nos	Design Volts	Design Amps	AVG MSCd	Filament Shape	Life (hours)
34	OL-3104	5.0	.06	.05	C-2R	40,000
35	OL-3106	5.0	.115	.15	C-2R	20,000
36	OL-3109	12.0	.06	.15	C-2F	10,000
37	OL-3111	18.0	.026	.15	C-2F	3,000
38	OL-31129	28.0	.024	.15	CC-2F	5,000
39	OL-3115	28.0	.04	.30	CC-2F	1,000

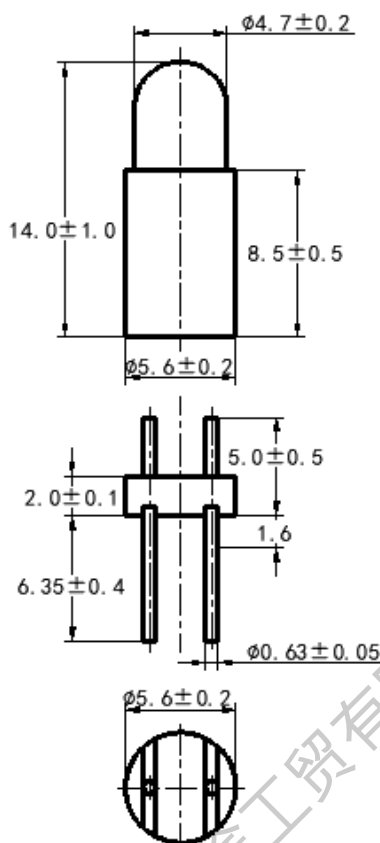


Franch Norm

ANOTHER BASE LAMP

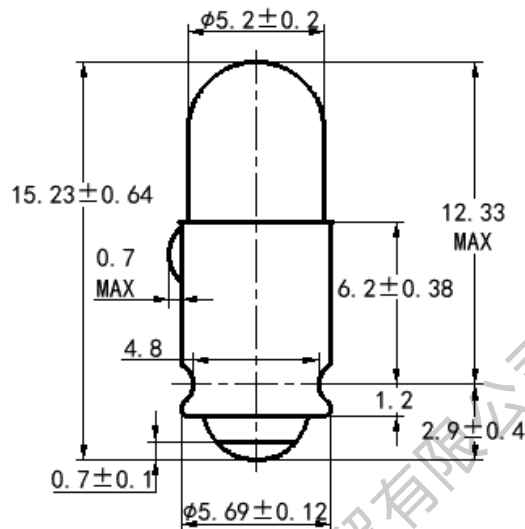
T-1 3/4 BPR

Line Nos	Oshino Lamp Nos	Design Volts	Design Amps	AVG MSCD	Filament Shape	Life (hours)
1	OL-338BPR	2.7	.06	.04	C-2R	6,000
2	OL-375BPR	3.0	.015	.003	C-2R	10,000
3	OL-6030BPR	5.0	.02	.02	C-2V	10,000
4	OL-782BPR	5.0	.06	.03	C-2R	20,000
5	OL-783BPR	5.0	.06	.05	C-2R	100,000
6	OL-6233BPR	5.0	.075	.09	C-2R	40,000
7	OL-815BPR	5.0	.115	.15	C-2R	40,000
8	OL-345BPR	6.0	.04	.04	C-2V	10,000
9	OL-328BPR	6.0	.20	.34@5V	C-2R@5V	1,000
10	OL-377BPR	6.3	.075	.23	C-2R	1,000
11	OL-381BPR	6.3	.20	.40	C-2F	50,000
12	OL-367BPR	10.0	.04	.08	C-2F	5,000
13	OL-394BPR	12.0	.04	.12	C-2F	10,000
14	OL-382BPR	14.0	.08	.30	C-2F	50,000
15	OL-370BPR	18.0	.04	.15	C-2F	10,000
16	OL-385BPR	28.0	.04	.20	C-2F	25,000
17	OL-387BPR	28.0	.04	.30	C-2F	7,000
18	OL-327BPR	28.0	.04	.34	C-2F	4,000
19	OL-6235BPR	32.0	.033	.34	C-2F	10,000

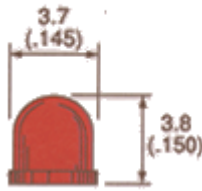
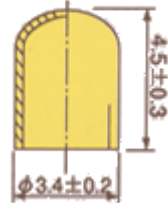
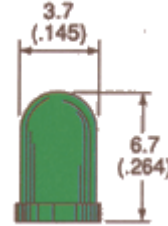
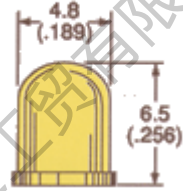
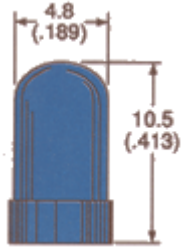
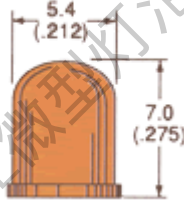
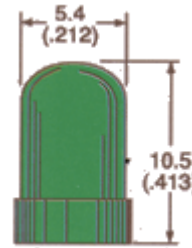
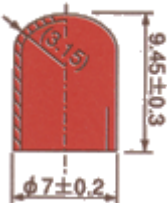


T-1 3/4 Midget Grooved

Line Nos	Oshino Lamp Nos	Design Volts	Design Amps	AVG MSCD	Filament Shape	Life (hours)
1	OL-699	2.5	.20	.20	C-2R	500
2	OL-1079	2.5	.35	.21	C-2R	10,000
3	OL-6039	5.0	.06	.03	C-2R	200,000
4	OL-6041	5.0	.06	.05	C-2R	100,000
5	OL-6043	5.0	.115	.15	C-2R	40,000
6	OL-337	6.0	.20	.34@5V	C-2R@5V	1,000
7	OL-379	6.3	.20	.40	C-2F	50,000
8	OL-398	6.3	.20	.55	C-2R	5,000
9	OL-709	10.0	.014	.004	C-2F	50,000
10	OL-397	10.0	.04	.08	C-2F	5,000
11	OL-6045	12.0	.04	.12	C-2F	10,000
12	OL-6277	12.0	.06	.15	C-2F	16,000
13	OL-386	14.0	.08	.30	C-2F	50,000
14	OL-336	14.0	.08	.50	C-2F	1,500
15	OL-346	18.0	.04	.15	C-2F	10,000
16	OL-457	22.0	.04	.30	C-2F	2,000
17	OL-6047	28.0	.04	.20	C-2F	25,000
18	OL-388	28.0	.04	.30	C-2F	7,000
19	OL-334	28.0	.04	.34	C-2F	4,000
20	OL-334LSV	28.0	.06	.34	C-2F	25,000
21	OL-6052	48.0	.02	.15	CC-2F	5,000
22	OL-6262	48.0	.025	.20	CC-2F	5,000
23	OL-6272	48.0	.025	.20	CC-2F	5,000
24	OL-6139	48.0	.04	.34	CC-2F	5,000



▶▶ Silicone Rubber Boots

C30038	C30045	C30067	C41065
			
T-1 SHORT WT T-1 WT, SMF, BP T-1 BPC, BPE T-1 SM, NW, GT	T-1 WT T-1 NW, GT SMC	T-1 WT T-1 BPA	T-1 1/4 MF T-1 1/4 BPE, NW T-1 1/4 GT
C41105	C47070	C47105	C65094
			
T-1 1/4 WT, IBP T-1 1/4 BPA T-1 1/4 PBB, PBC	T-1 3/4 MF, MG T-1 3/4 BP, BPR, BPS	T-1 3/4 WT, IBP	T-6.5 NWC

Color No. List	RED	GREEN	BLUE	YELLOW	ORANGE
Light Color	R2X-01	GXX-01	BXX-01	YXX-01	O2X-01
Medium Color	R2X-03	GXX-03	BXX-03	YXX-03	O2X-03
Dark Color	R2X-05	GXX-05	BXX-05	YXX-05	O2X-05



Oshino Lamps Ltd.

2-5-2, MINAMI-SHINAGAWA,
SHINAGAWA-KU, TOKYO 140-0004, JAPAN
TEL : +81-3-3472-1706
FAX : +81-3-3450-3939
E-mail : oshinolampsworld@oshinolamps.co.jp

1st January, 2016

To Whom It May Concern
Subject: Letter of authorization

This is to certify that Shanghai Hangtu Industry and Trade Co. Ltd. is Oshino Lamps Ltd's authorized distributor and sell the products of Oshino Lamps Ltd.

Shanghai Hangtu Industry and Trade Co. Ltd. reserves the right to sell and deliver the products in China.

This authorization shall be in effect from the date above written and shall remain in effect until terminated by either party.

Yours Sincerely,

Jin Kobayashi
Managing Director
Oshino Lamps Ltd.
Global Sales

