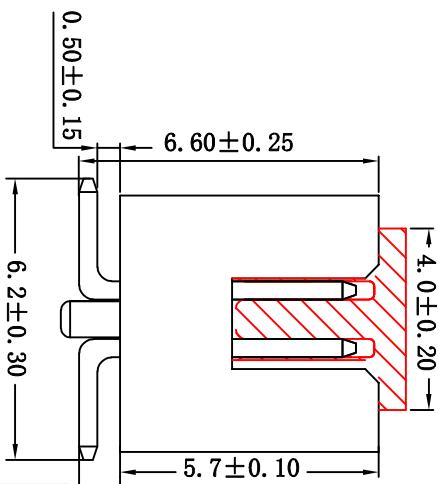
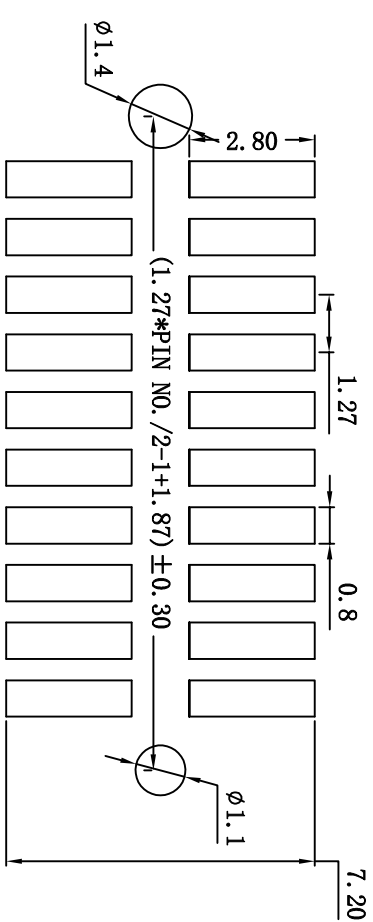
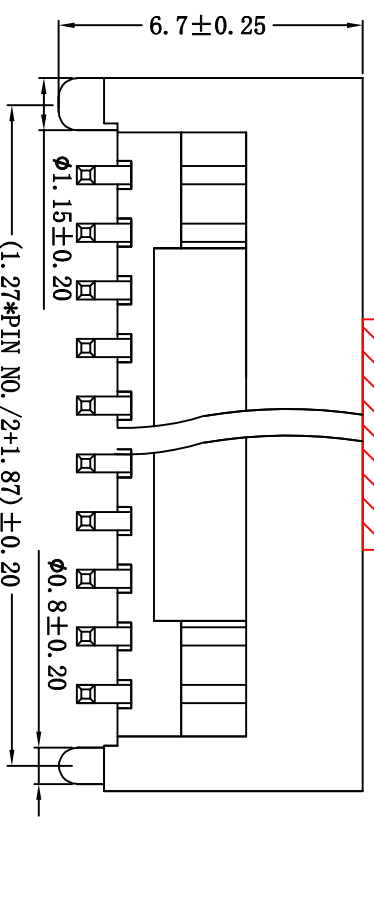
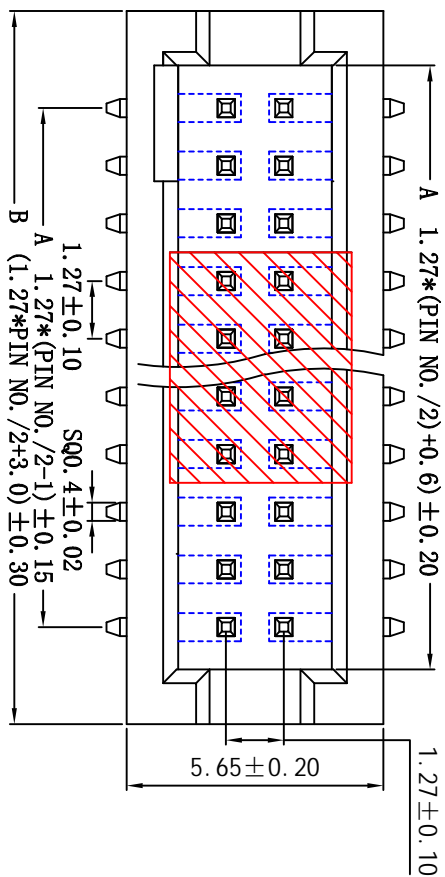


**SPECIFICATION**

Current Rating : 1AMP  
Voltage rating : 50V AC DC  
Insulator resistance : 1000 MΩ min.  
Dielectric Withstanding: AC 500V  
Operation Temperature : -40°C to +105°C  
Contact Material : Brass  
Insulator Material : Polyester UL94V-0  
Insulator Material : NL9T+30%G. F(black)  
Plating : Gold Flash All Over Nickel



□	X.XX
□	平面度
≤20P	□/0.10
≤40P	□/0.12
≤60P	□/0.15
≥100P	□/0.20

PIN NO.	DIMENSION	
	A	B
10	5.08	9.35
16	8.89	13.16
20	11.43	15.70
26	15.24	19.51
28	16.51	20.78
34	20.32	24.59
44	26.67	30.94
50	30.48	34.75
60	36.83	41.1
80	49.53	53.8
90	55.88	60.15
100	62.23	66.5

东莞市汇豪科技有限公司

REV A.0	DRAWN: HH	2021-05-12	Encoding:
SCALE 1:1	CHECKED:		TITLE: 1.27*5.7Box XXP BK SMT
UNIT mm	APPROVED:		DIP: 6.20(0.5) 加盖 带外大小柱
			NL9T环保

