

## General Specifications

Impeller : Plastic(Black)94V-0

Frame : Plastic(Black)94V-0

Bearing : Sleeve

Life Expectancy : 30000hrs at 40°C

Operating Temp : -10°C~70°C

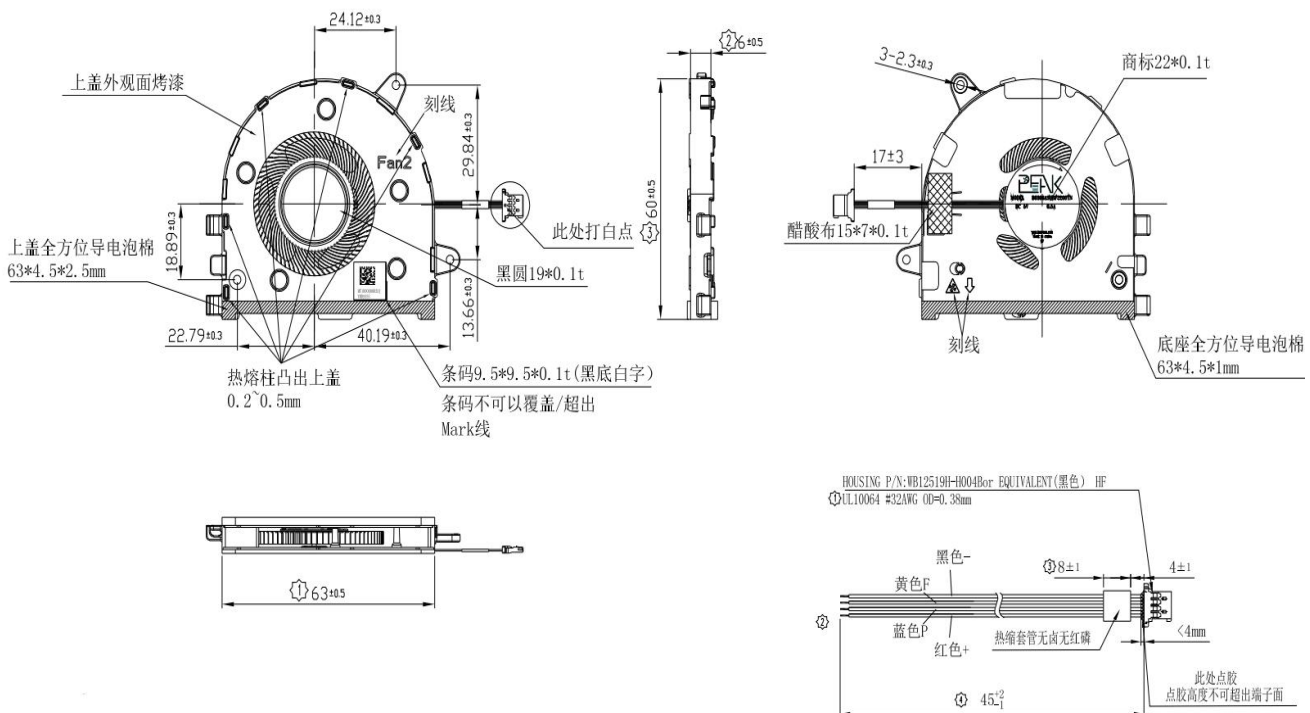
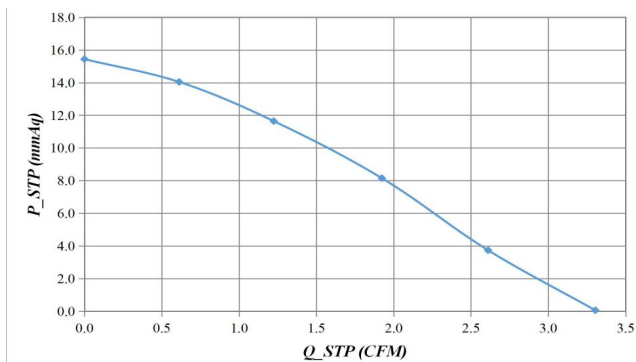
Wire/Terminal type : According to the customer's requests

Mass Weight : 28g(Ref)

IP Protection Level : IP50



Size (mm)	Model	Voltage (VDC)	Bearing	Speed (RPM)	Air Flow (CFM)	Static Pressure (mm Aq (in free air))	Noise (db(A))
63*60*6.0	B6306ASHSF2200TN	5	Sleeve	5500	3.3	15.2	37.1



Contact: Ellen / 1 408 817 0141 Email: Ellensun@frd-corp.com

Add: 1551 McCarthy Blvd ste 101, Milpitas, Ca 95035, USA

