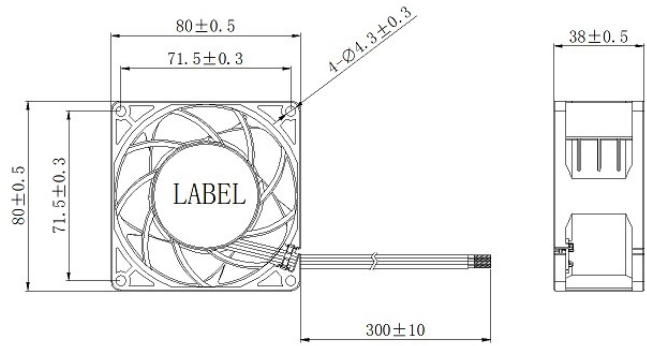


80 x 80 x 38 MM SERIES

External Dimensions

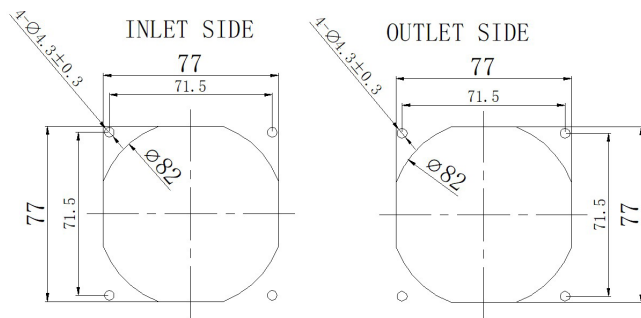
Unit: mm



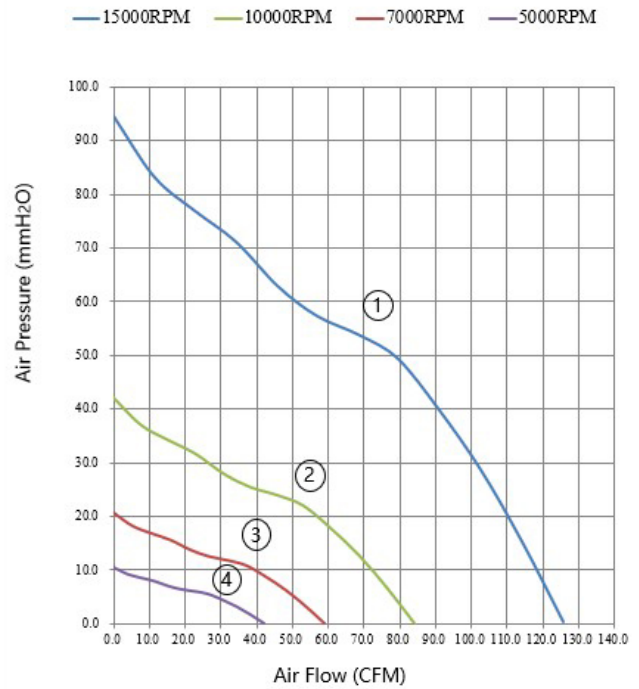
General Specifications

- Impeller: Plastic(Black)94V-0
- Frame: Plastic(Black)94V-0
- Bearing: Ball Bearing
- Life Expectancy: 70000hrs at 40°C
- Operating Temp: -10°C ~70 °C
- Wire/Terminal type: According to the customer's requests
- Mass Weight: 200g (Ref)
- IP Protection Level: IP50~ IP54

Mounting Panel Cut-outs



Performance P&Q Curves



Model	Voltage (VDC)	Current (A)	Power (W)	Speed (RPM)	Air Flow (CFM)	Air Flow (m ³ /h)	Air Pressure (mmH ₂ O)	Noise (dBA)	Curve
A8038BBUNF2300SR	12	3	36	15000	125.66	212.99	94.6	69	1
A8038BBUNF2301SR	12	1.1	13.2	10000	83.85	142.13	42.12	61	2
A8038BBUNF2302SR	12	0.5	6	7000	58.69	99.48	20.64	53	3
A8038BBUNF2303SR	12	0.18	2.16	5000	11.47	19.44	11.87	46	4
A8038BBMNG2400SR	12	0.6	7.2	8200	69.2	105.90	29	54.5	1