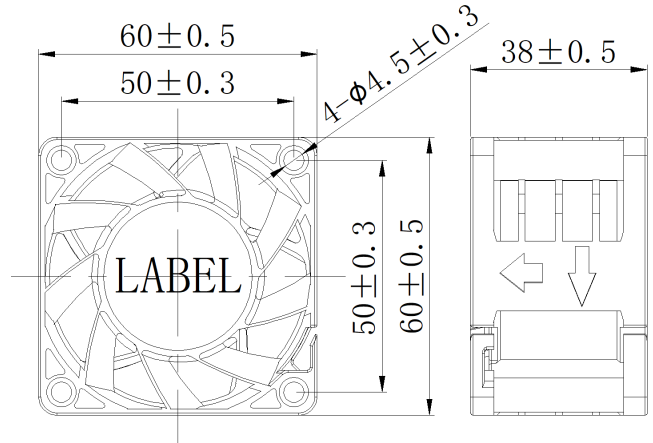




60 x 60 x 38 MM SERIES

External Dimensions

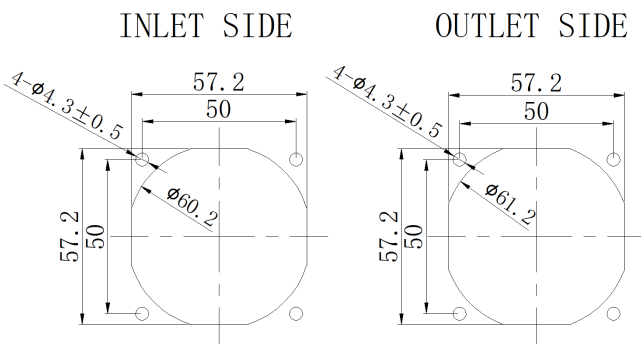
Unit: mm



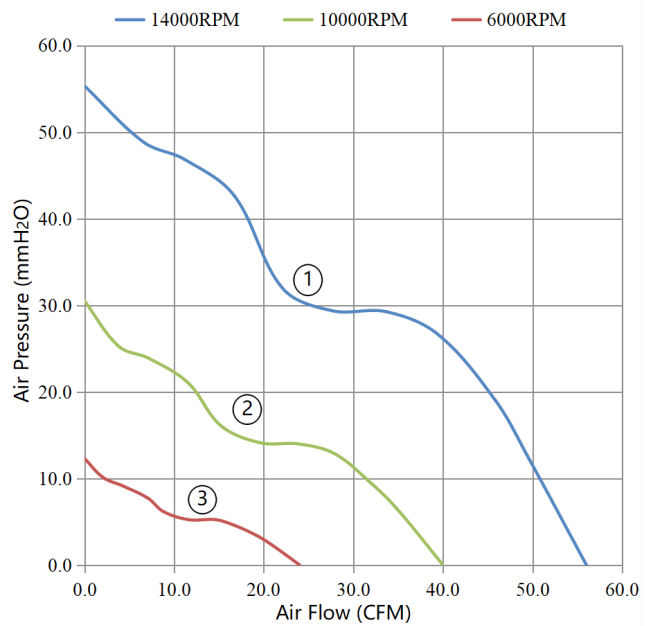
General Specifications

- **Impeller:** Plastic(Black)94V-0
- **Frame:** Plastic(Black)94V-0
- **Bearing:** Ball Bearing
- **Life Expectancy:** 70000hrs at 40°C
- **Operating Temp:** -10°C ~70 °C
- **Wire/Terminal type:** According to the customer's requests
- **Mass Weight:** 120g (Ref)
- **IP Protection Level:** IP50~ IP68

Mounting Panel Cut-outs



Performance P&Q Curves



Model	Voltage (VDC)	Current (A)	Power (W)	Speed (RPM)	Air Flow (CFM)	Air Flow (m ³ /h)	Air Pressure (mmH ₂ O)	Noise (dBA)	Curve
A6038BBMNG2400SC	12	0.3	5.04	8000	32.56	55.19	19.78	53	3
A6038BBMNG2400SS	12	0.15	1.8	6000	24	40.68	12.3	38	3
A6038BBHNG2400SS	12	0.45	5.4	10000	40	67.80	30.5	50.5	2
A6038BBUNG2400SS	12	1.08	13	14000	56	94.92	55.3	60	1