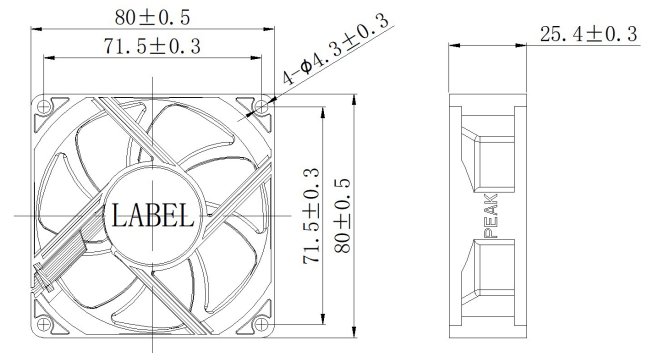




80 x 80 x 25.4 MM SERIES

## External Dimensions

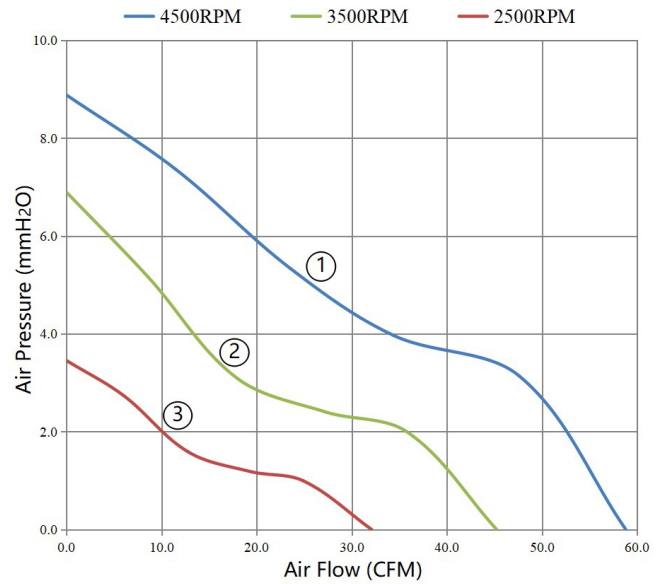
Unit: mm



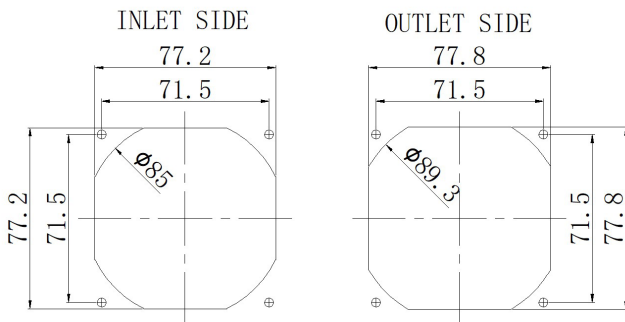
## General Specifications

- **Impeller:** Plastic(Black)94V-0
- **Frame:** Plastic(Black)94V-0
- **Bearing:** Sleeve or Ball Bearing
- **Life Expectancy:** 30000hrs or 70000hrs at 40°C
- **Operating Temp:** -20°C ~80 °C
- **Wire/Terminal type:** According to the customer's requests
- **Mass Weight:** 88g (Ref)
- **IP Protection Level:** IP50~ IP68

## Performance P&Q Curves



## Mounting Panel Cut-outs



Model	Voltage (VDC)	Current (A)	Power (W)	Speed (RPM)	Air Flow (CFM)	Air Flow (m <sup>3</sup> /h)	Air Pressure (mmH2O)	Noise (dBA)	Curve
A8025BBLNF2300SR	12	0.08	0.96	2500	32	54.24	3.4	28	3
A8025BBMNF2300SR	12	1.8	1.8	3500	45.2	76.61	6.8	37	2
A8025BHMNF2300SR	12	0.29	3.48	4500	58.5	99.16	8.9	43	1