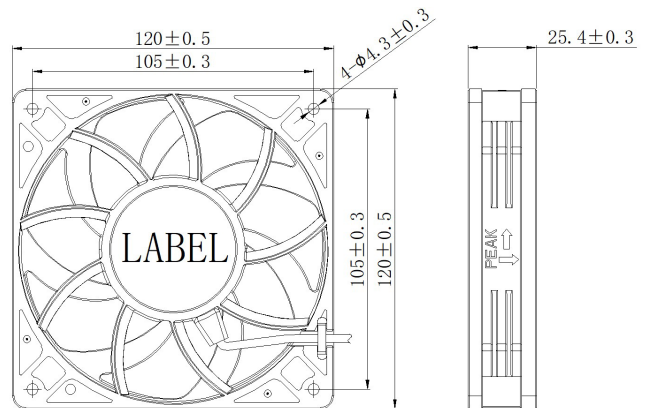


120 x 120 x 25.4 MM SERIES

## External Dimensions

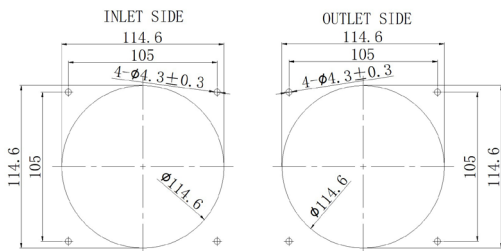
Unit: mm



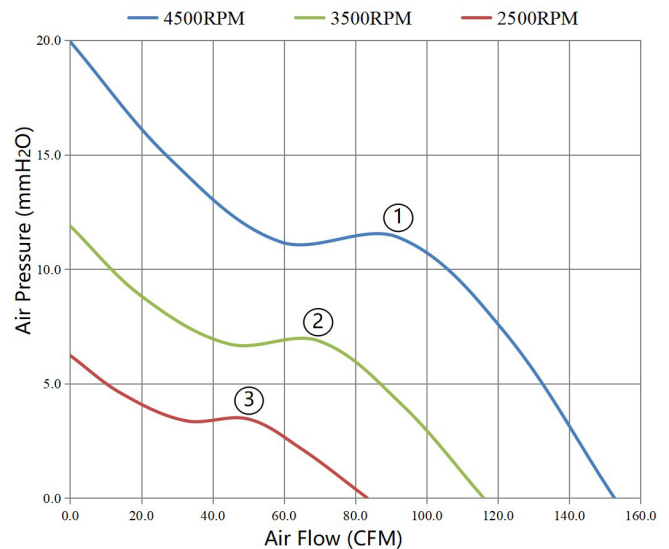
## General Specifications

- **Impeller:** Plastic(Black)94V-0
- **Frame:** Plastic(Black)94V-0
- **Bearing:** Ball Bearing
- **Life Expectancy:** 120000hrs at 50 °C
- **Operating Temp:** -20°C ~80 °C
- **Wire/Terminal type:** According to the customer's requests
- **Mass Weight:** 240g (Ref)
- **IP Protection Level:** IP50~ IP68

## Mounting Panel Cut-outs



## Performance P&Q Curves



Model	Voltage (VDC)	Current (A)	Power (W)	Speed (RPM)	Air Flow (CFM)	Air Flow (m <sup>3</sup> /h)	Air Pressure (mmH <sub>2</sub> O)	Noise (dBA)	Curve
AC025BBLNF2100SS	12	0.26	3.12	2500	83.2	141.02	6.2	40	3
AC025BBMNF2100SS	12	0.56	6.72	3500	115.9	196.45	11.9	50.5	2
AC025BBHNF2100SS	12	1.17	14.04	4500	152.7	258.83	19.9	56	1
AC025EBHNF2100ST	48	0.3	13.44	4500	152.7	258.83	19.9	56	1
AC025CBHNF2100SR	24	0.12	2.88	2500	83.2	141.02	6.2	40	3
AC025CBHNF2100SR	24	0.24	5.76	3500	115.9	196.45	11.9	50.5	2
AC025CBHNF2100SR	24	0.53	12.72	4500	152.7	258.83	19.9	56	1
AC025EBLNF2100ST	48	0.08	3.84	2500	83.2	141.02	6.2	40	3
AC025EBMNF2100ST	48	0.15	7.2	3500	115.9	196.45	11.9	50.5	2
AC025EBHNF2100ST	48	0.28	13.44	4500	152.7	258.83	19.9	56	1