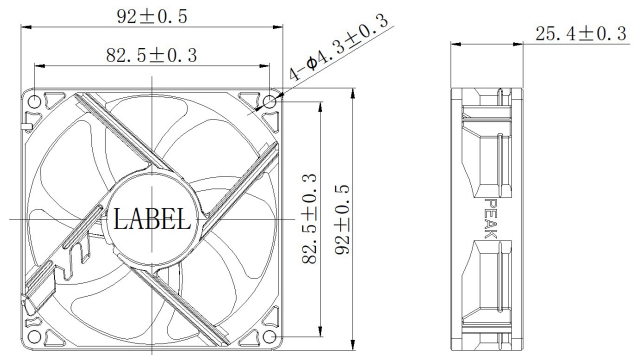


92 x 92 x 25.4 MM SERIES

## External Dimensions

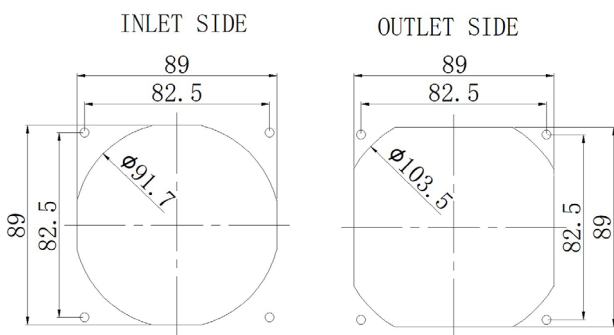
Unit: mm



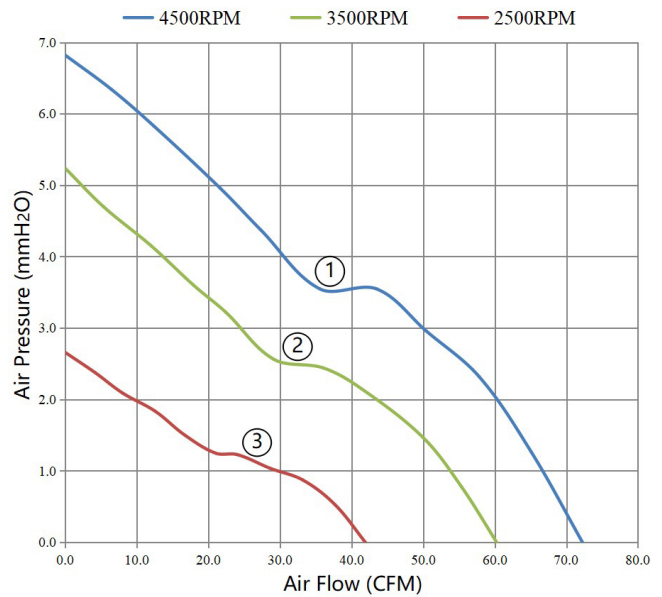
## General Specifications

- **Impeller:** Plastic(Black)94V-0
- **Frame:** Plastic(Black)94V-0
- **Bearing:** Sleeve or Ball Bearing
- **Life Expectancy:** 30000hrs or 70000hrs at 40°C
- **Operating Temp:** -20°C ~80 °C
- **Wire/Terminal type:** According to the customer's requests
- **Mass Weight:** 96g (Ref)
- **IP Protection Level:** IP50~ IP68

## Mounting Panel Cut-outs



## Performance P&Q Curves



| Model            | Voltage (VDC) | Current (A) | Power (W) | Speed (RPM) | Air Flow (CFM) | Air Flow (m <sup>3</sup> /h) | Air Pressure (mmH <sub>2</sub> O) | Noise (dBA) | Curve |
|------------------|---------------|-------------|-----------|-------------|----------------|------------------------------|-----------------------------------|-------------|-------|
| A9225BBLNF2300SR | 12            | 0.1         | 1.2       | 2500        | 42             | 71.19                        | 2.7                               | 30          | 3     |
| A9225BBMNF2300SR | 12            | 0.26        | 3.12      | 3500        | 60.3           | 102.21                       | 5.2                               | 39          | 2     |
| A9225BHMNF2300SR | 12            | 0.5         | 6         | 4500        | 72.3           | 122.55                       | 6.8                               | 46          | 1     |