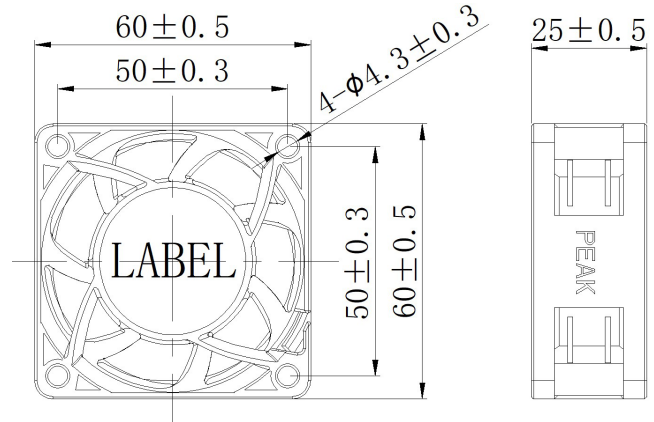




60 x 60 x 25 MM SERIES

External Dimensions

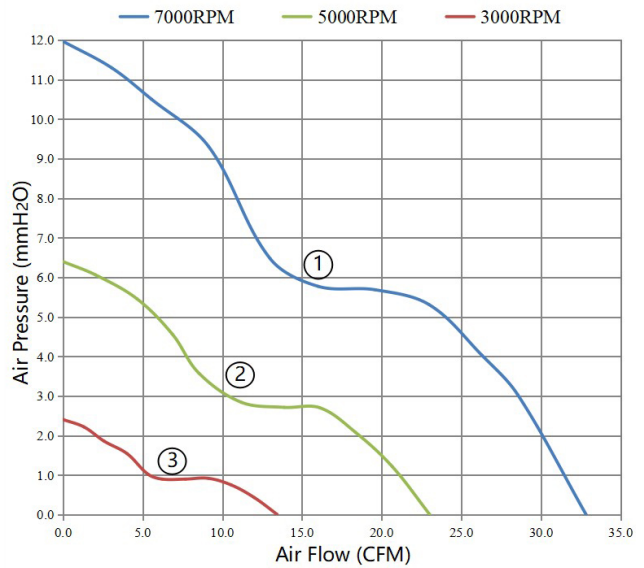
Unit: mm



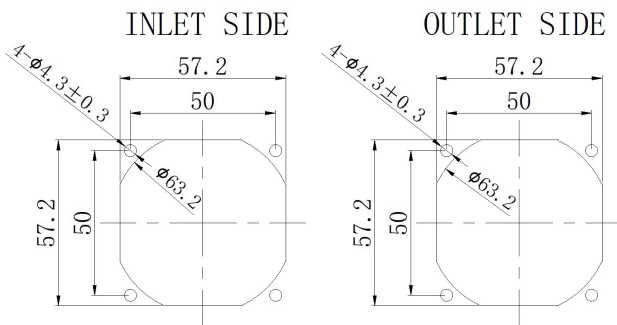
General Specifications

- **Impeller:** Plastic(Black)94V-0
- **Frame:** Plastic(Black)94V-0
- **Bearing:** Ball Bearing
- **Life Expectancy:** 70000hrs at 40°C
- **Operating Temp:** -10°C ~70 °C
- **Wire/Terminal type:** According to the customer's requests
- **Mass Weight:** 80g (Ref)
- **IP Protection Level:** IP50~ IP54

Performance P&Q Curves



Mounting Panel Cut-outs



Model	Voltage (VDC)	Current (A)	Power (W)	Speed (RPM)	Air Flow (CFM)	Air Flow (m³/h)	Air Pressure (mmH2O)	Noise (dBA)	Curve
A6025BBMNG2302SR	12	0.08	0.96	3000	13.4	22.71	2.4	30	3
A6025BBMNG2301SR	12	0.2	2.4	5000	23	38.99	6.4	38	2
A6025BBMNG2300SR	12	0.25	3	7000	32.8	55.60	11.9	45	1