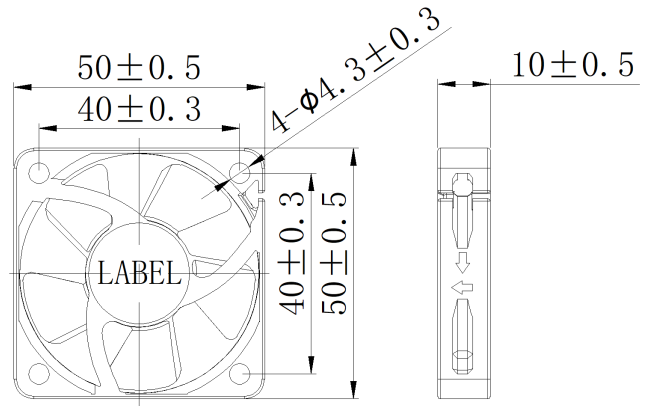


50 x 50 x 10 MM SERIES

## External Dimensions

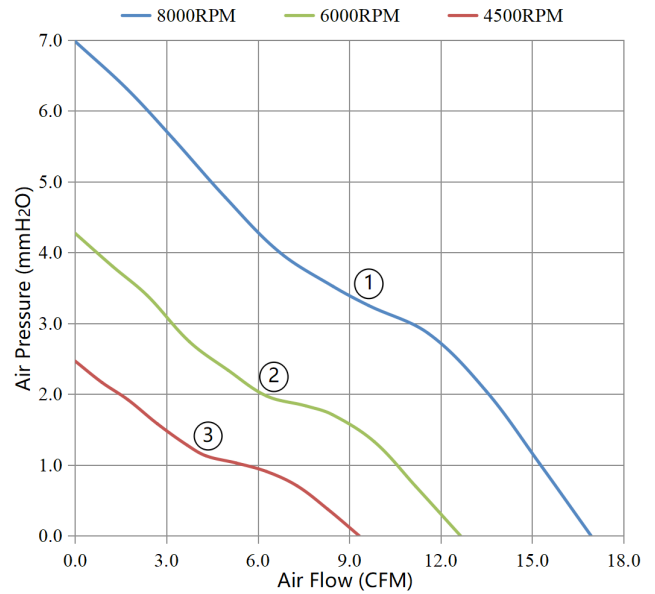
Unit: mm



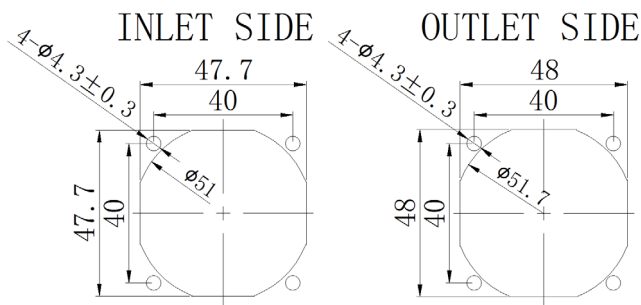
## General Specifications

- **Impeller:** Plastic(Black)94V-0
- **Frame:** Plastic(Black)94V-0
- **Bearing:** Ball Bearing
- **Life Expectancy:** 70000hrs at 40°C
- **Operating Temp:** -10°C ~70 °C
- **Wire/Terminal type:** According to the customer's requests
- **Mass Weight:** 25g (Ref)
- **IP Protection Level:** IP50~ IP54

## Performance P&Q Curves



## Mounting Panel Cut-outs



Model	Voltage (VDC)	Current (A)	Power (W)	Speed (RPM)	Air Flow (CFM)	Air Flow (m³/h)	Air Pressure (mmH2O)	Noise (dBA)	Curve
A5010BBLNG2400SR	12	0.14	1.68	4500	9.3	15.76	2.5	22.5	3
A5010BBMNG2400SR	12	0.17	2.04	6000	12.6	21.36	4.3	28.5	2
A5010BBHNG2400SR	12	0.22	2.64	8000	16.9	28.65	7	37	1