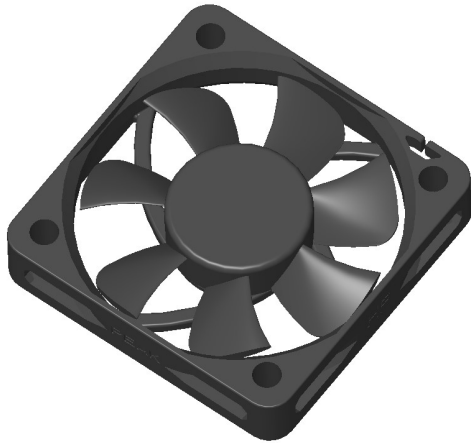


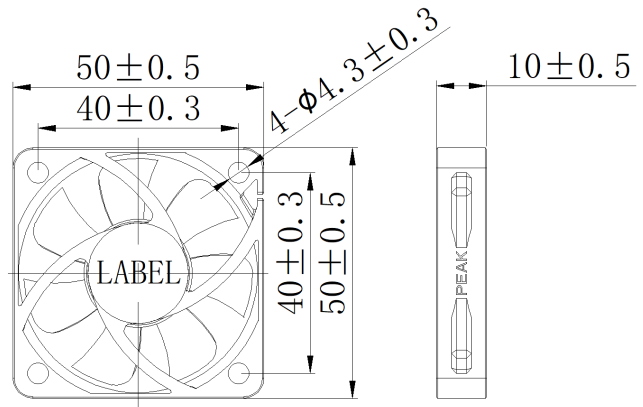
# DC Axial Fan - 5010-A



50 x 50 x 10 MM SERIES

## External Dimensions

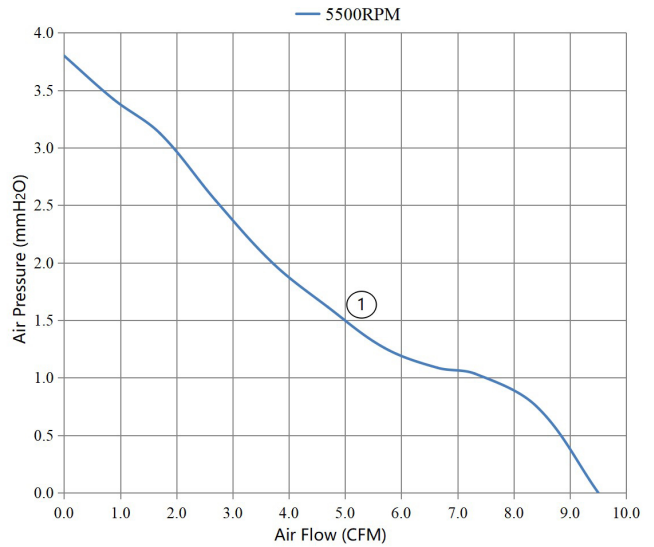
Unit: mm



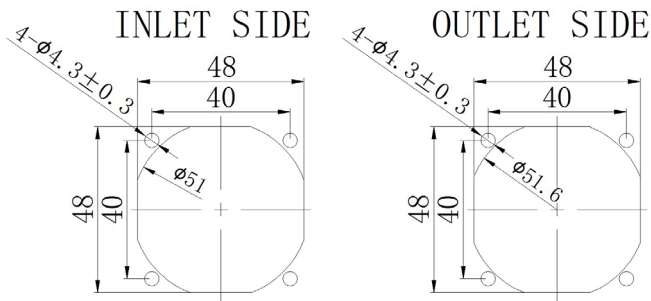
## General Specifications

- **Impeller:** Plastic(Black)94V-0
- **Frame:** Plastic(Black)94V-0
- **Bearing:** Sleeve Bearing
- **Life Expectancy:** 30000hrs at 40°C
- **Operating Temp:** -10°C ~70 °C
- **Wire/Terminal type:** According to the customer's requests
- **Mass Weight:** 20g (Ref)
- **IP Protection Level:** IP50~ IP54

## Performance P&Q Curves



## Mounting Panel Cut-outs



Model	Voltage (VDC)	Current (A)	Power (W)	Speed (RPM)	Air Flow (CFM)	Air Flow (m³/h)	Air Pressure (mmH2O)	Noise (dBA)	Curve
A5010ASLNF2300SR	5	0.08	0.4	5500	9.5	16.10	3.8	27	1
A5010BSLNF2300SR	12	0.06	0.72	5500	9.5	16.10	3.8	27	1