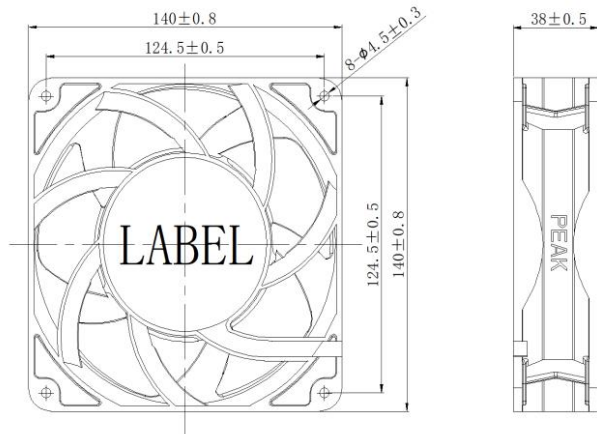




140 x 140 x 38 MM SERIES

External Dimensions

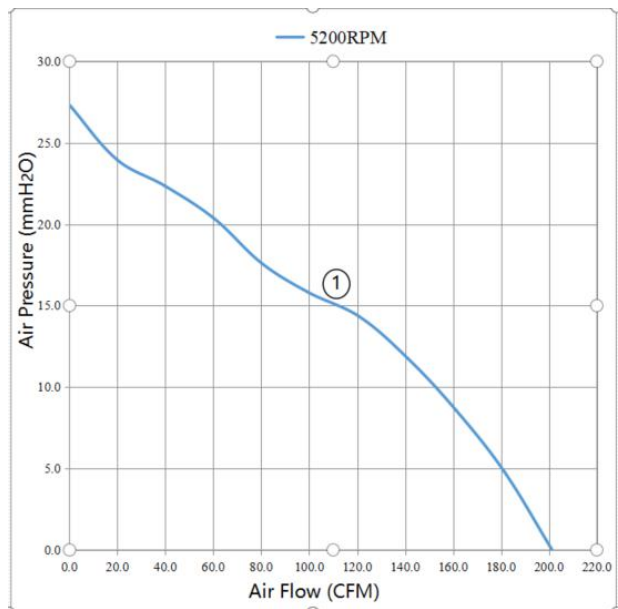
Unit: mm



General Specifications

- **Impeller:** Plastic(Black)94V-0
- **Frame:** Aluminum (Black painting)
- **Bearing:** Ball Bearing
- **Life Expectancy:** 120000hrs at 40°C
- **Operating Temp:** -25°C ~80 °C
- **Noise Test Condition:** The microphone @ distance of 1M from the fan intake
- **Wire/Terminal type:** According to the customer's requests
- **Mass Weight:** 628g (Ref)
- **IP Protection Level:** IP50~ IP56

Performance P&Q Curves



Model	Voltage (VDC)	Current (A)	Power (W)	Speed (RPM)	Air Flow (CFM)	Air Flow (m³/h)	Air Pressure (mmH2O)	Noise (dBA)	Curve
AE038BBMNG2400SR	12	2	24	5200	201	340.7	27.3	55.0-58.0	1

Contact: Ellen / 1 408 817 0141 Email: Ellensun@frd-corp.com Web: <http://en.elepeak.com/>
 Add USA: 1551 McCarthy Blvd ste 101, Milpitas, Ca 95035, USA
 Thailand: 82/1 Moo 2 T-Park, Tambol Panthong, Amphur Panthong, Chon Buri 20160