

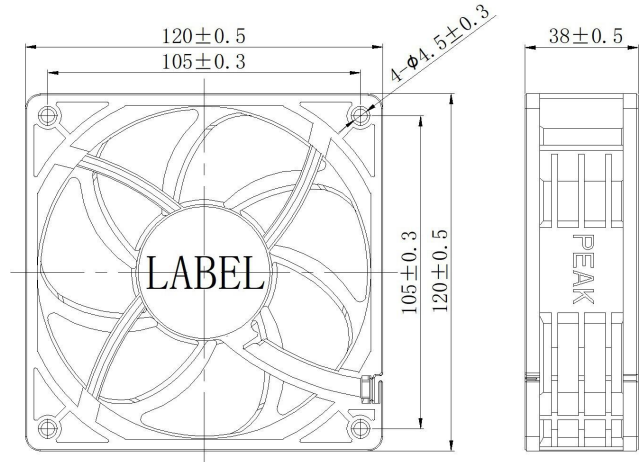
DC Axial Fan - 12038



120 x 120 x 38 MM SERIES

External Dimensions

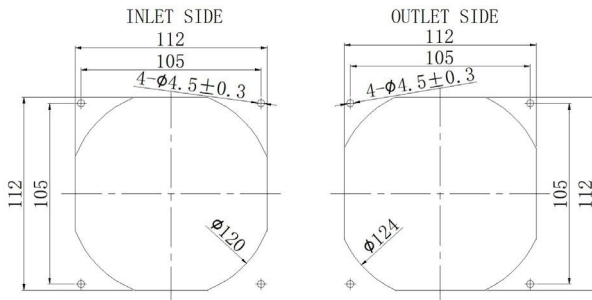
Unit: mm



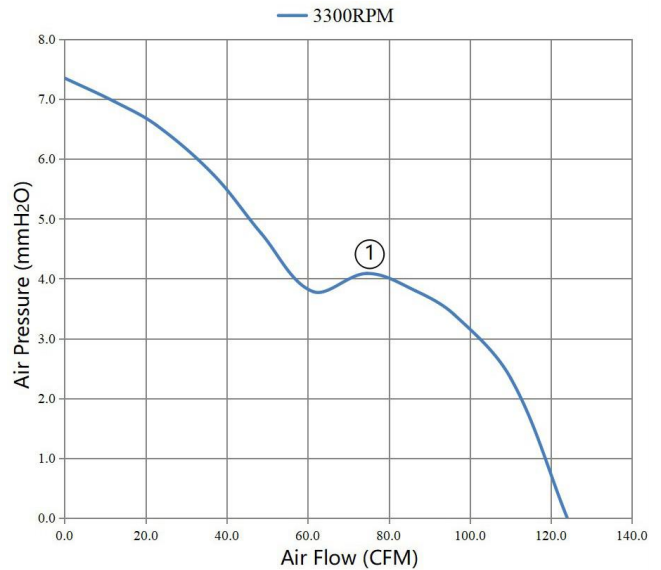
General Specifications

- Impeller: Plastic(Black)94V-0
- Frame: Plastic(Black)94V-0
- Bearing: Ball Bearing
- Life Expectancy: 120000hrs at 40°C
- Operating Temp: -10°C -70 °C
- Wire/Terminal type: According to the customer's requests
- Mass Weight: 320g (Ref)
- IP Protection Level: IP50-IP56

Mounting Panel Cut-outs



Performance P&Q Curves



Model	Voltage (VDC)	Current (A)	Power (W)	Speed (RPM)	Air Flow (CFM)	AirFlow (m ³ /h)	Air Pressure (mmH ₂ O)	Noise (dBA)	Curve
A1238BBLNG2300SR	12	0.5	6	3300	124	210.18	7.35	45.0-50.0	1

Contact: Ellen / 1 408 817 0141 Email: Ellensun@frd-corp.com Web: <http://en.elepeak.com/>
 Add USA: 1551 McCarthy Blvd ste 101, Milpitas, Ca 95035, USA
 Thailand: 82/1 Moo 2 T-Park, Tambol Panthong, Amphur Panthong, Chon Buri 20160