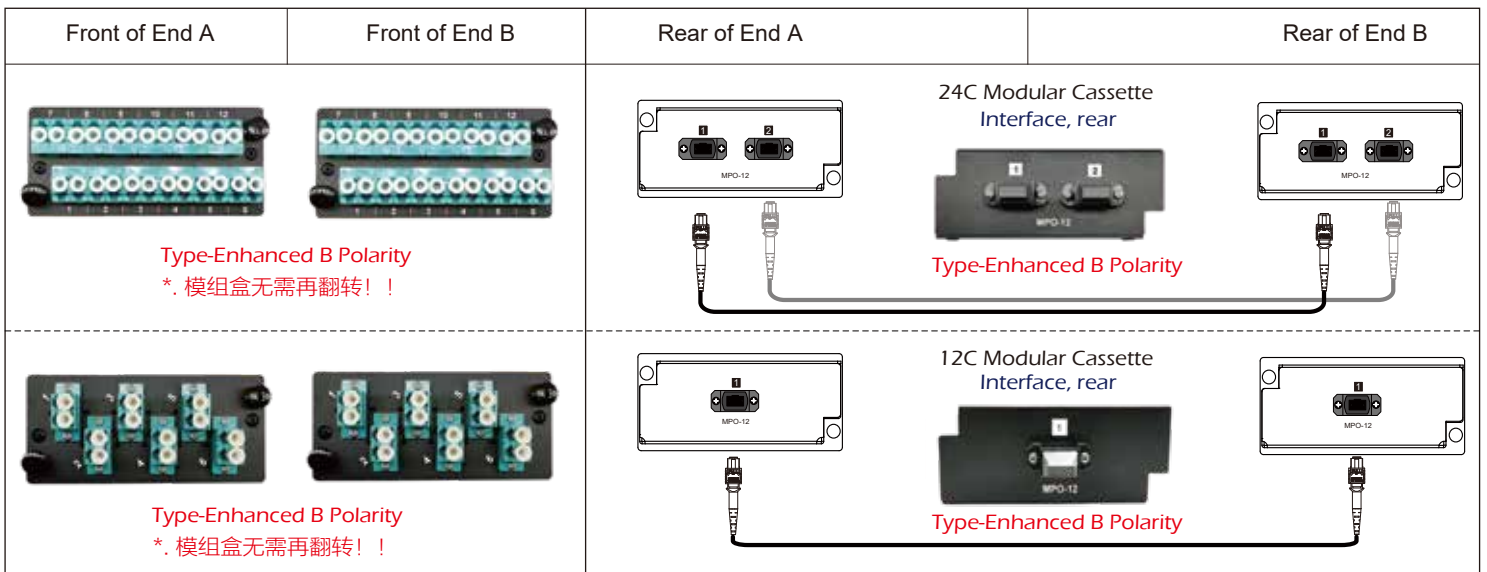
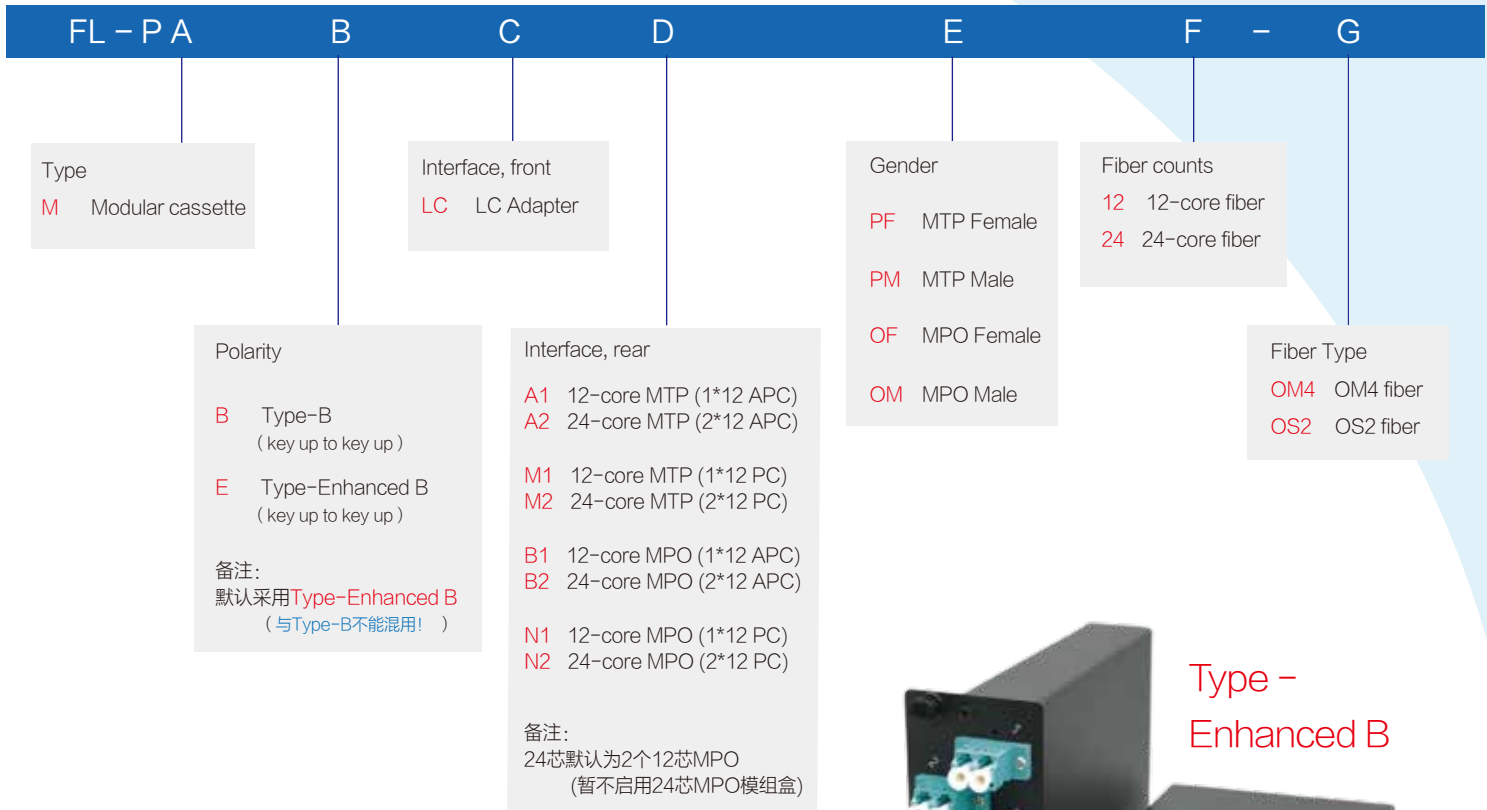


模组盒编码规则



Item	Reference	MPO-SM(APC)	MPO-MM(PC)	LC-SM(UPC)	LC-MM(UPC)
		Low Loss	Low Loss	Low Loss	Low Loss
Insertion Loss	IEC61300-3-4	< 0.35dB	< 0.35dB	< 0.15dB	< 0.15dB
Return Loss	IEC61300-3-6	> 60dB	> 20dB	> 55dB	> 35dB