

提供最有竞争力的传动解决方案和服务，持续为客户创造最大价值！  
We always provide the most competitive drive solutions and services,  
continue to create the maximum value for customers!



### 尤尼德（杭州）机械有限公司 YND (HANGZHOU) MACHINERY CO., LTD.

地址: 中国·浙江 杭州市余杭区未来科技城文一西路1378号  
1378 West Wenyi Road, Future Technology City, Yuhang District,  
Hangzhou City, Zhejiang Province, China.  
电话/TEL: 0086-0571-87386872 0086-0571-88613361  
0-18806770015  
传真/FAX: 0086-0571-87386872 0086-0571-88613661  
网址/HTTP: //www.yndgearbox.com  
邮箱/E-mail: sales1@yndmachinery.com

#### 北京办事处 Beijing Office

地址: 北京市海淀区新都公寓  
Xindu Apartment, Haidian District, Beijing  
电话/TEL: 0086-010-82955707  
0-17794588868

#### 山东办事处 Shandong Office

地址: 山东省淄博市高新技术开发区裕民路268号  
No.268, Yumin Road, High-Tech Zone, Zibo City,  
Shandong  
电话/TEL: 0086-0533-7747 888  
0-17764550541  
传真/FAX: 0086-0533-7868 118

#### 广东办事处 Guangdong Office

地址: 深圳市宝安区自由路愉盛综合大厦  
Yusheng Comprehensive Building, Free Road,  
Bao'an District, Shenzhen  
电话/TEL: 0-18958075595

#### 郑州办事处 Zhengzhou Office

地址: 郑州市高新区玉兰街16号龙汇国际  
Longhui Interational, No.16, Yulan Sterrt,  
High-tech Zone, Zhengzhou  
电话/TEL: 0086-0371-63294858 55059702  
0-17764584685

#### 湖南办事处 Hunan Office

地址: 湖南省长沙市芙蓉区张公岭龟山路410号  
No.410, Guishan Road, Zhanggongling,  
Furong District, Changsha, Hunan  
电话/TEL: 0086-0731-83108109  
0-17764558808

注: 本说明书及图片等已经严格审核, 但差错过漏情况仍有可能存在; 内容说明可能会因市场因素而作技术方面的调整, 恕不另行通知。  
因此, 本公司保留最终解释权, 并说明本样本内容不能作为合同的组成部分。

Note: This product content has been looked through strictly, but mistakes neglects maybe also exist so we declare this product content isn't part of the agreement between us, and our company hold the finally explain potency. Instructions in the manual may be technically adjusted upon marker factors, and there will be no notice in advance All operations shall take the actual contract as prevail.

生产基地: 浙江杭州  
Production base: Hangzhou, Zhejiang

YND 尤尼德传动  
YND TRANSMISSION

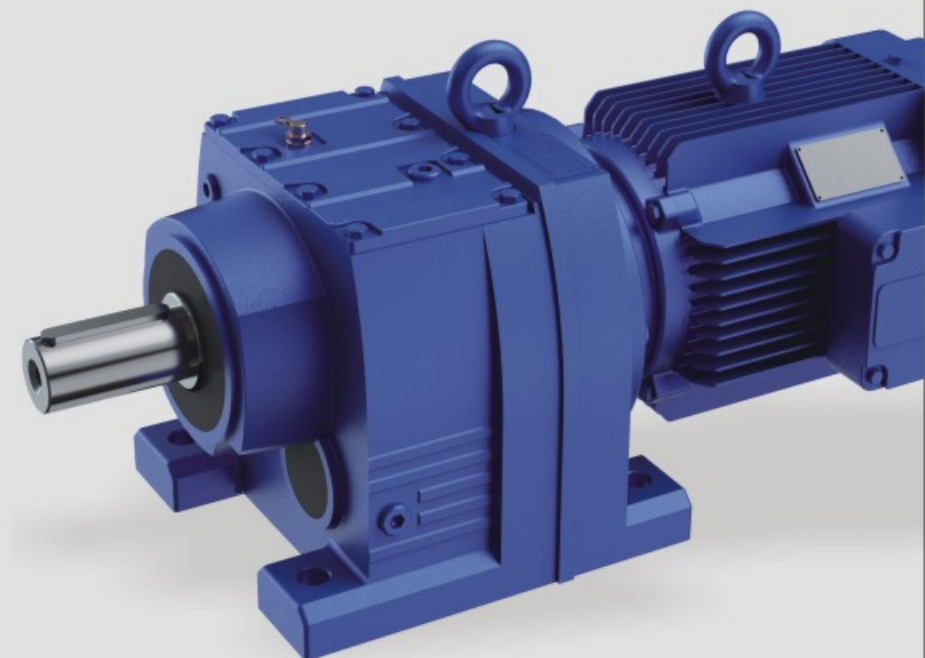
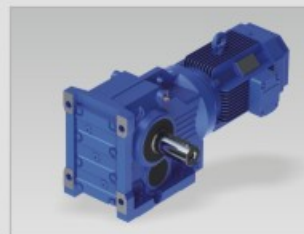
齿轮减速电机 / 转向器选型手册

尤尼德(杭州)机械有限公司



GEARED MOTOR  
STEERING DEVICE

硬齿面齿轮减速电机  
螺旋伞齿轮转向器



尤尼德(杭州)机械有限公司  
YND (Hangzhou) Machinery Co., Ltd.





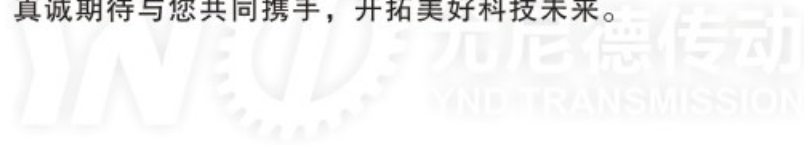
## 企业简介 Company

**尤尼德(杭州)机械有限公司**是一家集产品研发、技术服务、生产经营为一体的专业传动科技型企业。致力于提供更有竞争力的传动解决方案和服务，为客户创造更大的价值！

公司主要产品有R、S、K、F四大系列硬齿面减速机，RV/WP系列蜗轮蜗杆减速机，UD/MB系列无级减速机，P系列精密行星减速机，H/B系列大功率减速机，C/G系列齿轮马达及SWL系列丝杆升降机等。产品广泛应用于环保设备、筑路机械、仓储物流，食品机械、印刷包装、汽车检测、立体车库、石油化工、冶金、陶瓷、玻璃、印染纺织、木工机械等传动设备的各个行业。

围绕“品质至上、服务为先”的战略方针，认真贯彻执行国际质量认证体系，核心产品自主研发并获得多项“国家知识产权局”授予的专利称号，部分产品已列入省技术创新计划项目之中。公司与多家科研机构建立战略合作，并列入“杭州师范大学”教学科研实习基地。年取得了企业自营进出口权，产品远销欧美、东南亚等国家和地区。

“尤尼德”自创立至今始终遵循“诚信、专业、高效、共赢”的科学的和管理和服务理念，真诚期待与您共同携手，开拓美好科技未来。



**YND (Hangzhou) Machinery Co., Ltd.** is a professional transmission technology enterprise integrating product research and development, technical services, production and operation. Committed to providing more competitive transmission solutions and services, to create greater value for customers!

The company's main products are R, S, K, F series geared motor, RV/WP series worm reducer, UD/MB series stepless reducer, P series precision planetary reducer, H/B series high-power reducer, C/G series gear motor and SWL series screw elevator. Products are widely used in environmental protection equipment, road building machinery, storage and logistics, food machinery, printing and packaging, automotive testing, three-dimensional garage, petrochemical, metallurgy, ceramics, glass, printing and dyeing textile, woodworking machinery and other transmission equipment industries.

Around the strategic policy of "quality first, service first", we earnestly implement the international quality certification system. The core products are independently developed and awarded many patent titles by the State Intellectual Property Office. Some of the products have been listed in the provincial technical innovation program. The company has established strategic cooperation with several scientific research institutions and has been listed as the teaching and scientific research practice base of Hangzhou Normal University. In, the company gained the right of self import and export, and its products were exported to Europe and America, Southeast Asia and other countries and regions.

Since its inception, YND has always followed the scientific management and service concept of "integrity, professionalism, efficiency and win-win" and sincerely looks forward to working with you to open up a bright future of science and technology.



CORPORATE CONCEPT

**诚：**推心置腹，言而有信；精诚所至，始终如一；  
**志：**志不立，天下无可成之事；有志者，事竟成；  
**恒：**锲而不舍，金石可镂；欲稍得成，从恒下手；  
**专：**凡为一事，事皆贵专；以专而精，以纷而散；  
**实：**实事求是，精益求精，差之毫厘，失之千里；  
**勤：**刻苦求进，勤学善思；懒惰误己，勤奋兴财；

**Sincerity:** Put your heart in your mouth, believe in your words, and be honest and consistent.

**Ambition:** Nothing can be done without ambition; if there is a will, there will be competition.

**Eternal:** Perseverance, stone can be carved; want to get a little bit, from constant hands.

**Profession:** Everything is for the sake of one thing; it is specialized and refined, and scattered in different ways.

**Pragmatism:** Seeking truth from facts, strives for perfection, and makes a difference.

**Industrious:** Diligently seeking progress, diligent learning and good thinking; laziness and wrong self, diligence and prosperity.

## 产品介绍 Product introduction

### R、S、K、F系列斜齿轮减速电机 R,S,K,F series helical gear motors



R系列斜齿轮减速电机  
R series helical geared motor



S系列斜齿轮-蜗轮蜗杆减速电机  
S series helical-worm geared motor



K系列斜齿轮-伞齿轮减速电机  
K series helical-bevel geared motor



F系列平行轴-斜齿轮减速电机  
F series parallel shaft-helical geared motor

| 通用减速机系列<br>General reducer series   |           |
|---|-----------|
| <b>安装方式：</b> 底角，法兰，扭力臂。<br><b>Mounting arrangements:</b><br>foot, flange, torque arm. |           |
| 功率<br>Power(KW)   | 0.12-200  |
| 速比<br>Ratio   | 1.3-33000 |
| 最大输出扭矩<br>Output torque(KN.M)   | top to 50 |

### HB系列重载齿轮箱 HB series heavy duty gearboxes



H系列斜齿轮减速机  
H series helical gearbox



B系列斜齿轮-锥齿轮减速机  
B series bevel-helical gearbox

| 通用减速机系列<br>General reducer series.   |            |
|--|------------|
| 模块化设计，安装方式多样。可配置逆止器单向传动，以及串联辅助传动。<br>Highly standard modular designed. No strict limitation to the mounting arrangement. Can be configured to one-way transmission by backstop. Available to install with auxiliary drive. |            |
| 功率<br>Power(KW)  | 4-6000     |
| 速比<br>Ratio  | 1.25-450   |
| 最大输出扭矩<br>Output torque(KN.M)  | top to 950 |



产品介绍  
Product introduction

重载行星减速机 Heavy duty planetary reducers



N系列行星减速机  
N series planetary reducer



P系列行星减速机  
P series planetary reducer

| 通用减速机系列<br>General reducer series     |             |
|---------------------------------------|-------------|
| 单位承载能力极高。<br>Very high unit capacity. |             |
| 功率<br>Power(KW)                       | 0.37-12000  |
| 速比<br>Ratio                           | 25-4000     |
| 最大输出扭矩<br>Output torque(KN.M)         | top to 2600 |

橡塑行业专用减速机 Special reducers for rubber and plastic industry



单螺杆挤出机减速机  
Special reducer for single screw extruder



压延机专用减速机  
Special reducer for calendaring machine



平双螺杆挤出机减速机  
Special reducer for twin screws extruder



密炼机专用减速机  
Special reducer for internal mixer

| 专用减速机系列<br>Special reducer series.   |            |
|--|------------|
| 常用于橡塑行业炼胶，挤出，压延设备。<br>Commonly used in rubber mixer, extruder, calendaring machine of rubber and plastic industry. |            |
| 功率<br>Power(KW)  | 55-2500    |
| 速比<br>Ratio  | 8-35       |
| 最大输出扭矩<br>Output torque(KN.M)  | top to 300 |

蜗轮蜗杆减速机 Worm gear motors



RV系列蜗轮减速机  
RV series worm gear motor



VF系列蜗轮减速机  
VF series worm gear motor



WP系列蜗轮减速机  
WP series worm gear motor



UD系列无极变速器  
UD series variable speed machine



T系列螺旋伞齿轮转向箱  
T series spiral bevel gear reducer



SWL系列蜗轮丝杆升降机  
SWL series worm gear screw reducer

| 通用减速机系列<br>General reducer series  |             |
|--|-------------|
| 铝合金壳体的蜗轮传动减速机。<br>结构紧凑，多方位安装，免维护。<br>Aluminum alloy shell, compact structure, multiple installation, maintenance free. |             |
| 功率<br>Power(KW)  | 0.06-15     |
| 速比<br>Ratio  | 7.5-100     |
| 最大输出扭矩<br>Output torque(N.M)   | top to 1760 |

摆线针轮减速机 Cycloidal pinwheel reducers



BWD系列摆线减速机  
BWD series cycloidal pinwheel reducer



BLD系列摆线减速机  
BLD series cycloidal pinwheel reducer



卧式微型摆线减速机  
Horizontal micro cycloidal pinwheel reducer



立式微型摆线减速机  
Vertical micro cycloidal pinwheel reducer

| 通用减速机系列<br>General reducer series                                       |           |
|---|-----------|
| 结构紧凑，通过摆线针轮传递动力。<br>Compact structure. Cycloidal pinwheel transmission. |           |
| 功率<br>Power(KW)   | 0.12-90   |
| 速比<br>Ratio   | 7-650000  |
| 最大输出扭矩<br>Output torque(KN.M)   | top to 30 |

圆柱齿轮减速机 Cylindrical gear reducers



ZDY系列圆柱齿轮减速机  
ZDY series cylindrical gear reducer



ZLY系列圆柱齿轮减速机  
ZLY series cylindrical gear reducer



ZSY系列圆柱齿轮减速机  
ZSY series cylindrical gear reducer



ZFY系列圆柱齿轮减速机  
ZFY series cylindrical gear reducer

| 通用减速机系列<br>General reducer series   |            |
|---|------------|
| 按行业标准生产，并可配置逆止器单向传动以及串联辅助传动。<br>Can be configured to one-way transmission by backstop. Available to install with auxiliary drive. |            |
| 功率<br>Power(KW)   | 1.1-6000   |
| 速比<br>Ratio   | 1.25-500   |
| 最大输出扭矩<br>Output torque(KN.M)   | top to 520 |



产品介绍  
Product introduction

三项异步电机 Three-phase asynchronous motors



YE2系列高效电机  
YE2 series high efficiency motor



YBX3系列防爆电机  
YBX3 series premium efficiency flameproof motor



YEJ系列制动电机  
YEJ series braking motor



YVF2系列变频电机  
YVF2 series variable frequency motor

| 通用电动机系列<br>General motor series           |          |
|---|----------|
| 常规工业动力。<br>Conventional industrial power. |          |
| 功率<br>Power(KW)                           | 0.12-315 |
| 机座号<br>Stand No.                          | 63-355   |
| 电源频率(Hz)<br>Power frequency               | 50/60    |

微型减速电机 Micro and small gear motors



CH系列减速电机  
CH series gear motor



CV系列减速电机  
CV series gear moto



直流减速电机  
Direct current gear motor

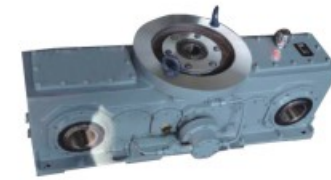


精密行星减速机  
High precision planetary reducer

| 通用减速机系列<br>General reducer series  |             |
|--|-------------|
| 质量轻, 噪音低, 效率高, 寿命长等。<br>Light weight, low noise, high efficiency, long life etc. |             |
| 功率<br>Power(KW)  | 0.006-7.5   |
| 速比<br>Ratio  | 2-200       |
| 最大输出扭矩<br>Output torque(N.M)   | top to 7400 |

产品介绍  
Product introduction

双轴桨叶式混合机专用减速机 Special reducer for twin shafts paddle mixe



双轴桨叶式混合机专用减速机  
Special reducer for twin shafts paddle mixer



双轴桨叶式混合机  
Twin shafts paddle mixer

| 专用减速机系列<br>Special reducer series.   |       |
|--|-------|
| 该款减速机专为双轴桨叶式混合机设计, 减速机与混合机直联, 最大程度的节省了安装空间和生产成本, 因而设备运行更加平稳, 高效。<br>The reducer is designed for twin shafts paddle mixer, connect with the mixer directly, saving the installation space and production cost at maximum degree, so the equipment runs more smoothly and efficiently. |       |
| 功率<br>Power(KW)  | 15-90 |
| 速比<br>Ratio  | 33-50 |
| 最大输出扭矩<br>Output torque(KN.M)  | 70    |

焊接滚轮架专用减速机 Special reducer for welding rotator



焊接滚轮架专用减速机  
Special reducer for welding rotator



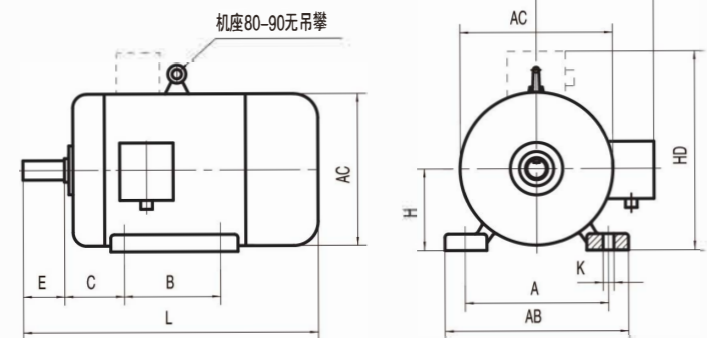
焊接滚轮架  
Welding rotator

| 专用减速机系列<br>Special reducer series   |          |
|---|----------|
| 适用于自调式双驱动滚轮架, 移动式焊接滚轮架等各种自动焊接的滚轮架驱动。<br>The reducers apply to bolt adjustable rotator, self aligning rotator, lead screw adjustable rotator, and fit up rotator, etc. |          |
| 功率<br>Power(KW)   | 0.18-22  |
| 速比<br>Ratio   | 300-3400 |
| 最大输出扭矩<br>Output torque(KN.M)   | 180      |

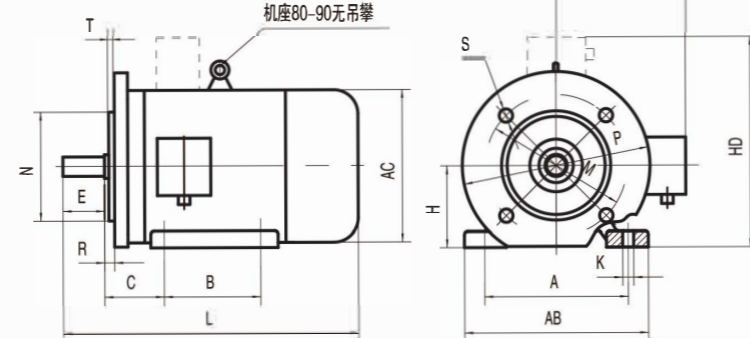


## 外形安装尺寸

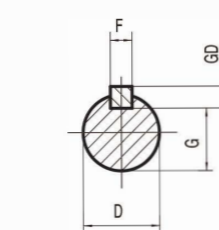
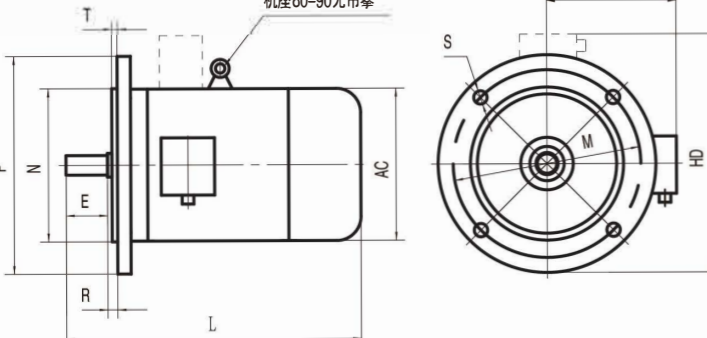
B3 机座带底脚、端盖无凸缘



B35 机座带底脚、端盖有凸缘



B5 机座不带底脚、端盖有凸缘



注：R为凸缘安装平面至轴伸台阶平面的距离。

| 机座号  | 极数  | 安装尺寸 |     |     |     |    |     |      |      |    |     |     |     |     |   | 外形尺寸  |     |     |     |     |     |
|------|-----|------|-----|-----|-----|----|-----|------|------|----|-----|-----|-----|-----|---|-------|-----|-----|-----|-----|-----|
|      |     | H    | A   | B   | C   | D  | E   | F×GD | G    | K  | T   | M   | N   | P   | R | S     | AB  | AC  | AD  | HD  | L   |
| 80   | 4、6 | 80   | 125 | 110 | 50  | 19 | 40  | 6×6  | 15.5 | 10 | 3.5 | 165 | 130 | 200 | 0 | 4-Φ12 | 165 | 175 | 145 | 220 | 290 |
| 90S  | 4、6 | 90   | 140 |     | 56  | 24 | 50  | 8×7  | 20   |    |     |     |     |     |   |       | 0   | 0   | 0   | 180 | 195 |
| 90L  | 4、6 | 100  | 160 | 125 | 63  | 28 | 60  |      | 24   | 12 | 4   | 215 | 180 | 250 | 0 | 4-Φ15 | 205 | 215 | 180 | 270 | 380 |
| 100L | 4、6 |      |     | 70  | 0   |    |     | 0    |      |    |     |     |     |     |   |       | 0   | 230 | 240 | 190 | 300 |
| 112M | 4、6 | 112  | 190 | 140 | 89  | 38 | 80  | 10×8 | 33   | 0  | 265 | 230 | 300 | 0   | 0 | 270   | 275 | 210 | 345 | 475 |     |
| 132S | 4、6 | 132  | 216 | 178 | 108 | 42 | 110 | 12×8 | 37   | 15 | 5   | 300 | 250 | 350 | 0 | 4-Φ19 | 320 | 330 | 255 | 420 | 610 |
| 132M | 4、6 |      |     | 254 |     |    |     |      |      |    |     |     |     |     |   |       |     |     |     |     | 0   |
| 160M | 4、6 | 160  | 254 | 210 | 108 | 42 | 110 | 12×8 | 37   | 15 | 5   | 300 | 250 | 350 | 0 | 4-Φ19 | 320 | 330 | 255 | 420 | 610 |
| 160L | 4、6 |      |     | 254 |     |    |     |      |      |    |     |     |     |     |   |       |     |     |     |     | 0   |

## TYBX系列三相永磁交流同步电动机

### 概述

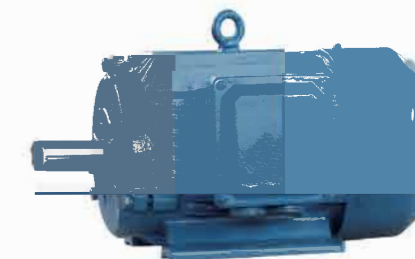
TYBX系列三相永磁交流同步电动机吸取了国内外同类产品的先进技术，通过CAD设计，采用高性能稀土永磁材料进行加工制造，具有较高的运转效率和功率因数，配合开环控制方式，运行时实现恒转矩输出，无速差，显著提高传动系统整体的稳定性。目前已广泛应用于化纤、纺织、机械、玻璃、造纸、包装、食品、印刷、印染等行业的调速传动设备上。

### 主要特点

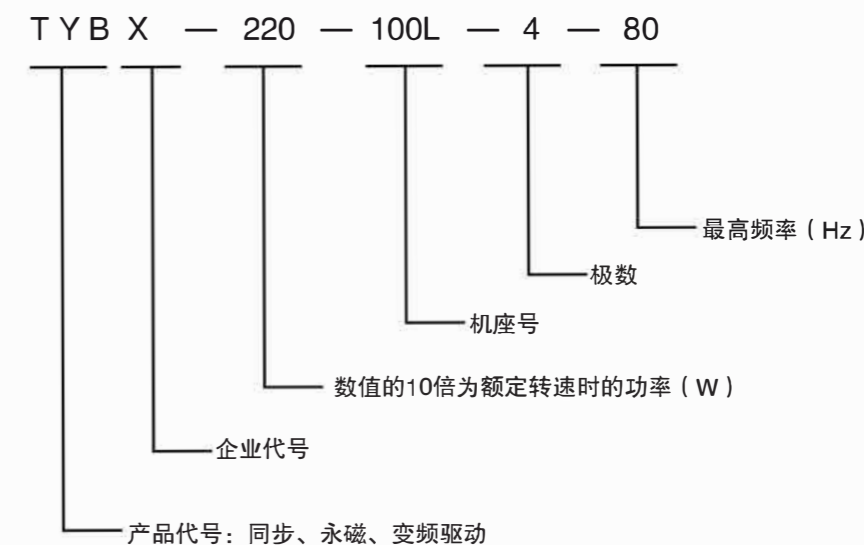
- 运转精度高：转速与外加频率同步，克服了异步电动机转速随外加负载变化而变化的弱点。
- 高性能、高精度：采用稀土永磁材料，磁场强度大，起动转矩大，起动电流小。与异步变频调速相比，具有调速范围大，调速特性硬，可实现开环调速。
- 效率、功率因数高，节能效果明显：由于转子采用永磁体，既无铜耗又无铁耗，其效率比同容量异步电动机提高5~12%；电动机无需从电网吸取激磁电流，功率因数接近1。
- 异步起动，同步运行，通用性强：可在工频状态下直接起动运行，在不需要调速的情况下替代异步电动机；外观结构与异步电动机相同，通用性强，满足市场对传动系统的兼容性需求。
- 控制系统简单、可靠：采用开环控制，减少故障环节，降低成本；与变频控制、计算机联网组成全自动调速控制系统，性能优于传统的其他类调速电机。
- 适应性强：可用于各种恶劣工况，甚至长期低速运转、频繁起动等场合。

### 使用条件

|        |             |      |  |
|--------|-------------|------|--|
| 环境温度   | -15℃ ~ +40℃ | 绝缘等级 | F  |
| 海拔高度   | ≤1000米      | 防护等级 | IP54   |
| 空气相对湿度 | <90%        | 冷却方式 | IC411  |
| 额定电压   | 380V        | 接法   | 3kW及以下为Y接<br>3kW以上为Δ接                        |
| 额定频率   | 50Hz        | 特殊定制 | 安装方式：电压等级；基准频率；<br>防护等级；绝缘等级；冷却方式；<br>法兰轴伸形式 |
| 工作制    | S1连续        |      |  |



### 型号说明





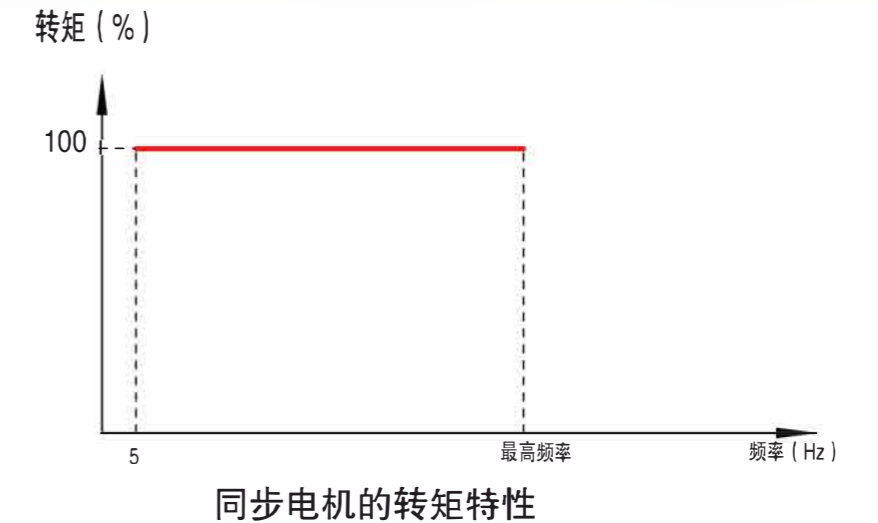
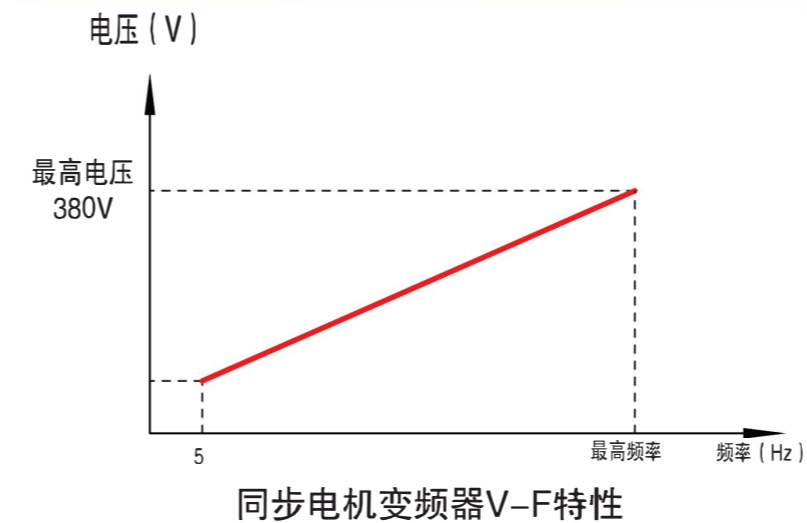


TYBX系列三相永磁同步电动机主要技术数据

| 型号规格                | 额定功率<br>(kW) | 额定频率<br>(Hz) | 额定电压<br>(V) | 额定电流<br>(A) | 额定转矩<br>(N.m) | 功率范围<br>(kW) | 频率范围<br>(Hz) | 电压范围<br>(V) | 转速范围<br>(r/min) | 重量<br>(kg) |
|---------------------|--------------|--------------|-------------|-------------|---------------|--------------|--------------|-------------|-----------------|------------|
| TYBX-30-80M-4-82    | 0.3          | 50           | 230         | 1.5         | 1.9           | 0.04-0.5     | 6-82         | 28-380      | 180-2460        | 20         |
| TYBX-37-80M-4-50    | 0.37         | 50           | 380         | 1.3         | 2.4           | 0.037-0.37   | 5-50         | 38-380      | 150-1500        | 20         |
| TYBX-50-80M-4-82    | 0.5          | 50           | 230         | 1.9         | 3.2           | 0.06-0.82    | 6-82         | 28-380      | 180-2460        | 20         |
| TYBX-55-80M-4-50    | 0.55         | 50           | 380         | 1.5         | 3.5           | 0.055-0.55   | 5-50         | 38-380      | 150-1500        | 20         |
| TYBX-55-90S-4-100   | 0.55         | 50           | 190         | 2.7         | 3.5           | 0.11-1.1     | 10-100       | 38-380      | 300-3000        | 24         |
| TYBX-55-90S-4-110   | 0.55         | 50           | 170         | 2.8         | 3.5           | 0.11-1.2     | 10-110       | 35-380      | 300-3300        | 24         |
| TYBX-75-80M-4-50    | 0.75         | 50           | 380         | 2.0         | 4.7           | 0.075-0.75   | 5-50         | 38-380      | 150-1500        | 20         |
| TYBX-75-80M-4-60    | 0.75         | 50           | 315         | 2.3         | 4.7           | 0.09-0.9     | 6-60         | 38-380      | 180-1800        | 20         |
| TYBX-75-90S-4-80    | 0.75         | 50           | 240         | 2.8         | 4.7           | 0.09-1.2     | 6-80         | 28-380      | 180-2400        | 24         |
| TYBX-75-90L-4-100   | 0.75         | 50           | 190         | 2.9         | 4.7           | 0.15-1.5     | 10-100       | 38-380      | 300-3000        | 28         |
| TYBX-100-90S-4-50   | 1            | 50           | 380         | 2.7         | 6.3           | 0.1-1        | 5-50         | 38-380      | 150-1500        | 24         |
| TYBX-100-90L-4-80   | 1            | 50           | 240         | 3.0         | 6.3           | 0.12-1.6     | 6-80         | 28-380      | 180-2400        | 28         |
| TYBX-110-90S-4-50   | 1.1          | 50           | 380         | 2.7         | 7.0           | 0.11-1.1     | 5-50         | 38-380      | 150-1500        | 24         |
| TYBX-110-90L-4-60   | 1.1          | 50           | 315         | 3.2         | 7.0           | 0.13-1.32    | 6-60         | 38-380      | 180-1800        | 28         |
| TYBX-110-90L-4-80   | 1.1          | 50           | 240         | 4.4         | 7.0           | 0.13-1.76    | 6-80         | 28-380      | 180-2400        | 28         |
| TYBX-110-100L-4-100 | 1.1          | 50           | 190         | 5.2         | 7.0           | 0.22-2.2     | 10-100       | 38-380      | 300-3000        | 40         |
| TYBX-125-90L-4-60   | 1.25         | 50           | 315         | 3.4         | 7.9           | 0.15-1.5     | 6-60         | 38-380      | 180-1800        | 28         |
| TYBX-138-100L-4-80  | 1.38         | 50           | 240         | 4.5         | 8.7           | 0.16-2.2     | 6-80         | 28-380      | 180-2400        | 40         |
| TYBX-150-90L-4-50   | 1.5          | 50           | 380         | 2.9         | 9.5           | 0.15-1.5     | 5-50         | 38-380      | 150-1500        | 28         |
| TYBX-150-90L-4-60   | 1.5          | 50           | 315         | 3.5         | 9.5           | 0.18-1.8     | 6-60         | 38-380      | 180-1800        | 28         |
| TYBX-150-100L-4-80  | 1.5          | 50           | 240         | 5.4         | 9.5           | 0.18-2.4     | 6-80         | 28-380      | 180-2400        | 40         |
| TYBX-150-100L-4-100 | 1.5          | 50           | 190         | 6.2         | 9.5           | 0.3-3        | 10-100       | 38-380      | 300-3000        | 40         |
| TYBX-160-100L-4-80  | 1.6          | 50           | 240         | 5.1         | 10.2          | 0.19-2.56    | 6-80         | 28-380      | 180-2400        | 40         |
| TYBX-180-100L-4-80  | 1.8          | 50           | 240         | 5.5         | 11.4          | 0.22-2.88    | 6-80         | 28-380      | 180-2400        | 40         |
| TYBX-190-100L-4-80  | 1.9          | 50           | 240         | 5.8         | 12.0          | 0.23-3       | 6-80         | 28-380      | 180-2400        | 40         |
| TYBX-200-112M-4-100 | 2            | 50           | 190         | 8.5         | 12.7          | 0.4-4        | 10-100       | 38-380      | 300-3000        | 46         |
| TYBX-220-100L-4-50  | 2.2          | 50           | 380         | 5.2         | 14.0          | 0.22-2.2     | 5-50         | 38-380      | 150-1500        | 40         |
| TYBX-220-100L-4-60  | 2.2          | 50           | 315         | 5.5         | 14.0          | 0.26-2.64    | 6-60         | 38-380      | 180-1800        | 40         |
| TYBX-220-100L-4-80  | 2.2          | 50           | 240         | 6.8         | 14.0          | 0.26-3.52    | 6-80         | 28-380      | 180-2400        | 40         |
| TYBX-220-100L-4-100 | 2.2          | 50           | 190         | 9.2         | 14.0          | 0.44-4.4     | 10-100       | 38-380      | 300-3000        | 45         |
| TYBX-250-100L-4-50  | 2.5          | 50           | 380         | 5.5         | 15.9          | 0.25-2.5     | 5-50         | 38-380      | 150-1500        | 40         |
| TYBX-250-100L-4-60  | 2.5          | 50           | 315         | 6.2         | 15.9          | 0.3-3        | 6-60         | 38-380      | 180-1800        | 40         |
| TYBX-300-100L-4-50  | 3            | 50           | 380         | 6.2         | 19.1          | 0.3-3        | 5-50         | 38-380      | 150-1500        | 40         |
| TYBX-300-100L-4-60  | 3            | 50           | 315         | 7.0         | 19.1          | 0.36-3.6     | 6-60         | 38-380      | 180-1800        | 40         |
| TYBX-300-112M-4-80  | 3            | 50           | 240         | 9.5         | 19.1          | 0.36-4.8     | 6-80         | 28-380      | 180-2400        | 46         |
| TYBX-325-112M-4-80  | 3.25         | 50           | 240         | 10.0        | 20.7          | 0.39-5.2     | 6-80         | 28-380      | 180-2400        | 46         |
| TYBX-370-100L-4-50  | 3.7          | 50           | 380         | 7.7         | 23.5          | 0.37-3.7     | 5-50         | 38-380      | 150-1500        | 40         |
| TYBX-400-112M-4-50  | 4            | 50           | 380         | 9.0         | 25.5          | 0.4-4        | 5-50         | 38-380      | 150-1500        | 46         |
| TYBX-400-112M-4-60  | 4            | 50           | 315         | 9.5         | 25.5          | 0.48-4.8     | 6-60         | 38-380      | 180-1800        | 46         |
| TYBX-400-132M-4-80  | 4            | 50           | 240         | 15.0        | 25.5          | 0.48-6.4     | 6-80         | 28-380      | 180-2400        | 80         |
| TYBX-550-132S-4-50  | 5.5          | 50           | 380         | 11.0        | 35.0          | 0.55-5.5     | 5-50         | 38-380      | 150-1500        | 70         |
| TYBX-550-132M-4-60  | 5.5          | 50           | 315         | 12.5        | 35.0          | 0.66-6.6     | 6-60         | 38-380      | 180-1800        | 80         |
| TYBX-750-132M-4-50  | 7.5          | 50           | 380         | 15.0        | 47.8          | 0.75-7.5     | 5-50         | 38-380      | 150-1500        | 80         |
| TYBX-850-160M-4-60  | 8.5          | 50           | 315         | 22.0        | 54.0          | 1.02-10.2    | 6-60         | 38-380      | 180-1800        | 125        |
| TYBX-1100-160M-4-50 | 11           | 50           | 380         | 22.0        | 70.0          | 1.1-11       | 5-50         | 38-380      | 150-1500        | 125        |
| TYBX-1500-160L-4-50 | 15           | 50           | 380         | 27.0        | 96.0          | 1.5-15       | 5-50         | 38-380      | 150-1500        | 145        |

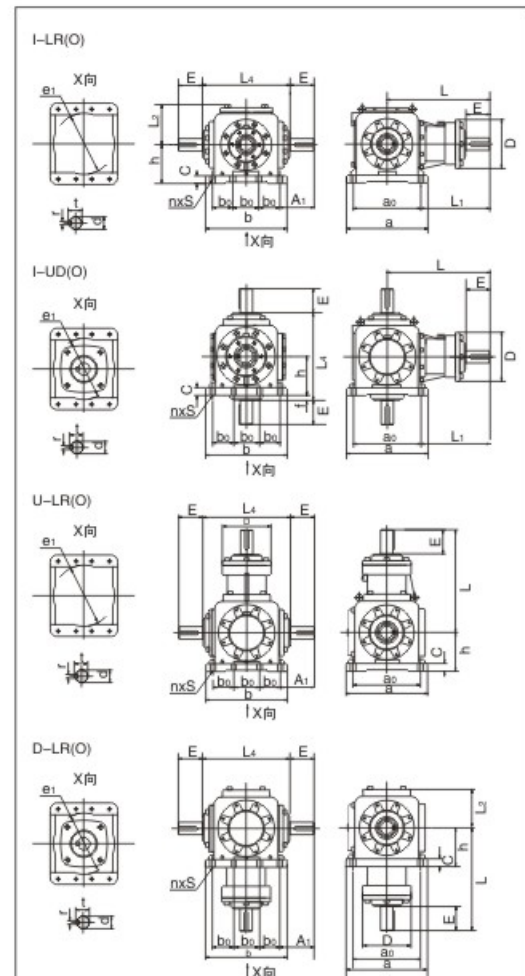
TYBX系列三相永磁同步电动机主要技术数据

| 型号规格                | 额定功率<br>(kW) | 额定频率<br>(Hz) | 额定电压<br>(V) | 额定电流<br>(A) | 额定转矩<br>(N.m) | 功率范围<br>(kW) | 频率范围<br>(Hz) | 电压范围<br>(V) | 转速范围<br>(r/min) | 重量<br>(kg) |
|---------------------|--------------|--------------|-------------|-------------|---------------|--------------|--------------|-------------|-----------------|------------|
| TYBX-37-80M-6-50    | 0.37         | 50           | 380         | 1.2         | 3.5           | 0.037-0.37   | 5-50         | 38-380      | 100-1000        | 20         |
| TYBX-37-80M-6-100   | 0.37         | 50           | 190         | 1.6         | 3.5           | 0.074-0.74   | 10-100       | 38-380      | 200-2000        | 20         |
| TYBX-55-80M-6-50    | 0.55         | 50           | 380         | 1.7         | 5.3           | 0.055-0.55   | 5-50         | 38-380      | 100-1000        | 20         |
| TYBX-55-90S-6-100   | 0.55         | 50           | 190         | 2.5         | 5.3           | 0.11-1.1     | 10-100       | 38-380      | 200-2000        | 24         |
| TYBX-60-90S-6-100   | 0.6          | 50           | 190         | 3.3         | 5.7           | 0.12-1.2     | 10-100       | 38-380      | 200-2000        | 24         |
| TYBX-60-90L-6-150   | 0.6          | 50           | 125         | 4.0         | 5.7           | 0.12-1.8     | 10-150       | 25-380      | 200-3000        | 28         |
| TYBX-75-90L-6-100   | 0.75         | 50           | 190         | 3.5         | 7.1           | 0.15-1.5     | 10-100       | 38-380      | 200-2000        | 28         |
| TYBX-75-100L-6-150  | 0.75         | 50           | 125         | 5.8         | 7.1           | 0.15-2.25    | 10-150       | 25-380      | 200-3000        | 40         |
| TYBX-80-90S-6-80    | 0.8          | 50           | 240         | 3.3         | 7.6           | 0.1-1.28     | 6-80         | 28-380      | 120-1600        | 24         |
| TYBX-80-90L-6-100   | 0.8          | 50           | 190         | 3.5         | 7.6           | 0.16-1.6     | 10-100       | 38-380      | 200-2000        | 28         |
| TYBX-150-90L-6-50   | 1.5          | 50           | 380         | 3.0         | 14.3          | 0.15-1.5     | 5-50         | 38-380      | 100-1000        | 28         |
| TYBX-220-100L-6-50  | 2.2          | 50           | 380         | 4.5         | 21.0          | 0.22-2.2     | 5-50         | 38-380      | 100-1000        | 40         |
| TYBX-220-100L-6-60  | 2.2          | 50           | 315         | 5.6         | 21.0          | 0.26-2.64    | 6-60         | 38-380      | 120-1200        | 40         |
| TYBX-220-112M-6-50  | 2.2          | 50           | 380         | 4.0         | 21.0          | 0.22-2.2     | 5-50         | 38-380      | 100-1000        | 46         |
| TYBX-300-112M-6-50  | 3            | 50           | 380         | 6.2         | 28.6          | 0.3-3        | 5-50         | 38-380      | 100-1000        | 46         |
| TYBX-300-112M-6-80  | 3            | 50           | 240         | 11.0        | 28.6          | 0.36-4.8     | 6-80         | 28-380      | 120-1600        | 46         |
| TYBX-300-132S-6-50  | 3            | 50           | 380         | 6.0         | 28.6          | 0.3-3        | 5-50         | 38-380      | 100-1000        | 70         |
| TYBX-370-132M-6-100 | 3.7          | 50           | 190         | 15.0        | 35.3          | 0.74-7.4     | 10-100       | 38-380      | 200-2000        | 80         |
| TYBX-400-112M-6-50  | 4            | 50           | 380         | 9.5         | 38.2          | 0.4-4        | 5-50         | 38-380      | 100-1000        | 46         |
| TYBX-550-132M-6-50  | 5.5          | 50           | 380         | 12.8        | 52.5          | 0.55-5.5     | 5-50         | 38-380      | 100-1000        | 80         |
| TYBX-750-132M-6-50  | 7.5          | 50           | 380         | 15.0        | 71.6          | 0.75-7.5     | 5-50         | 38-380      | 100-1000        | 80         |
| TYBX-1100-160M-6-50 | 11           | 50           | 380         | 22.5        | 105.0         | 1.1-11       | 5-50         | 38-380      | 100-1000        | 125        |
| TYBX-1500-160L-6-50 | 15           | 50           | 380         | 29.0        | 143.0         | 1.5-15       | 5-50         | 38-380      | 100-1000        | 145        |





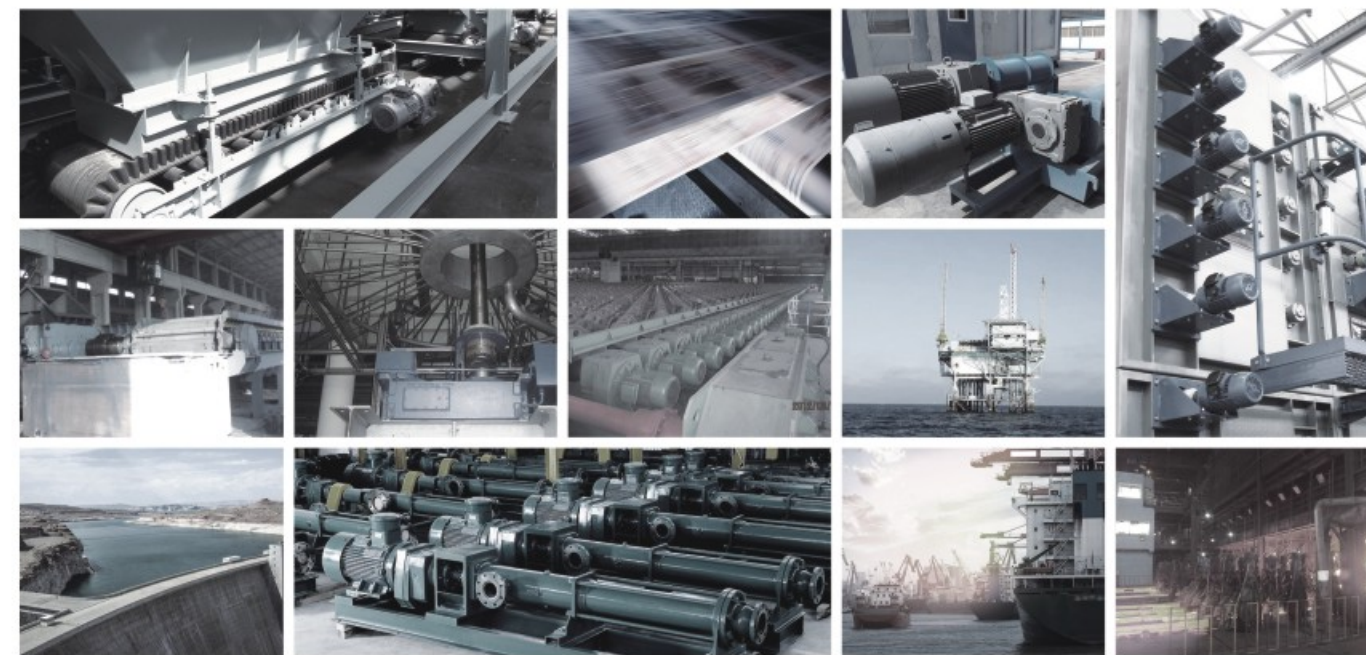
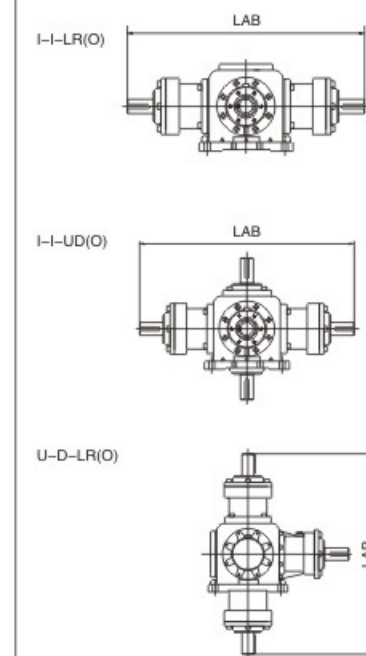
T20-T25



|          | T2   | T4    | T6    | T7    | T8    | T10   | T12   | T16   | T20    | T25    |
|----------|------|-------|-------|-------|-------|-------|-------|-------|--------|--------|
| A1       | 48   | 53.5  | 81    | 88    | 110.5 | 120   | 130   | 150   | 195    | 235    |
| a        | 100  | 155   | 190   | 210   | 235   | 285   | 340   | 390   | 490    | 580    |
| a0       | 84   | 125   | 152   | 174   | 195   | 240   | 290   | 330   | 430    | 520    |
| b        | 100  | 155   | 190   | 210   | 235   | 285   | 340   | 390   | 410    | 480    |
| b0       | 84   | 125   | 152   | 174   | 195   | 240   | 290   | 330   | 110    | 130    |
| C        | 10   | 17    | 17    | 20    | 23    | 25    | 32    | 40    | 32     | 35     |
| D        | 58   | 76    | 115   | 125   | 159   | 155   | 168   | 193   | 220    | 270    |
| d(h7)    | 15   | 19    | 25    | 32    | 40    | 45    | 50    | 60    | 72     | 85     |
| E        | 33   | 38    | 50    | 62    | 75    | 90    | 100   | 105   | 105    | 130    |
| e1(h8)x深 | 94x3 | 155x5 | 190x5 | 220x5 | 250x5 | 305x5 | 370x5 | 420x7 | 360x10 | 430x10 |
| f        | 5    | 2     | 17    | 13    | 18    | 10    | 0     | 10    | 10     | 10     |
| h        | 52   | 76    | 90    | 100   | 115   | 140   | 175   | 200   | 245    | 290    |
| L        | 124  | 180   | 222   | 265   | 308   | 360   | 415   | 455   | 545    | 660    |
| L1       | 82   | 117.5 | 146   | 178   | 210.5 | 240   | 270   | 290   | 330    | 400    |
| L2       | 52   | 76    | 87    | 97    | 114.5 | 133   | 160   | 186   | 217    | 255    |
| L4       | 114  | 156   | 214   | 226   | 266   | 300   | 350   | 420   | 510    | 600    |
| LAB      | 248  | 360   | 444   | 530   | 616   | 720   | 830   | 910   | 1090   | 1324   |
| n        | 4    | 4     | 4     | 4     | 4     | 4     | 4     | 4     | 8      | 8      |
| r        | 5    | 6     | 8     | 10    | 12    | 14    | 14    | 18    | 20     | 22     |
| s        | 9    | 10.5  | 14    | 14    | 14    | 16    | 21    | 25    | 21     | 24     |
| t        | 17   | 21.5  | 28    | 35    | 43    | 48.5  | 53.5  | 64    | 76.5   | 90     |

注意：当速比是4:1和5:1时，纵轴尺寸不变，横轴尺寸更改如下：  
 Note: When ratio is 4:1 and 5:1, dimension of output shaft is changeless, but that of input is changed as follows:

|     | T6              | T7   | T8  | T10   | T12 | T16 | T20  | T25  |      |
|-----|-----------------|------|-----|-------|-----|-----|------|------|------|
| 4:1 | d(h7)           | 19   | 22  | 28    | 32  | 36  | 50   | 55   | 70   |
|     | E               | 38   | 50  | 62    | 62  | 75  | 100  | 105  | 105  |
|     | L               | 210  | 253 | 295   | 332 | 390 | 450  | 545  | 637  |
|     | L <sub>1</sub>  | 134  | 178 | 212.5 | 242 | 270 | 300  | 345  | 400  |
|     | L <sub>AB</sub> | 420  | 566 | 590   | 664 | 780 | 900  | 1090 | 1274 |
|     | r               | 6    | 6   | 8     | 10  | 10  | 14   | 16   | 20   |
| 5:1 | d(h7)           | 19   | 22  | 28    | 32  | 36  | 42   | 50   | 60   |
|     | E               | 38   | 50  | 62    | 62  | 75  | 90   | 100  | 105  |
|     | L               | 210  | 253 | 295   | 332 | 390 | 440  | 540  | 637  |
|     | L <sub>1</sub>  | 134  | 178 | 212.5 | 242 | 270 | 300  | 340  | 410  |
|     | L <sub>AB</sub> | 420  | 566 | 590   | 664 | 780 | 880  | 1080 | 1262 |
|     | r               | 6    | 6   | 8     | 10  | 10  | 12   | 14   | 18   |
| t   | 21.5            | 24.5 | 31  | 35    | 39  | 45  | 53.5 | 64   |      |



**INDUSTRY APPLICATION**  
 行业应用



**ABOUT VISION**  
 公司未来

面对未来，  
 我们充满信心，饱含激情！  
 Facing the future,  
 We are full of confidence, full of passion!